



## TECHNICAL GUIDE

### AFFINITY™ SERIES TWO-STAGE SPLIT SYSTEM HEAT Pumps

19 SEER – R-410A – SINGLE-PHASE  
2 TON TO 5 NOMINAL TON  
MODELS: YZT24 TO 60

FOR INSTALLATION IN ALL US REGIONS AND CANADA



Due to continuous product improvement, specifications are subject to change without notice.

Visit us on the web at

[www.simplygettingthejobdone.com](http://www.simplygettingthejobdone.com) and  
[www.york.com](http://www.york.com)

Additional rating information can be found at  
[www.ahridirectory.org](http://www.ahridirectory.org)

#### WARRANTY SUMMARY\*

Extended 10-Years limited parts warranty.

Extended Lifetime limited compressor warranty.

**Extended parts and compressor warranties** require online registration within 90 days of purchase for replacement or closing for new home construction.

\*Does not apply to R-22 models, 3-Phase models, or Internet sales.

See Limited Warranty certificate in User's Information Manual for details.

## DESCRIPTION

The Affinity™ Series YZT two-stage Heat Pumps are the outdoor section of a high efficiency comfort system. They are designed to be matched with a complete line of indoor sections. Matching air handlers are available for upflow, downflow and horizontal left or right applications to provide a complete system. Alternately, add-on coils are available for use with modular air handlers or four-way furnaces. Electric heaters and field installed accessories are also available as needed.

## FEATURES

- **Superior Coil Protection** – An easily removable two-piece steel extruded louver coil guard protects the tube-in-fin coil from debris and physical damage while making access for coil cleaning quick and simple.
- **Environmentally Friendly Refrigerant** – The next generation refrigerant R-410A delivers environmentally friendly performance with zero ozone depletion.
- **Durable Finish** – A high quality powder paint finish rated at 1000 hrs. salt spray provides the ultimate protection from corrosion and harmful UV rays, ensuring a long-lasting, high quality appearance.
- **QuietDrive™ System** – Features a combination of engineered, sound-neutralizing attributes such as a swept-wing fan blade, composite base pan, multi-density compressor cloak and two-stage compressor operation to reduce sound levels to that of a mere conversation.
- **ECM Fan Motor** – Dynamically adjusts speed in sync with the compressor stage to keep heat exchange in balance while minimizing power consumption and sound.
- **Swept Wing Fan** – A design adapted from aerospace engineering provides whisper-quiet operation by allowing air to flow smoothly and efficiently across the fan surface and edges.
- **Composite Base Pan** – The strong and durable composite base pan is corrosion resistant while adding strength, absorbing sound, and reducing vibration.
- **High-Efficiency Outdoor Coil** – An aluminum fin and copper tube outdoor coil provide easy cleaning, low restriction to airflow and efficient heat exchange.
- **Factory Installed Filter-Drier** – A corrosion resistant stainless steel, solid core liquid line filter-drier removes debris and moisture which can be harmful to the system.
- **Climate Set™** – provides pre-configured operating profiles the installing contractor can select during set-up to fine tune the system's operation for either Humid, Dry, or Normal climates. Additional fine-tune adjustments are always available to provide a custom comfort solution. (Feature available when a variable speed indoor air mover is utilized.)
- **Easy Service Access** – A large electrical box cover and a swing open electrical box provide superior full corner access to the inside of the unit for maintenance or service.
- **TXV Controls** – All indoor coils, whether in the cased CF/CM/XAH/XAF coil or in air handlers, utilize TXVs (Thermostatic Expansion Valves).
- **Communications Capable** – Designed to operate as a conventionally wired system or as a communicating system requiring only 4 thermostat wires between the outdoor and indoor units, the communicating system provides self-commissioning on start-up as well as the ability to check system status at the outdoor unit, thermostat, or remotely using the designated App.

- **Advanced System Control** – The proprietary Wi-Fi Hx™ thermostat interface is an integral part of this innovative system design. Using the Consumer App, consumers can monitor and adjust their system from anywhere in the world using a smart device. Contractors can use the Service App (with homeowner permission), to monitor the system remotely and make adjustments as needed. The system can be configured to provide alerts for emerging issues as well as items that require immediate attention.
- **Suction Accumulator** – Protects the compressor from liquid flood back.
- **Two Stage, Protected Scroll Compressor** – The compressor is solenoid operated for 67% and 100% capacity. A suction accumulator tank protects the compressor from harm.
- **Compressor Crank Case Heater** – Factory installed compressor crank case heater that warms the compressor sump. Crank case heater is cycled on and off as necessary by the unit defrost control board.
- **Compressor Sound Blanket** – Factory installed compressor sound blanket.
- **Agency Listed** – Safety certified by CSA to UL 1995 / CSA 22.2. Performance certified to ANSI/AHRI Standard 210/240 in accordance with the Unitary Small Equipment certification program.

**LIST OF SECTIONS**

**DESCRIPTION** .....1  
**FEATURES** .....1  
**LIST OF SECTIONS** .....2  
**NOMENCLATURE** .....2  
**DIMENSIONS** .....3  
**SYSTEM CHARGE FOR VARIOUS MATCHED SYSTEMS - N COIL 4**  
**SYSTEM CHARGE FOR VARIOUS MATCHED SYSTEMS - A COIL 5**  
**SYSTEM CAPACITY - Single Piece and Modular Air Handlers** ...6  
**SYSTEM CAPACITY — With High Efficiency Motor Furnaces** ..13  
**APPLICATIONS AND ACCESSORIES** .....85  
**SOUND POWER RATINGS - COOLING** .....85  
**SOUND POWER RATINGS - HEATING** .....85  
**MECHANICAL SPECIFICATIONS** .....86  
**TYPICAL INSTALLATION** .....87  
**TYPICAL FIELD WIRING** .....88  
**ALTERNATIVE INSTALLATION CLEARANCES** .....88  
**PERFORMANCE DATA - 2 TON** .....89  
**PERFORMANCE DATA - 3 TON** .....97  
**PERFORMANCE DATA - 4 TON** .....116  
**PERFORMANCE DATA - 5 TON** .....122

**NOMENCLATURE**

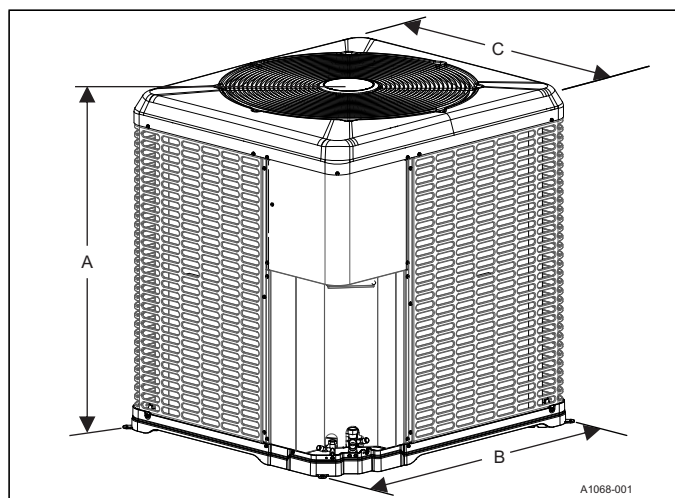
<b>BRAND</b>	<b>Y</b>	Y = York
<b>PRODUCT TYPE</b>	<b>Z</b>	X = Premium Heat Pump
<b>NOMINAL SERIES EFFICIENCY AND STAGING</b>	<b>T</b>	T = 19 SEER / Two-stage
<b>NOMINAL UNIT CAPACITY (MBH)</b>	<b>36</b>	24 = 2 ton 36 = 3 ton 48 = 4 ton 60 = 5 ton
<b>REFRIGERANT</b>	<b>B</b>	B = R-410A
<b>VOLTAGE (Voltage-Phase-Hertz)</b>	<b>2</b>	2 = 208/230-1-60
<b>GENERATION (MAJOR REVISION)</b>	<b>1</b>	1 = 1st generation 2 = 2nd generation
<b>FACTORY OPTION</b>	<b>S</b>	S = Standard (No Options)
<b>STYLE LETTER (MINOR REVISION) NOT USED FOR ORDERING</b>	<b>A</b>	A = Style A B = Style B

## PHYSICAL AND ELECTRICAL DATA

Model		YZT24B21S	YZT36B21S	YZT48B21S	YZT60B21S
Unit supply voltage		208-230 V, 1 $\phi$ , 60 Hz			
Normal voltage range <sup>1</sup> (V)		187 to 252			
Minimum circuit ampacity (A)		15.3	21.4	28.2	31.4
Maximum overcurrent device (A) <sup>2</sup>		25	35	45	50
Minimum overcurrent device (A) <sup>3</sup>		20	25	30	35
Compressor	Type <sup>4</sup>	Two-stage scroll	Two-stage scroll	Two-stage scroll	Two-stage scroll
	Rated load (A)	10.0	14.9	20.4	22.9
	Locked rotor (A)	62.9	84.2	122.1	147.2
Crankcase heater		Yes	Yes	Yes	Yes
Factory external discharge muffler		Yes	Yes	Yes	Yes
Hard start kit required with TXV <sup>5</sup>		No	No	No	No
Hard start kit part number (S1-2SA067****)		10106	10106	10106	10106
Fan diameter (in.)		24	26	26	26
Fan motor	Rated HP	1/3	1/3	1/3	1/3
	Rated load (A)	2.8	2.8	2.8	2.8
	Nominal RPM	640	830	830	830
	Nominal CFM	2,500	4,000	4,100	4,100
Coil	Face area (sq ft)	23.0	26.4	31.2	31.2
	Rows deep	1	2	2	2
	Fins per inch	22	18	18	18
Liquid refrigeration piping outdoor (field installed)		3/8	3/8	3/8	3/8
Vapor refrigeration piping outdoor (field installed) <sup>6</sup>		3/4	3/4	7/8	1 1/8 <sup>‡</sup>
Unit charge (lb - oz) <sup>7</sup>		6 - 7	12 - 9	16 - 5	17 - 7
Charge (oz/ft)		0.62	0.62	0.67	0.75
Operating weight (lb)		215	285	315	315

**Note:** These models are shipped with a Hard Start Kit installed at the factory.

- Rated in accordance with AHRI Standard 110-2012, utilization range A.
  - Dual element fuses or HACR circuit breaker. Maximum allowable overcurrent protection.
  - Dual element fuses or HACR circuit breaker. Minimum recommended overcurrent protection.
  - Rotary compressor models are limited to an equivalent length of refrigeration piping of 100 ft with no exceptions.
  - Refer to the *Hard Start Kit Accessory Installation Manual* for the hard start kit part number for each model. The hard start kit is a field installed accessory.
  - For applications with non-standard vapor line sizes, see the *APPLICATIONS AND ACCESSORIES* section.
  - The unit charge is correct for the outdoor unit, smallest matched indoor unit, and 15 ft of refrigerant tubing. For tubing lengths other than 15 ft, add or subtract the amount of refrigerant, using the difference in actual refrigeration piping length (not the equivalent length) multiplied by the per foot value.
- ‡ The adapter fitting must be field installed for the required 1 1/8 in. refrigeration piping.



## DIMENSIONS

Unit model	Dimensions (in.)			Refrigerant connection service valve size (in.)	
	A	B	C	Liquid	Vapor
YZT24B21S	39 1/2	35 1/4	31 3/4	3/8	3/4
YZT36B21S	39 1/2	38 1/4	31 1/2		
YZT48B21S	46 1/2	38 1/4	34 1/2		7/8
YZT60B21S	46 1/2	38 1/4	34 1/2		7/8 <sup>‡</sup>

‡ The adapter fitting must be field installed for the required 1 1/8 in. refrigeration piping.

### Notes:

- All dimensions are in inches and are subject to change without notice.
- The overall height is from the bottom of the base pan to the top of the fan guard.
- The overall length and width include screw heads.

**SYSTEM CHARGE FOR VARIOUS MATCHED SYSTEMS - N COIL**

Outdoor unit	YZT24B21S	YZT36B21S	YZT48B21S	YZT60B21S
Required indoor metering device <sup>1,2</sup>	BB1	BB1	BC1	BC1
Indoor unit <sup>3,4,5</sup>	Additional charge (oz)			
AE24B	0	—	—	—
AE30B	28	—	—	—
AE36(B,C)	28	4	—	—
AE42C	—	30	—	—
AE48(C,D)	—	18	—	—
AE60D	—	—	19	27
AVC24B	0	—	—	—
AVC30B	28	—	—	—
AVC36(B,C)	28	4	—	—
AVC42C	—	18	—	—
AVC48(C,D)	—	18	—	—
AVC60C	—	26	—	—
AVC60D	—	—	19	27
CF/CM/CU24(A,B)	0	—	—	—
CF/CM/CU30(A,B,C)	28	—	—	—
CF/CM/CU36(A,B,C)	31	4	—	—
CF/CM/CU42(B,C,D)	—	30	—	—
CF/CM/CU48(C,D)	—	18	—	—
CF/CM/CU60(C,D)	—	26	—	—
CF/CM64D	—	—	19	27

Note: All of the combinations shown in the above System Charge table require Advanced Main Air Circulating Fan indoor product. For approved coil-only matches, see the *SYSTEM CAPACITY - With High Efficiency Motor Furnaces* table.

1. For applications requiring a TXV, use S1-1TVM\*\*\* series kit.
2. Approved orifice(s) are shipped with the outdoor unit.
3. Systems matched with furnaces or air handlers not equipped with blower-off delays may require blower time delay.
4. Do not use CF coils in horizontal applications.
5. Charge adders shown above do not indicate that coils are rated for every application. See the performance data tables for actual performance for specified system matches. Obtain certified system ratings from [www.ahridirectory.org](http://www.ahridirectory.org).

## SYSTEM CHARGE FOR VARIOUS MATCHED SYSTEMS - A COIL

Outdoor unit	YZT24B21S	YZT36B21S	YZT48B21S	YZT60B21S
Required indoor metering device <sup>1,2</sup>	BB1	BC1	BC1	BC1
Indoor unit <sup>3,4,5</sup>	Additional charge (oz)			
XAFA30D	23	—	—	—
XAF/XAUB36D	23	0	—	—
XAFC36D	23	0	—	—
XAF/XAUC48F	—	17	—	—
XAFD48F	—	17	—	—
XAF/XAUC60G	—	48	—	—
XAF/XAUD60G	—	48	—	—
XAF(C,D)60H	—	—	0	—
XAFD60J	—	—	—	6
XAHC36D	—	7	—	—
XAHD48F	—	32	—	—
XAH(C,D)60G	—	25	—	—
XAHD60J	—	—	—	0

**Note:** Some of the combinations shown in this table require advanced main air-circulating fan indoor products. For approved coil-only matches, see the *SYSTEM CAPACITY - With High Efficiency Motor Furnaces* table.

- For applications that require a TXV, use S1-1TVM\*\*\* series kit.
- Use a TXV kit with these indoor units to obtain system performance.
- Systems matched with furnaces or air handlers not equipped with blower-off delays may require blower time delay.
- Do not use XAF or XAU coils in horizontal applications. Do not use XAH coils in upflow or downflow applications.
- Charge adders shown above do not indicate that coils are rated for every application. See the performance data tables for actual performance for specified system matches. Obtain certified system ratings from [www.ahridirectory.org](http://www.ahridirectory.org).

### CHARGING

- Check the factory unit charge listed on the unit nameplate to verify the refrigerant charge for the outdoor unit, the smallest matched indoor unit, and the 15 ft of interconnecting refrigeration piping.
- Verify the indoor metering device and additional charge required for the specific matched indoor unit in the system using the table above.
- Add additional charge for the amount of interconnecting refrigeration piping greater than 15 ft at the rate specified in the *Physical and electrical data* table.
- For installations requiring additional charge, weigh in refrigerant for the specific matching indoor unit and actual refrigeration piping length.
- After weighing in the charge adders for the matched indoor unit and refrigeration piping, verify the system operation against the temperatures and pressures in the charging chart for the outdoor unit. Locate the charging charts on the outdoor unit and also in the *Service Data Application Guide* on [www.simplygettingthejobdone.com](http://www.simplygettingthejobdone.com). Follow the subcool or superheat charging procedure in the *Installation Manual* according to the type of indoor metering device in the system, and allow 10 min after each charge adjustment for the system operation to stabilize. Record the charge adjustment made to match the charging chart.
- Permanently stamp the unit nameplate with the **total system charge** defined as follows: total system charge = base charge (as shipped) + charge adder for matched indoor unit + charge adder for actual refrigeration piping length + charge adjustments to match the charging chart.

## SYSTEM CAPACITY - Single Piece and Modular Air Handlers

UNIT MODEL	AIR HANDLER		COIL MODEL <sup>1</sup>	Stage	RATED CFM	COOLING <sup>2</sup>				HEATING <sup>3</sup>					
	MODEL	WIDTH				NET MBH		SEER	EER	NET MBH		HSPF IV	HSPF V	COP	
						TOTAL	SENS.			47°F OD	17°F OD			47°F OD	17°F OD
YZT24B21S	AE24BX21	17.5	—	1	675	19.8	15.9	17.00	26.50	16.1	—	—	—	4.24	—
YZT24B21S	AE24BX21	17.5	—	2	850	22.4	19.0	—	13.50	23.2	14.4	9.00	7.90	3.96	2.58
YZT24B21S	AE30BX21	17.5	—	1	625	19.6	15.3	17.00	26.35	15.7	—	—	—	3.94	—
YZT24B21S	AE30BX21	17.5	—	2	750	22.6	17.8	—	14.00	23.2	14.3	9.00	7.75	3.88	2.54
YZT24B21S	AE36CX21	21.0	—	1	725	20.8	17.0	19.00	28.85	16.0	—	—	—	4.38	—
YZT24B21S	AE36CX21	21.0	—	2	875	24.0	20.2	—	15.00	22.6	14.1	10.00	8.25	4.16	2.76
YZT24B21S	AVC24BX21	17.5	—	1	550	19.1	14.1	17.00	26.55	16.1	—	—	—	4.06	—
YZT24B21S	AVC24BX21	17.5	—	2	850	22.2	18.8	—	13.50	23.2	14.4	9.00	7.85	3.94	2.58
YZT24B21S	AVC30BX21	17.5	—	1	625	19.6	15.3	17.00	26.40	15.7	—	—	—	3.94	—
YZT24B21S	AVC30BX21	17.5	—	2	850	22.8	19.2	—	14.00	23.2	14.4	9.00	7.75	3.94	2.54
YZT24B21S	AVC36BX21	17.5	—	1	650	20.4	15.9	18.00	30.30	16.0	—	—	—	4.26	—
YZT24B21S	AVC36BX21	17.5	—	2	925	23.8	20.6	—	14.00	22.8	14.3	9.50	8.10	4.08	2.68
YZT24B21S	AVC36CX21	21.0	—	1	625	21.2	17.6	19.00	29.15	15.6	—	—	—	4.24	—
YZT24B21S	AVC36CX21	21.0	—	2	900	24.0	19.9	—	15.00	22.2	13.7	10.00	8.35	4.02	2.68
YZT24B21S	ME08BN21	17.5	CF/CM24B	1	625	19.5	15.2	17.00	26.45	16.2	—	—	—	4.14	—
YZT24B21S	ME08BN21	17.5	CF/CM24B	2	800	22.0	18.2	—	13.50	23.2	14.5	9.00	7.80	3.88	2.52
YZT24B21S	ME08BN21	17.5	CF/CM30B	1	625	19.6	15.3	17.00	26.40	15.7	—	—	—	3.94	—
YZT24B21S	ME08BN21	17.5	CF/CM30B	2	800	22.8	18.6	—	14.00	23.2	14.4	9.00	7.75	3.90	2.54
YZT24B21S	ME08BN21	17.5	CF/CM36B	1	625	20.2	15.5	18.00	30.10	16.0	—	—	—	4.20	—
YZT24B21S	ME08BN21	17.5	CF/CM36B	2	800	23.6	18.9	—	14.00	22.8	14.3	9.60	8.10	4.02	2.66
YZT24B21S	ME08BN21	17.5	XAF/XAUB36D	1	775	21.0	16.4	17.50	26.50	16.6	—	—	—	4.54	—
YZT24B21S	ME08BN21	17.5	XAF/XAUB36D	2	900	23.6	16.3	—	14.00	22.6	14.5	9.75	7.55	4.20	2.76
YZT24B21S	ME08BN21	17.5	XAHB36D	1	550	19.2	13.1	17.00	25.30	15.5	—	—	—	4.04	—
YZT24B21S	ME08BN21	17.5	XAHB36D	2	875	23.0	15.7	—	14.00	21.6	14.0	9.50	7.60	4.04	2.72
YZT24B21S	ME12BN21	17.5	CF/CM24B	1	700	19.9	16.3	18.00	26.70	16.1	—	—	—	4.30	—
YZT24B21S	ME12BN21	17.5	CF/CM24B	2	875	22.4	19.3	—	14.00	23.2	14.4	9.50	7.95	3.98	2.60
YZT24B21S	ME12BN21	17.5	CF/CM30B	1	700	20.0	16.4	17.00	27.35	15.7	—	—	—	4.04	—
YZT24B21S	ME12BN21	17.5	CF/CM30B	2	875	23.0	19.6	—	14.00	23.2	14.3	9.00	7.85	3.98	2.58
YZT24B21S	ME12BN21	17.5	CF/CM36B	1	700	20.8	16.7	18.00	28.15	16.0	—	—	—	4.32	—
YZT24B21S	ME12BN21	17.5	CF/CM36B	2	875	23.8	19.9	—	14.00	22.8	14.2	9.60	8.15	4.10	2.70
YZT24B21S	ME12CN21	21.0	CF/CM24C	1	650	20.2	15.7	18.00	27.30	16.5	—	—	—	3.44	—
YZT24B21S	ME12CN21	21.0	CF/CM24C	2	850	22.4	19.0	—	14.00	24.0	13.8	8.50	7.50	3.44	2.64
YZT24B21S	ME12CN21	21.0	CF/CM30C	1	650	20.0	15.7	17.00	27.45	15.7	—	—	—	3.94	—
YZT24B21S	ME12CN21	21.0	CF/CM30C	2	850	23.0	19.4	—	14.00	23.4	14.4	9.00	7.75	3.92	2.52
YZT24B21S	ME12CN21	21.0	CF/CM36C	1	750	20.8	17.3	19.00	28.60	15.5	—	—	—	4.22	—
YZT24B21S	ME12CN21	21.0	CF/CM36C	2	850	23.8	19.7	—	15.00	22.2	13.7	10.00	8.30	4.00	2.66
YZT24B21S	ME12CN21	21.0	XAFC36D	1	575	19.9	14.3	17.50	26.35	16.0	—	—	—	4.10	—

## SYSTEM CAPACITY - Single Piece and Modular Air Handlers (Continued)

UNIT MODEL	AIR HANDLER		COIL MODEL <sup>1</sup>	Stage	RATED CFM	COOLING <sup>2</sup>				HEATING <sup>3</sup>					
	MODEL	WIDTH				NET MBH		SEER	EER	NET MBH		HSPF IV	HSPF V	COP	
						TOTAL	SENS.			47°F OD	17°F OD			47°F OD	17°F OD
YZT24B21S	ME12CN21	21.0	XAFC36D	2	825	23.2	16.1	—	14.50	22.2	14.3	9.50	7.50	4.14	2.74
YZT24B21S	ME12CN21	21.0	XAHC36D	1	575	19.5	13.5	17.50	25.85	15.6	—	—	—	4.14	—
YZT24B21S	ME12CN21	21.0	XAHC36D	2	800	22.6	15.5	—	14.00	21.4	13.8	9.50	7.60	4.00	2.72
YZT24B21S	ME12CN41	21.0	XAFC36D	1	550	19.7	14.0	17.50	25.95	16.0	—	—	—	4.02	—
YZT24B21S	ME12CN41	21.0	XAFC36D	2	825	23.2	16.1	—	14.50	22.4	14.4	9.25	7.35	4.12	2.74
YZT24B21S	ME12CN41	21.0	XAHC36D	1	525	19.0	12.8	17.00	25.00	15.5	—	—	—	3.98	—
YZT24B21S	ME12CN41	21.0	XAHC36D	2	800	22.6	15.5	—	14.00	21.4	13.8	9.50	7.50	4.00	2.72
YZT24B21S	MVC08BN21	17.5	CF/CM24B	1	525	19.0	13.7	17.00	26.40	16.1	—	—	—	3.96	—
YZT24B21S	MVC08BN21	17.5	CF/CM24B	2	800	22.0	18.2	—	13.50	23.2	14.4	9.00	7.80	3.88	2.54
YZT24B21S	MVC08BN21	17.5	CF/CM30B	1	525	19.2	13.8	17.00	26.55	15.7	—	—	—	3.76	—
YZT24B21S	MVC08BN21	17.5	CF/CM30B	2	800	22.8	18.6	—	14.00	23.2	14.4	9.00	7.70	3.90	2.54
YZT24B21S	MVC08BN21	17.5	CF/CM36B	1	525	19.9	14.1	18.00	27.95	15.9	—	—	—	4.04	—
YZT24B21S	MVC08BN21	17.5	CF/CM36B	2	800	23.6	18.9	—	14.00	22.6	14.2	9.60	8.05	4.04	2.66
YZT24B21S	MVC12BN21	17.5	CF/CM24B	1	625	19.7	15.3	17.00	27.00	16.1	—	—	—	4.20	—
YZT24B21S	MVC12BN21	17.5	CF/CM24B	2	875	22.4	19.3	—	13.50	23.2	14.4	9.00	7.95	3.98	2.58
YZT24B21S	MVC12BN21	17.5	CF/CM30B	1	625	19.6	15.3	17.00	26.70	15.7	—	—	—	3.94	—
YZT24B21S	MVC12BN21	17.5	CF/CM30B	2	875	23.0	19.6	—	14.00	23.2	14.3	9.00	7.80	3.96	2.58
YZT24B21S	MVC12BN21	17.5	CF/CM36B	1	625	20.4	15.6	18.00	30.55	16.0	—	—	—	4.22	—
YZT24B21S	MVC12BN21	17.5	CF/CM36B	2	875	23.8	19.9	—	14.00	22.8	14.2	9.60	8.15	4.10	2.70
YZT24B21S	MVC12BN21	17.5	XAF/XAUB36D	1	650	20.4	15.1	18.00	26.95	16.2	—	—	—	4.30	—
YZT24B21S	MVC12BN21	17.5	XAF/XAUB36D	2	950	23.8	16.2	—	14.00	22.6	14.5	9.75	7.55	4.30	2.80
YZT24B21S	MVC12BN21	17.5	XAHB36D	1	650	20.0	14.3	17.50	26.45	15.8	—	—	—	4.38	—
YZT24B21S	MVC12BN21	17.5	XAHB36D	2	950	23.2	15.8	—	14.00	21.8	14.1	10.00	7.95	4.14	2.76
YZT24B21S	MVC12CN21	21.0	CF/CM24C	1	675	19.8	15.9	18.00	27.30	16.1	—	—	—	4.32	—
YZT24B21S	MVC12CN21	21.0	CF/CM24C	2	875	22.4	19.3	—	14.00	23.0	14.3	9.60	8.00	4.02	2.62
YZT24B21S	MVC12CN21	21.0	CF/CM30C	1	675	20.0	16.0	17.00	28.00	15.7	—	—	—	4.06	—
YZT24B21S	MVC12CN21	21.0	CF/CM30C	2	875	23.0	19.6	—	13.50	23.2	14.2	9.00	7.90	4.02	2.60
YZT24B21S	MVC12CN21	21.0	XAFC36D	1	650	20.4	15.1	18.00	27.10	16.2	—	—	—	4.32	—
YZT24B21S	MVC12CN21	21.0	XAFC36D	2	875	23.4	16.2	—	14.50	22.4	14.3	9.75	7.65	4.24	2.80
YZT24B21S	MVC12CN21	21.0	XAHC36D	1	650	20.2	14.5	17.50	26.75	15.8	—	—	—	4.42	—
YZT24B21S	MVC12CN21	21.0	XAHC36D	2	875	23.0	15.7	—	14.00	21.6	13.9	10.00	7.95	4.14	2.78
YZT36B21S	AE36BX21	17.5	—	1	1025	29.0	23.8	17.00	24.30	28.8	—	—	—	4.54	—
YZT36B21S	AE36BX21	17.5	—	2	1125	35.2	27.4	—	13.00	35.2	21.8	9.50	8.35	3.78	2.68
YZT36B21S	AE36CX21	21.0	—	1	1050	29.0	24.4	17.00	25.15	28.6	—	—	—	4.86	—
YZT36B21S	AE36CX21	21.0	—	2	1200	35.6	28.4	—	13.00	35.0	21.8	9.50	8.45	4.00	2.68
YZT36B21S	AE42CX21	21.0	—	1	1000	30.2	24.2	18.00	26.50	24.2	—	—	—	3.96	—
YZT36B21S	AE42CX21	21.0	—	2	1175	35.2	28.0	—	14.00	35.4	21.8	9.60	8.25	4.02	2.68
YZT36B21S	AE48CX21	21.0	—	1	1100	30.6	25.6	18.00	26.70	24.2	—	—	—	3.90	—

## SYSTEM CAPACITY - Single Piece and Modular Air Handlers (Continued)

UNIT MODEL	AIR HANDLER		COIL MODEL <sup>1</sup>	Stage	RATED CFM	COOLING <sup>2</sup>				HEATING <sup>3</sup>					
	MODEL	WIDTH				NET MBH		SEER	EER	NET MBH		HSPF IV	HSPF V	COP	
						TOTAL	SENS.			47°F OD	17°F OD			47°F OD	17°F OD
YZT36B21S	AE48CX21	21.0	—	2	1250	36.0	29.0	—	14.00	35.4	21.8	9.60	8.25	3.98	2.68
YZT36B21S	AE48DX21	24.5	—	1	1100	30.4	25.6	18.25	27.05	24.0	—	—	—	4.10	—
YZT36B21S	AE48DX21	24.5	—	2	1300	36.0	29.8	—	14.00	35.0	21.8	10.00	8.30	4.24	2.68
YZT36B21S	AVC36BX21	17.5	—	1	700	27.8	19.5	17.00	25.00	28.6	—	—	—	4.00	—
YZT36B21S	AVC36BX21	17.5	—	2	1025	33.8	25.6	—	13.00	35.2	21.8	9.50	8.25	3.70	2.68
YZT36B21S	AVC36CX21	21.0	—	1	825	28.6	21.4	17.00	25.85	28.8	—	—	—	4.40	—
YZT36B21S	AVC36CX21	21.0	—	2	1175	34.6	27.6	—	13.00	35.2	21.8	9.50	8.35	3.82	2.68
YZT36B21S	AVC42CX21	21.0	—	1	725	28.8	20.4	18.00	26.45	24.4	—	—	—	3.40	—
YZT36B21S	AVC42CX21	21.0	—	2	1100	34.8	27.0	—	14.00	35.6	21.8	9.50	8.10	3.90	2.68
YZT36B21S	AVC48CX21	21.0	—	1	725	28.8	20.2	18.00	26.55	24.4	—	—	—	3.40	—
YZT36B21S	AVC48CX21	21.0	—	2	1125	34.8	27.2	—	14.00	35.4	21.8	9.50	8.10	3.92	2.68
YZT36B21S	AVC48DX21	24.5	—	1	775	29.2	21.2	18.00	26.95	24.2	—	—	—	3.52	—
YZT36B21S	AVC48DX21	24.5	—	2	1150	36.0	28.0	—	14.00	35.4	21.8	9.60	8.15	3.98	2.68
YZT36B21S	AVC60CX21	21.0	—	1	800	30.0	21.6	19.00	26.90	24.4	—	—	—	3.46	—
YZT36B21S	AVC60CX21	21.0	—	2	1200	35.8	28.4	—	14.00	35.2	22.4	10.00	8.50	4.20	2.82
YZT36B21S	ME12BN21	17.5	CF42B	1	875	29.8	22.4	17.00	25.30	28.6	—	—	—	3.42	—
YZT36B21S	ME12BN21	17.5	CF42B	2	1050	34.0	26.0	—	13.00	35.6	21.8	9.00	8.10	3.54	2.68
YZT36B21S	ME12BN21	17.5	XAF/XAUB36D	1	625	27.0	17.5	16.50	23.50	23.4	—	—	—	2.92	—
YZT36B21S	ME12BN21	17.5	XAF/XAUB36D	2	1200	34.0	23.2	—	13.00	34.0	22.2	8.20	6.75	3.50	2.36
YZT36B21S	ME12BN41	17.5	XAF/XAUB36D	1	825	28.4	19.8	17.00	23.95	24.0	—	—	—	3.18	—
YZT36B21S	ME12BN41	17.5	XAF/XAUB36D	2	1250	34.2	23.4	—	13.00	34.0	22.2	8.20	6.70	3.52	2.36
YZT36B21S	ME12CN21	21.0	CF/CM36C	1	875	28.4	22.0	17.00	25.20	28.8	—	—	—	4.58	—
YZT36B21S	ME12CN21	21.0	CF/CM36C	2	1000	34.8	25.6	—	13.00	35.0	21.8	9.50	8.40	3.88	2.68
YZT36B21S	ME12CN21	21.0	XAF/XAUC48F	1	800	28.2	19.3	17.00	24.00	23.8	—	—	—	3.22	—
YZT36B21S	ME12CN21	21.0	XAF/XAUC48F	2	1200	34.4	23.2	—	13.50	34.2	22.0	8.55	6.95	3.70	2.46
YZT36B21S	ME12CN21	21.0	XAF/XAUC60G	1	825	29.2	20.4	18.00	25.00	23.8	—	—	—	3.28	—
YZT36B21S	ME12CN21	21.0	XAF/XAUC60G	2	1225	35.0	23.8	—	13.50	33.8	21.2	8.55	6.70	3.68	2.44
YZT36B21S	ME12CN21	21.0	XAFC36D	1	950	29.4	21.4	17.00	24.35	24.4	—	—	—	3.36	—
YZT36B21S	ME12CN21	21.0	XAFC36D	2	1250	34.2	23.4	—	13.00	34.0	22.2	8.55	6.80	3.56	2.38
YZT36B21S	ME12CN21	21.0	XAHC36D	1	925	29.0	20.8	16.50	23.35	24.0	—	—	—	3.26	—
YZT36B21S	ME12CN21	21.0	XAHC36D	2	1250	34.6	23.4	—	13.00	34.0	21.8	8.20	6.55	3.50	2.26
YZT36B21S	ME12CN21	21.0	XAHC48F	1	825	28.4	19.6	17.50	24.35	24.2	—	—	—	3.28	—
YZT36B21S	ME12CN21	21.0	XAHC48F	2	1200	34.2	23.6	—	13.00	34.2	21.6	8.55	6.75	3.64	2.40
YZT36B21S	ME12CN21	21.0	XAHC60G	1	850	29.2	20.6	18.00	25.05	23.8	—	—	—	3.32	—
YZT36B21S	ME12CN21	21.0	XAHC60G	2	1225	34.8	24.0	—	13.50	33.8	21.8	8.55	6.85	3.68	2.50
YZT36B21S	ME12CN41	21.0	XAF/XAUC48F	1	800	28.0	19.1	17.00	23.90	23.8	—	—	—	3.22	—
YZT36B21S	ME12CN41	21.0	XAF/XAUC48F	2	1225	34.4	23.0	—	13.50	34.2	22.0	8.55	6.90	3.74	2.46
YZT36B21S	ME12CN41	21.0	XAF/XAUC60G	1	1000	30.4	22.4	18.00	25.10	24.2	—	—	—	3.52	—



## SYSTEM CAPACITY - Single Piece and Modular Air Handlers (Continued)

UNIT MODEL	AIR HANDLER		COIL MODEL <sup>1</sup>	Stage	RATED CFM	COOLING <sup>2</sup>				HEATING <sup>3</sup>					
	MODEL	WIDTH				NET MBH		SEER	EER	NET MBH		HSPF IV	HSPF V	COP	
						TOTAL	SENS.			47°F OD	17°F OD			47°F OD	17°F OD
YZT36B21S	ME12CN41	21.0	XAF/XAUC60G	2	1250	35.2	24.0	—	13.50	33.8	21.2	8.55	6.65	3.72	2.46
YZT36B21S	ME12CN41	21.0	XAFC36D	1	950	29.4	21.4	17.00	24.30	24.4	—	—	—	3.36	—
YZT36B21S	ME12CN41	21.0	XAFC36D	2	1275	34.4	23.6	—	13.00	34.0	22.2	8.55	6.75	3.58	2.40
YZT36B21S	ME12CN41	21.0	XAHC36D	1	925	29.0	20.8	16.50	23.25	24.0	—	—	—	3.26	—
YZT36B21S	ME12CN41	21.0	XAHC36D	2	1250	34.6	23.4	—	13.00	34.0	21.8	8.20	6.55	3.50	2.26
YZT36B21S	ME12CN41	21.0	XAHC48F	1	825	28.4	19.6	17.50	24.35	24.2	—	—	—	3.30	—
YZT36B21S	ME12CN41	21.0	XAHC48F	2	1225	34.2	23.6	—	13.50	34.2	21.4	8.55	6.80	3.66	2.42
YZT36B21S	ME12CN41	21.0	XAHC60G	1	875	29.4	21.0	18.00	25.25	23.8	—	—	—	3.38	—
YZT36B21S	ME12CN41	21.0	XAHC60G	2	1250	35.0	24.2	—	13.50	33.8	21.8	8.75	6.90	3.70	2.50
YZT36B21S	ME14DN21	24.5	CF/CM42D	1	900	29.8	22.8	18.00	25.90	28.2	—	—	—	3.94	—
YZT36B21S	ME14DN21	24.5	CF/CM42D	2	1025	34.0	25.8	—	13.00	35.4	21.8	9.60	8.25	3.68	2.68
YZT36B21S	ME14DN21	24.5	CF/CM48D	1	900	31.0	23.4	18.00	28.15	22.4	—	—	—	4.66	—
YZT36B21S	ME14DN21	24.5	CF/CM48D	2	1025	35.4	26.4	—	14.00	31.8	18.9	10.00	9.35	4.84	3.18
YZT36B21S	ME14DN21	24.5	CF/CM60D	1	900	30.0	23.0	19.00	27.05	24.0	—	—	—	4.06	—
YZT36B21S	ME14DN21	24.5	CF/CM60D	2	1025	34.8	26.2	—	14.00	35.0	22.4	10.00	8.70	4.22	2.82
YZT36B21S	ME14DN21	24.5	XAF/XAUD60G	1	1000	30.4	22.4	18.00	25.30	24.2	—	—	—	3.54	—
YZT36B21S	ME14DN21	24.5	XAF/XAUD60G	2	1175	34.8	23.6	—	13.50	33.6	21.2	8.55	6.80	3.68	2.44
YZT36B21S	ME14DN21	24.5	XAFD48F	1	1000	29.2	21.2	17.50	24.40	24.2	—	—	—	3.50	—
YZT36B21S	ME14DN21	24.5	XAFD48F	2	1175	34.4	23.2	—	13.50	34.2	22.0	8.75	6.85	3.72	2.46
YZT36B21S	ME14DN21	24.5	XAHD48F	1	1000	29.6	21.6	18.00	24.55	24.8	—	—	—	3.58	—
YZT36B21S	ME14DN21	24.5	XAHD48F	2	1350	34.8	24.0	—	13.00	34.4	21.4	8.55	6.70	3.70	2.42
YZT36B21S	ME14DN21	21.0	XAHD60G	1	1000	30.0	22.2	18.00	24.90	24.0	—	—	—	3.54	—
YZT36B21S	ME14DN21	21.0	XAHD60G	2	1175	34.6	23.8	—	13.50	33.6	21.6	8.75	6.90	3.64	2.48
YZT36B21S	ME14DN41	24.5	XAF/XAUD60G	1	1000	30.4	22.4	18.00	25.10	24.2	—	—	—	3.54	—
YZT36B21S	ME14DN41	24.5	XAF/XAUD60G	2	1175	34.8	23.6	—	13.50	33.6	21.2	8.55	6.80	3.68	2.44
YZT36B21S	ME14DN41	24.5	XAFD48F	1	975	29.0	20.8	17.50	24.25	24.2	—	—	—	3.46	—
YZT36B21S	ME14DN41	24.5	XAFD48F	2	1350	35.0	23.4	—	13.50	34.4	22.2	8.75	7.05	3.80	2.50
YZT36B21S	ME14DN41	24.5	XAHD48F	1	975	29.4	21.2	17.50	24.15	24.8	—	—	—	3.52	—
YZT36B21S	ME14DN41	24.5	XAHD48F	2	1150	34.0	23.4	—	13.00	34.0	21.6	8.55	6.85	3.62	2.40
YZT36B21S	ME14DN41	21.0	XAHD60G	1	975	29.8	21.8	17.50	24.70	24.0	—	—	—	3.50	—
YZT36B21S	ME14DN41	21.0	XAHD60G	2	1350	35.2	24.2	—	13.00	34.0	22.0	8.75	7.00	3.76	2.52
YZT36B21S	ME16CN21	21.0	CF/CM36C	1	950	29.0	23.0	17.00	25.20	28.8	—	—	—	4.44	—
YZT36B21S	ME16CN21	21.0	CF/CM36C	2	1100	34.4	26.8	—	13.00	35.2	21.8	9.60	8.35	3.80	2.68
YZT36B21S	ME16CN21	21.0	CF/CM42C	1	950	30.0	23.4	18.00	25.55	28.6	—	—	—	3.62	—
YZT36B21S	ME16CN21	21.0	CF/CM42C	2	1100	34.4	26.8	—	13.00	35.8	21.8	9.00	8.15	3.46	2.68
YZT36B21S	ME16CN21	21.0	CF/CM48C	1	950	30.0	23.6	18.00	26.35	24.2	—	—	—	3.82	—
YZT36B21S	ME16CN21	21.0	CF/CM48C	2	1100	34.8	27.0	—	14.00	35.6	21.8	9.60	8.20	3.92	2.68
YZT36B21S	ME16CN21	21.0	CF/CM60C	1	950	30.0	23.6	18.00	26.45	23.8	—	—	—	4.10	—

## SYSTEM CAPACITY - Single Piece and Modular Air Handlers (Continued)

UNIT MODEL	AIR HANDLER		COIL MODEL <sup>1</sup>	Stage	RATED CFM	COOLING <sup>2</sup>				HEATING <sup>3</sup>					
	MODEL	WIDTH				NET MBH		SEER	EER	NET MBH		HSPF IV	HSPF V	COP	
						TOTAL	SENS.			47°F OD	17°F OD			47°F OD	17°F OD
YZT36B21S	ME16CN21	21.0	CF/CM60C	2	1100	35.8	27.4	—	14.00	34.8	22.4	10.00	8.75	4.26	2.82
YZT36B21S	ME16CN21	21.0	XAF/XAUC48F	1	875	28.4	19.8	17.00	24.00	24.0	—	—	—	3.30	—
YZT36B21S	ME16CN21	21.0	XAF/XAUC48F	2	1325	34.8	23.2	—	13.00	34.4	22.2	8.55	6.85	3.76	2.48
YZT36B21S	ME16CN21	21.0	XAF/XAUC60G	1	900	29.6	21.2	17.50	24.95	24.0	—	—	—	3.38	—
YZT36B21S	ME16CN21	21.0	XAF/XAUC60G	2	1325	35.4	23.8	—	13.50	34.0	21.4	8.55	6.80	3.72	2.44
YZT36B21S	ME16CN21	21.0	XAFC36D	1	875	28.8	20.4	17.00	24.25	24.2	—	—	—	3.26	—
YZT36B21S	ME16CN21	21.0	XAFC36D	2	1300	34.4	23.6	—	13.00	34.0	22.2	8.55	6.90	3.58	2.40
YZT36B21S	ME16CN21	21.0	XAHC36D	1	850	28.6	20.0	16.50	23.30	23.6	—	—	—	3.14	—
YZT36B21S	ME16CN21	21.0	XAHC36D	2	1275	34.8	23.6	—	13.00	34.2	21.8	8.20	6.60	3.50	2.26
YZT36B21S	ME16CN21	21.0	XAHC48F	1	900	29.0	20.6	17.50	24.30	24.4	—	—	—	3.40	—
YZT36B21S	ME16CN21	21.0	XAHC48F	2	1325	34.6	23.8	—	13.00	34.4	21.6	8.55	6.85	3.68	2.42
YZT36B21S	ME16CN21	21.0	XAHC60G	1	925	29.6	21.4	18.00	24.90	24.0	—	—	—	3.42	—
YZT36B21S	ME16CN21	21.0	XAHC60G	2	1125	34.4	23.8	—	13.50	33.6	21.6	8.55	6.85	3.60	2.48
YZT36B21S	ME16CN41	21.0	XAF/XAUC48F	1	900	28.6	20.2	17.00	24.10	24.0	—	—	—	3.34	—
YZT36B21S	ME16CN41	21.0	XAF/XAUC48F	2	1350	35.0	23.4	—	13.50	34.4	22.2	8.75	6.85	3.80	2.48
YZT36B21S	ME16CN41	21.0	XAF/XAUC60G	1	925	29.8	21.4	18.00	25.15	24.0	—	—	—	3.42	—
YZT36B21S	ME16CN41	21.0	XAF/XAUC60G	2	1350	35.6	23.8	—	13.50	34.0	21.4	8.55	6.75	3.74	2.46
YZT36B21S	ME16CN41	21.0	XAFC36D	1	875	28.8	20.4	17.00	24.25	24.2	—	—	—	3.26	—
YZT36B21S	ME16CN41	21.0	XAFC36D	2	1325	34.6	23.6	—	13.00	34.0	22.2	8.55	6.85	3.62	2.42
YZT36B21S	ME16CN41	21.0	XAHC36D	1	875	28.8	20.4	16.50	23.45	23.8	—	—	—	3.18	—
YZT36B21S	ME16CN41	21.0	XAHC36D	2	1300	34.8	23.6	—	13.00	34.2	21.8	8.20	6.55	3.54	2.28
YZT36B21S	ME16CN41	21.0	XAHC48F	1	925	29.0	20.6	17.50	24.45	24.6	—	—	—	3.44	—
YZT36B21S	ME16CN41	21.0	XAHC48F	2	1350	34.8	24.0	—	13.00	34.4	21.4	8.55	6.80	3.72	2.42
YZT36B21S	ME16CN41	21.0	XAHC60G	1	950	29.8	21.8	18.00	25.15	24.0	—	—	—	3.48	—
YZT36B21S	ME16CN41	21.0	XAHC60G	2	1375	35.4	24.2	—	13.00	34.0	22.0	8.75	7.05	3.78	2.52
YZT36B21S	MVC12BN21	17.5	CF/CM36B	1	700	27.8	19.5	17.00	25.20	28.6	—	—	—	4.02	—
YZT36B21S	MVC12BN21	17.5	CF/CM36B	2	1025	33.8	25.6	—	13.00	35.2	21.8	9.50	8.25	3.72	2.68
YZT36B21S	MVC12BN21	17.5	CF42B	1	675	27.6	19.1	18.00	25.15	28.4	—	—	—	3.54	—
YZT36B21S	MVC12BN21	17.5	CF42B	2	975	33.6	25.0	—	13.00	35.0	21.8	9.50	8.15	3.74	2.68
YZT36B21S	MVC12BN21	17.5	XAF/XAUB36D	1	800	28.4	19.7	17.00	24.25	23.8	—	—	—	3.16	—
YZT36B21S	MVC12BN21	17.5	XAF/XAUB36D	2	1225	34.0	23.2	—	13.00	34.0	22.2	8.20	6.70	3.52	2.38
YZT36B21S	MVC12CN21	21.0	CF/CM36C	1	850	28.4	21.6	18.00	25.50	28.6	—	—	—	4.58	—
YZT36B21S	MVC12CN21	21.0	CF/CM36C	2	1000	34.8	25.8	—	14.00	35.0	21.8	9.60	8.40	3.90	2.68
YZT36B21S	MVC12CN21	21.0	CF/CM42C	1	850	28.4	21.6	18.00	24.90	28.0	—	—	—	4.00	—
YZT36B21S	MVC12CN21	21.0	CF/CM42C	2	1000	34.0	25.4	—	13.00	35.0	21.8	9.50	8.30	3.76	2.68
YZT36B21S	MVC12CN21	21.0	CF/CM48C	1	775	29.2	21.0	18.00	27.65	24.2	—	—	—	3.58	—
YZT36B21S	MVC12CN21	21.0	CF/CM48C	2	1175	35.2	28.0	—	14.00	35.4	21.8	9.60	8.15	4.08	2.66
YZT36B21S	MVC12CN21	21.0	CF/CM60C	1	775	30.0	21.4	19.00	27.75	24.6	—	—	—	3.16	—

## SYSTEM CAPACITY - Single Piece and Modular Air Handlers (Continued)

UNIT MODEL	AIR HANDLER		COIL MODEL <sup>1</sup>	Stage	RATED CFM	COOLING <sup>2</sup>				HEATING <sup>3</sup>					
	MODEL	WIDTH				NET MBH		SEER	EER	NET MBH		HSPF IV	HSPF V	COP	
						TOTAL	SENS.			47°F OD	17°F OD			47°F OD	17°F OD
YZT36B21S	MVC12CN21	21.0	CF/CM60C	2	1175	36.0	28.4	—	14.00	36.0	22.4	9.50	8.35	3.68	2.82
YZT36B21S	MVC12CN21	21.0	XAF/XAUC48F	1	775	28.0	19.0	17.50	24.45	23.6	—	—	—	3.22	—
YZT36B21S	MVC12CN21	21.0	XAF/XAUC48F	2	1200	34.4	23.2	—	13.50	34.0	22.0	8.55	6.90	3.74	2.48
YZT36B21S	MVC12CN21	21.0	XAF/XAUC60G	1	775	29.0	19.9	18.00	25.35	23.6	—	—	—	3.24	—
YZT36B21S	MVC12CN21	21.0	XAF/XAUC60G	2	1200	35.0	23.8	—	13.50	33.6	21.0	8.55	6.70	3.72	2.46
YZT36B21S	MVC12CN21	21.0	XAFC36D	1	725	27.8	18.7	17.50	24.55	23.6	—	—	—	3.08	—
YZT36B21S	MVC12CN21	21.0	XAFC36D	2	1400	34.8	23.8	—	13.00	34.0	22.2	8.55	6.85	3.68	2.44
YZT36B21S	MVC12CN21	21.0	XAHC36D	1	725	27.8	18.6	16.50	23.85	23.0	—	—	—	2.96	—
YZT36B21S	MVC12CN21	21.0	XAHC36D	2	1400	35.2	23.8	—	13.00	34.4	21.8	8.20	6.65	3.60	2.32
YZT36B21S	MVC12CN21	21.0	XAHC48F	1	775	28.2	19.2	18.00	24.85	24.0	—	—	—	3.24	—
YZT36B21S	MVC12CN21	21.0	XAHC48F	2	1200	34.2	23.6	—	13.50	34.0	21.4	8.55	6.80	3.68	2.44
YZT36B21S	MVC12CN21	21.0	XAHC60G	1	775	28.6	19.7	18.00	25.50	23.6	—	—	—	3.26	—
YZT36B21S	MVC12CN21	21.0	XAHC60G	2	1175	34.6	23.8	—	13.50	33.6	21.6	8.55	6.85	3.68	2.50
YZT36B21S	MVC14DN21	24.5	CF/CM42D	1	700	28.8	20.0	18.00	26.45	28.6	—	—	—	3.26	—
YZT36B21S	MVC14DN21	24.5	CF/CM42D	2	1050	34.2	26.2	—	13.00	35.4	21.8	9.00	8.05	3.60	2.68
YZT36B21S	MVC14DN21	24.5	CF/CM48D	1	650	28.2	19.1	18.00	26.50	24.4	—	—	—	3.26	—
YZT36B21S	MVC14DN21	24.5	CF/CM48D	2	1000	35.6	26.2	—	14.00	35.2	21.8	9.50	8.10	3.96	2.68
YZT36B21S	MVC14DN21	24.5	CF/CM60D	1	800	29.6	21.6	19.00	27.85	23.8	—	—	—	3.98	—
YZT36B21S	MVC14DN21	24.5	CF/CM60D	2	1250	36.0	29.4	—	14.00	34.6	22.4	10.00	8.70	4.44	2.82
YZT36B21S	MVC14DN21	24.5	XAF/XAUD60G	1	800	29.2	20.2	18.00	25.50	23.6	—	—	—	3.28	—
YZT36B21S	MVC14DN21	24.5	XAF/XAUD60G	2	1250	35.2	24.0	—	14.00	33.6	21.0	8.55	6.80	3.76	2.48
YZT36B21S	MVC14DN21	24.5	XAFD48F	1	875	28.6	20.0	18.00	25.05	23.8	—	—	—	3.38	—
YZT36B21S	MVC14DN21	24.5	XAFD48F	2	1425	35.4	23.6	—	13.50	34.2	22.0	9.00	7.20	3.92	2.54
YZT36B21S	MVC14DN21	24.5	XAHD48F	1	875	28.8	20.2	18.00	25.00	24.2	—	—	—	3.42	—
YZT36B21S	MVC14DN21	24.5	XAHD48F	2	1425	35.2	24.2	—	13.00	34.2	21.2	8.55	6.65	3.82	2.48
YZT36B21S	MVC14DN21	21.0	XAHD60G	1	800	28.8	20.0	18.00	25.05	23.6	—	—	—	3.28	—
YZT36B21S	MVC14DN21	21.0	XAHD60G	2	1250	34.8	24.0	—	13.50	33.6	21.6	8.55	6.80	3.72	2.52
YZT36B21S	MVC16CN21	21.0	CF/CM36C	1	800	28.6	21.2	18.00	25.50	24.4	—	—	—	3.62	—
YZT36B21S	MVC16CN21	21.0	CF/CM36C	2	1200	34.6	28.0	—	14.00	35.2	21.8	9.60	8.20	3.78	2.68
YZT36B21S	MVC16CN21	21.0	CF/CM42C	1	800	28.8	21.0	18.00	25.95	28.8	—	—	—	3.24	—
YZT36B21S	MVC16CN21	21.0	CF/CM42C	2	1200	34.8	28.2	—	13.00	35.2	21.8	9.00	8.05	3.90	2.68
YZT36B21S	MVC16CN21	21.0	CF/CM60C	1	825	30.0	22.0	19.00	27.45	24.0	—	—	—	3.80	—
YZT36B21S	MVC16CN21	21.0	CF/CM60C	2	1275	36.0	29.4	—	14.00	35.2	22.4	10.00	8.65	4.20	2.82
YZT36B21S	MVC16CN21	21.0	XAF/XAUC48F	1	825	28.4	19.6	17.50	24.45	23.8	—	—	—	3.28	—
YZT36B21S	MVC16CN21	21.0	XAF/XAUC48F	2	1275	34.8	23.4	—	13.50	34.2	22.0	8.55	6.75	3.80	2.50
YZT36B21S	MVC16CN21	21.0	XAF/XAUC60G	1	825	29.2	20.4	18.00	25.35	23.6	—	—	—	3.30	—
YZT36B21S	MVC16CN21	21.0	XAF/XAUC60G	2	1275	35.4	23.8	—	13.50	33.8	21.2	8.55	6.85	3.76	2.48
YZT36B21S	MVC16CN21	21.0	XAFC36D	1	825	28.6	20.0	17.50	24.60	23.8	—	—	—	3.22	—

## SYSTEM CAPACITY - Single Piece and Modular Air Handlers (Continued)

UNIT MODEL	AIR HANDLER		COIL MODEL <sup>1</sup>	Stage	RATED CFM	COOLING <sup>2</sup>				HEATING <sup>3</sup>					
	MODEL	WIDTH				NET MBH		SEER	EER	NET MBH		HSPF IV	HSPF V	COP	
						TOTAL	SENS.			47°F OD	17°F OD			47°F OD	17°F OD
YZT36B21S	MVC16CN21	21.0	XAFC36D	2	1275	34.6	23.8	—	13.50	33.8	22.0	8.55	6.85	3.62	2.42
YZT36B21S	MVC16CN21	21.0	XAHC36D	1	850	28.6	20.0	17.00	23.90	23.6	—	—	—	3.16	—
YZT36B21S	MVC16CN21	21.0	XAHC36D	2	1325	35.0	23.6	—	13.00	34.0	21.8	8.20	6.50	3.58	2.30
YZT36B21S	MVC16CN21	21.0	XAHC48F	1	825	28.6	19.8	18.00	24.80	24.2	—	—	—	3.32	—
YZT36B21S	MVC16CN21	21.0	XAHC48F	2	1275	34.6	23.8	—	13.50	34.0	21.4	8.55	6.85	3.72	2.44
YZT36B21S	MVC16CN21	21.0	XAHC60G	1	775	28.6	19.7	18.00	25.25	23.6	—	—	—	3.24	—
YZT36B21S	MVC16CN21	21.0	XAHC60G	2	1150	34.6	23.8	—	13.50	33.4	21.6	8.55	6.90	3.66	2.50
YZT36B21S	MVC20DN21	24.5	CF/CM42D	1	825	29.6	21.8	18.00	27.00	28.8	—	—	—	3.30	—
YZT36B21S	MVC20DN21	24.5	CF/CM42D	2	1175	35.4	28.2	—	13.00	35.6	21.8	9.00	8.05	3.44	2.68
YZT36B21S	MVC20DN21	24.5	CF/CM48D	1	825	29.6	21.8	18.00	27.40	24.2	—	—	—	3.80	—
YZT36B21S	MVC20DN21	24.5	CF/CM48D	2	1175	35.4	28.2	—	14.00	35.2	21.8	9.60	8.25	4.10	2.68
YZT36B21S	MVC20DN21	24.5	CF/CM60D	1	825	30.0	22.0	19.00	27.80	24.4	—	—	—	3.24	—
YZT36B21S	MVC20DN21	24.5	CF/CM60D	2	1175	36.0	28.4	—	14.00	36.0	22.4	9.60	8.35	3.72	2.82
YZT48B21S	AE60DX21	24.5	—	1	1200	38.0	29.4	17.00	24.15	30.6	—	—	—	3.72	—
YZT48B21S	AE60DX21	24.5	—	2	1375	46.5	34.8	—	13.00	46.5	30.4	9.60	8.65	4.06	2.98
YZT48B21S	AVC60DX21	24.5	—	1	1075	37.6	28.0	17.00	24.55	30.4	—	—	—	3.66	—
YZT48B21S	AVC60DX21	24.5	—	2	1400	46.5	35.2	—	13.00	46.5	30.6	9.60	8.55	4.02	2.94
YZT48B21S	ME16CN21	21.0	XAFC60H	1	1325	39.5	30.6	16.00	22.90	32.2	—	—	—	3.68	—
YZT48B21S	ME16CN21	21.0	XAFC60H	2	1575	45.5	31.4	—	12.50	45.5	28.4	8.55	7.10	3.56	2.58
YZT48B21S	ME16CN21	21.0	XAHC60H	1	1325	41.5	30.6	17.00	24.15	35.0	—	—	—	5.72	—
YZT48B21S	ME16CN21	21.0	XAHC60H	2	1575	47.0	32.6	—	12.50	47.0	30.4	9.50	7.60	3.72	2.68
YZT48B21S	ME20DN21	24.5	CF/CM64D	1	1300	38.5	30.8	17.00	24.10	30.6	—	—	—	3.78	—
YZT48B21S	ME20DN21	24.5	CF/CM64D	2	1475	47.0	36.2	—	13.00	46.5	30.4	9.60	8.70	4.10	3.00
YZT48B21S	ME20DN21	24.5	XAHD60H	1	1200	41.0	29.4	17.00	25.05	33.4	—	—	—	4.86	—
YZT48B21S	ME20DN21	24.5	XAHD60H	2	1650	47.5	32.8	—	13.00	47.0	30.2	9.50	7.75	3.82	2.74
YZT48B21S	MVC16CN21	21.0	XAFC60H	1	1075	38.5	27.8	17.00	24.10	31.0	—	—	—	3.48	—
YZT48B21S	MVC16CN21	21.0	XAFC60H	2	1725	46.0	31.6	—	12.50	45.5	28.6	8.55	7.15	3.66	2.62
YZT48B21S	MVC16CN21	21.0	XAHC60H	1	1025	39.5	27.0	17.00	25.55	31.6	—	—	—	3.90	—
YZT48B21S	MVC16CN21	21.0	XAHC60H	2	1650	47.5	32.8	—	13.00	47.0	30.2	9.00	7.35	3.80	2.72
YZT48B21S	MVC20DN21	24.5	CF/CM64D	1	925	36.6	23.8	17.00	24.20	30.5	—	—	—	3.50	—
YZT48B21S	MVC20DN21	24.5	CF/CM64D	2	1375	46.5	32.1	—	13.00	46.5	30.6	9.60	8.55	3.98	2.94
YZT48B21S	MVC20DN21	24.5	XAHD60H	1	1225	41.0	29.6	17.00	25.75	33.6	—	—	—	5.14	—
YZT48B21S	MVC20DN21	24.5	XAHD60H	2	1900	48.0	32.6	—	12.50	47.5	30.6	9.50	7.60	3.88	2.72
YZT60B21S	AE60DX21	24.5	—	1	1375	42.5	31.8	16.50	20.70	37.4	—	—	—	3.68	—
YZT60B21S	AE60DX21	24.5	—	2	1550	56.5	41.0	—	13.00	57.5	36.4	9.60	8.15	3.86	2.62
YZT60B21S	AVC60DX21	24.5	—	1	1050	41.0	27.8	16.50	21.00	37.0	—	—	—	3.50	—
YZT60B21S	AVC60DX21	24.5	—	2	1600	56.5	41.0	—	12.50	57.5	37.0	9.60	8.35	3.82	2.72
YZT60B21S	ME20DN21	24.5	CF/CM64D	1	1325	42.5	31.2	16.50	21.30	37.2	—	—	—	3.70	—

### SYSTEM CAPACITY - Single Piece and Modular Air Handlers (Continued)

UNIT MODEL	AIR HANDLER		COIL MODEL <sup>1</sup>	Stage	RATED CFM	COOLING <sup>2</sup>				HEATING <sup>3</sup>					
	MODEL	WIDTH				NET MBH		SEER	EER	NET MBH		HSPF IV	HSPF V	COP	
						TOTAL	SENS.			47°F OD	17°F OD			47°F OD	17°F OD
YZT60B21S	ME20DN21	24.5	CF/CM64D	2	1675	57.0	42.5	—	13.00	57.5	36.6	9.60	8.50	3.92	2.76
YZT60B21S	ME20DN21	24.5	XAFD60J	1	1450	47.0	31.8	16.00	22.70	40.0	—	—	—	3.64	—
YZT60B21S	ME20DN21	24.5	XAFD60J	2	1900	55.5	36.8	—	12.00	56.5	36.0	8.55	6.80	3.66	2.46
YZT60B21S	ME20DN21	24.5	XAHD60J	1	1200	46.0	31.6	16.00	23.05	40.0	—	—	—	3.52	—
YZT60B21S	ME20DN21	24.5	XAHD60J	2	1650	55.5	40.5	—	12.50	58.0	37.0	9.00	7.40	3.70	2.52
YZT60B21S	ME20DN41	24.5	XAFD60J	1	1400	46.5	31.2	15.75	22.40	40.0	—	—	—	3.58	—
YZT60B21S	ME20DN41	24.5	XAFD60J	2	1875	55.0	36.2	—	12.00	56.5	36.0	8.55	6.85	3.64	2.44
YZT60B21S	ME20DN41	24.5	XAHD60J	1	1600	48.0	34.0	15.50	22.15	40.5	—	—	—	3.50	—
YZT60B21S	ME20DN41	24.5	XAHD60J	2	1900	56.0	37.6	—	12.00	57.0	35.8	8.20	6.60	3.40	2.22
YZT60B21S	MVC20DN21	24.5	CF/CM64D	1	1025	45.2	28.9	16.50	23.20	37.0	—	—	—	3.40	—
YZT60B21S	MVC20DN21	24.5	CF/CM64D	2	1600	56.5	39.0	—	13.00	57.5	36.8	9.60	8.35	3.70	2.72
YZT60B21S	MVC20DN21	24.5	XAFD60J	1	1225	45.5	29.6	16.25	23.25	39.5	—	—	—	3.44	—
YZT60B21S	MVC20DN21	24.5	XAFD60J	2	1900	55.5	36.8	—	12.00	56.5	36.0	8.55	6.95	3.66	2.46
YZT60B21S	MVC20DN21	24.5	XAHD60J	1	1225	46.5	32.2	16.00	23.70	40.0	—	—	—	3.58	—
YZT60B21S	MVC20DN21	24.5	XAHD60J	2	1925	56.5	43.0	—	12.00	58.5	36.4	8.55	6.65	3.78	2.42

Rated in accordance with DOE test procedures (Federal Register 12-27-79 and 3-18-88) and ANSI/AHRI Standard 210/240.

- CM coils available with a factory installed horizontal drain pan. See price pages for specific model number.
  - Cooling MBH based on 80°F entering air temperature, 50% RH (Relative Humidity), and rated air flow.  
**EER** (Energy Efficiency Ratio) is the total cooling output in BTUs at 95°F outdoor ambient divided by the total electric power in watt-hours at those conditions.  
**SEER** (Seasonal Energy Efficiency Ratio) is the total cooling output in BTUs during a normal annual usage period for cooling divided by the total electric power input in watt-hours during the same period.
  - Heating MBH based on AHRI standards of 70°F DB (Dry Bulb) entering indoor air, 72% RH (Relative Humidity) outdoor air with 25 ft of interconnecting piping and no supplemental electric heat operation.  
**HSPF** (Heating Seasonal Performance Factor) is the total heating output during a normal annual usage period for heating divided by the total electric power input during the same period.  
**COP** (Coefficient of Performance) equals Heating MBH output divided by (total KW input x 3.412).
- = Not applicable.

### SYSTEM CAPACITY — With High Efficiency Motor Furnaces<sup>1</sup>

UNIT MODEL	FURNACE MODEL	WIDTH	COIL MODEL <sup>2</sup>	Stage	COOLING				HEATING						
					RATED CFM	NET MBH		SEER	EER	NET MBH		HSPF IV	HSPF V	COP	
						TOTAL	SENS.			47°F OD	17°F OD			47°F OD	17°F OD
YZT24B21S	TL8E060A12UH11	17.5	XAF/XAUB36D	1	675	20.4	15.3	17.50	26.20	16.4	—	—	—	4.24	—
YZT24B21S	TL8E060A12UH11	17.5	XAF/XAUB36D	2	850	23.2	16.1	—	13.50	22.6	14.6	9.50	7.50	4.06	2.70
YZT24B21S	TL8E060A12UH11	14.5	XAFA30D	1	675	20.4	15.3	17.00	25.60	16.4	—	—	—	4.22	—
YZT24B21S	TL8E060A12UH11	14.5	XAFA30D	2	825	23.0	15.9	—	13.50	22.6	14.6	9.25	7.30	4.02	2.68
YZT24B21S	TL8E060A12UH11	17.5	XAHB36D	1	650	20.0	14.3	17.00	25.75	15.9	—	—	—	4.28	—
YZT24B21S	TL8E060A12UH11	17.5	XAHB36D	2	825	22.6	15.4	—	13.50	21.6	14.1	9.50	7.65	3.94	2.66
YZT24B21S	TL9E060B12UH11	17.5	XAF/XAUB36D	1	700	20.6	15.6	17.00	25.50	16.5	—	—	—	4.28	—
YZT24B21S	TL9E060B12UH11	17.5	XAF/XAUB36D	2	850	23.2	16.1	—	13.50	22.6	14.6	9.25	7.30	4.02	2.68
YZT24B21S	TL9E060B12UH11	21.0	XAFC36D	1	675	20.4	15.3	17.00	25.80	16.4	—	—	—	4.24	—
YZT24B21S	TL9E060B12UH11	21.0	XAFC36D	2	850	23.2	16.1	—	13.50	22.6	14.6	9.25	7.30	4.02	2.68
YZT24B21S	TL9E060B12UH11	17.5	XAHB36D	1	625	19.8	14.0	16.50	24.95	15.9	—	—	—	4.16	—

**SYSTEM CAPACITY — With High Efficiency Motor Furnaces<sup>1</sup> (Continued)**

UNIT MODEL	FURNACE MODEL	WIDTH	COIL MODEL <sup>2</sup>	Stage	COOLING					HEATING					
					RATED CFM	NET MBH		SEER	EER	NET MBH		HSPF IV	HSPF V	COP	
						TOTAL	SENS.			47°F OD	17°F OD			47°F OD	17°F OD
YZT24B21S	TL9E060B12UH11	17.5	XAHB36D	2	825	22.4	15.2	—	13.00	21.8	14.1	9.50	7.55	3.88	2.64
YZT24B21S	TL9E060B12UH11	21.0	XAHC36D	1	650	20.0	14.3	17.00	25.35	15.9	—	—	—	4.26	—
YZT24B21S	TL9E060B12UH11	21.0	XAHC36D	2	850	22.6	15.4	—	13.50	21.8	14.1	9.50	7.65	3.94	2.66
YZT24B21S	TM8E040A12MP11	17.5	XAF/XAUB36D	1	725	20.8	15.9	17.50	26.50	16.5	—	—	—	4.38	—
YZT24B21S	TM8E040A12MP11	17.5	XAF/XAUB36D	2	875	23.4	16.2	—	13.50	22.6	14.5	9.50	7.50	4.12	2.72
YZT24B21S	TM8E040A12MP11	14.5	XAFA30D	1	650	20.2	14.9	17.00	25.70	16.4	—	—	—	4.16	—
YZT24B21S	TM8E040A12MP11	14.5	XAFA30D	2	825	23.0	15.9	—	13.50	22.6	14.6	9.25	7.40	4.02	2.68
YZT24B21S	TM8E040A12MP11	17.5	XAHB36D	1	650	20.0	14.3	17.00	25.55	15.9	—	—	—	4.26	—
YZT24B21S	TM8E040A12MP11	17.5	XAHB36D	2	725	22.2	15.2	—	13.50	21.4	13.8	9.50	7.55	3.86	2.66
YZT24B21S	TM8E060A12MP11	17.5	XAF/XAUB36D	1	775	21.0	16.4	17.50	26.20	16.7	—	—	—	4.50	—
YZT24B21S	TM8E060A12MP11	17.5	XAF/XAUB36D	2	875	23.4	16.2	—	13.50	22.6	14.6	9.50	7.45	4.12	2.72
YZT24B21S	TM8E060A12MP11	14.5	XAFA30D	1	725	20.6	15.7	17.00	25.45	16.6	—	—	—	4.32	—
YZT24B21S	TM8E060A12MP11	14.5	XAFA30D	2	825	23.0	15.9	—	13.50	22.6	14.6	9.50	7.50	4.02	2.68
YZT24B21S	TM8E080B12MP11	17.5	XAF/XAUB36D	1	750	20.8	16.0	17.50	26.15	16.6	—	—	—	4.44	—
YZT24B21S	TM8E080B12MP11	17.5	XAF/XAUB36D	2	875	23.2	16.0	—	13.50	22.6	14.6	9.50	7.50	4.10	2.70
YZT24B21S	TM8E080B12MP11	21.0	XAFC36D	1	750	20.8	16.0	17.50	26.15	16.6	—	—	—	4.44	—
YZT24B21S	TM8E080B12MP11	21.0	XAFC36D	2	900	23.4	16.2	—	13.50	22.6	14.6	9.50	7.45	4.14	2.72
YZT24B21S	TM8E080C16MP11	21.0	XAFC36D	1	800	21.2	16.7	17.50	26.50	16.7	—	—	—	4.58	—
YZT24B21S	TM8E080C16MP11	21.0	XAFC36D	2	925	23.6	16.3	—	13.50	22.6	14.5	9.75	7.50	4.22	2.76
YZT24B21S	TM8E100B12MP11	17.5	XAF/XAUB36D	1	725	20.8	15.9	17.50	26.20	16.5	—	—	—	4.38	—
YZT24B21S	TM8E100B12MP11	17.5	XAF/XAUB36D	2	825	23.2	16.1	—	13.50	22.4	14.5	9.50	7.35	4.06	2.70
YZT24B21S	TM8E100B12MP11	21.0	XAFC36D	1	725	20.8	15.9	17.50	26.20	16.5	—	—	—	4.38	—
YZT24B21S	TM8E100B12MP11	21.0	XAFC36D	2	825	23.2	16.1	—	13.50	22.4	14.5	9.50	7.35	4.06	2.70
YZT24B21S	TM8E100C16MP11	21.0	XAFC36D	1	800	21.2	16.7	18.00	26.70	16.7	—	—	—	4.60	—
YZT24B21S	TM8E100C16MP11	21.0	XAFC36D	2	925	23.6	16.3	—	13.50	22.6	14.5	9.75	7.50	4.22	2.76
YZT24B21S	TM8E120C16MP11	21.0	XAFC36D	1	800	21.2	16.7	17.50	26.65	16.7	—	—	—	4.60	—
YZT24B21S	TM8E120C16MP11	21.0	XAFC36D	2	925	23.6	16.3	—	13.50	22.6	14.5	9.75	7.50	4.22	2.76
YZT24B21S	TM8V060A12MP12C	14.5	CF/CM/CU24A	1	575	19.4	14.5	17.00	25.90	16.2	—	—	—	4.02	—
YZT24B21S	TM8V060A12MP12C	14.5	CF/CM/CU24A	2	800	21.8	18.0	—	13.00	23.4	14.6	9.00	7.70	3.80	2.48
YZT24B21S	TM8V060A12MP12C	14.5	CF/CM/CU24B	1	625	19.6	15.2	17.00	26.20	16.1	—	—	—	4.16	—
YZT24B21S	TM8V060A12MP12C	14.5	CF/CM/CU24B	2	875	22.2	19.1	—	13.50	23.2	14.5	9.00	7.85	3.90	2.54
YZT24B21S	TM8V060A12MP12C	14.5	CF/CM/CU30A	1	625	19.5	15.2	16.00	25.55	15.8	—	—	—	3.88	—
YZT24B21S	TM8V060A12MP12C	14.5	CF/CM/CU30A	2	875	22.6	19.3	—	13.00	23.6	14.6	9.00	7.70	3.84	2.50
YZT24B21S	TM8V060A12MP12C	14.5	CF/CM/CU30B	1	625	19.5	15.2	17.00	26.00	15.8	—	—	—	3.90	—
YZT24B21S	TM8V060A12MP12C	14.5	CF/CM/CU30B	2	875	22.8	19.5	—	13.50	23.4	14.5	9.00	7.75	3.90	2.54
YZT24B21S	TM8V060A12MP12C	14.5	CF/CM/CU36B	1	625	20.2	15.5	18.00	29.65	16.0	—	—	—	4.18	—
YZT24B21S	TM8V060A12MP12C	14.5	CF/CM/CU36B	2	875	23.6	19.7	—	14.00	23.0	14.4	9.60	8.05	4.02	2.66

SYSTEM CAPACITY — With High Efficiency Motor Furnaces<sup>1</sup> (Continued)

UNIT MODEL	FURNACE MODEL	WIDTH	COIL MODEL <sup>2</sup>	Stage	COOLING					HEATING					
					RATED CFM	NET MBH		SEER	EER	NET MBH		HSPF IV	HSPF V	COP	
						TOTAL	SENS.			47°F OD	17°F OD			47°F OD	17°F OD
YZT24B21S	TM8V060A12MP12C	14.5	CF/CM36A	1	625	20.2	15.5	18.00	29.30	16.1	—	—	—	4.16	—
YZT24B21S	TM8V060A12MP12C	14.5	CF/CM36A	2	875	23.6	19.7	—	14.00	23.0	14.5	9.50	8.00	3.96	2.62
YZT24B21S	TM8V080B12MP12C	17.5	CF/CM/CU24C	1	600	19.3	14.8	17.00	25.70	16.1	—	—	—	4.10	—
YZT24B21S	TM8V080B12MP12C	17.5	CF/CM/CU24C	2	875	22.2	19.1	—	13.00	23.4	14.6	9.00	7.80	3.86	2.52
YZT24B21S	TM8V080B12MP12C	17.5	CF/CM/CU30B	1	550	19.2	14.1	16.00	25.30	15.8	—	—	—	3.76	—
YZT24B21S	TM8V080B12MP12C	17.5	CF/CM/CU30B	2	825	22.6	18.7	—	13.00	23.2	14.5	9.00	7.70	3.82	2.52
YZT24B21S	TM8V080B12MP12C	17.5	CF/CM/CU30C	1	550	19.2	14.1	17.00	25.45	15.8	—	—	—	3.76	—
YZT24B21S	TM8V080B12MP12C	17.5	CF/CM/CU30C	2	825	22.6	18.7	—	13.50	23.2	14.5	9.00	7.75	3.82	2.54
YZT24B21S	TM8V080B12MP12C	17.5	CF/CM/CU36B	1	550	20.0	14.4	18.00	27.10	16.0	—	—	—	4.02	—
YZT24B21S	TM8V080B12MP12C	17.5	CF/CM/CU36B	2	825	23.4	19.0	—	14.00	23.0	14.4	9.50	7.95	3.96	2.62
YZT24B21S	TM8V080B12MP12C	17.5	CF/CM/CU36C	1	550	20.0	14.5	18.00	27.30	16.0	—	—	—	4.04	—
YZT24B21S	TM8V080B12MP12C	17.5	CF/CM/CU36C	2	825	23.6	19.2	—	14.00	22.8	14.4	9.50	8.00	3.98	2.62
YZT24B21S	TM8V080B12MP12C	17.5	XAF/XAUB36D	1	550	19.6	13.9	17.00	25.40	16.0	—	—	—	3.98	—
YZT24B21S	TM8V080B12MP12C	17.5	XAF/XAUB36D	2	825	23.0	15.9	—	13.50	22.6	14.6	9.25	7.30	4.02	2.68
YZT24B21S	TM8V080B12MP12C	17.5	XAHB36D	1	550	19.2	13.1	16.50	24.70	15.6	—	—	—	4.02	—
YZT24B21S	TM8V080B12MP12C	17.5	XAHB36D	2	825	22.4	15.2	—	13.00	21.8	14.1	9.50	7.60	3.90	2.64
YZT24B21S	TM8V080B12MP12C	21.0	XAHC36D	1	550	19.2	13.1	16.50	24.85	15.6	—	—	—	4.02	—
YZT24B21S	TM8V080B12MP12C	21.0	XAHC36D	2	825	22.6	15.4	—	13.50	21.6	14.1	9.50	7.55	3.92	2.66
YZT24B21S	TM8V080C16MP12C	21.0	CF/CM/CU24C	1	625	19.6	15.2	17.00	26.60	16.1	—	—	—	4.18	—
YZT24B21S	TM8V080C16MP12C	21.0	CF/CM/CU24C	2	875	22.4	19.3	—	13.50	23.2	14.4	9.00	7.90	3.96	2.58
YZT24B21S	TM8V080C16MP12C	21.0	CF/CM/CU30C	1	625	19.6	15.3	17.00	26.35	15.7	—	—	—	3.92	—
YZT24B21S	TM8V080C16MP12C	21.0	CF/CM/CU30C	2	875	22.8	19.4	—	14.00	23.4	14.4	9.00	7.80	3.94	2.56
YZT24B21S	TM8V080C16MP12C	21.0	CF/CM/CU36C	1	625	20.4	15.6	18.00	30.20	16.0	—	—	—	4.20	—
YZT24B21S	TM8V080C16MP12C	21.0	CF/CM/CU36C	2	875	23.8	19.9	—	14.00	22.8	14.3	9.60	8.10	4.08	2.68
YZT24B21S	TM8V100C16MP12C	21.0	CF/CM/CU24C	1	625	19.6	15.2	17.00	26.60	16.1	—	—	—	4.18	—
YZT24B21S	TM8V100C16MP12C	21.0	CF/CM/CU24C	2	875	22.4	19.3	—	13.50	23.2	14.4	9.00	7.90	3.96	2.58
YZT24B21S	TM8V100C16MP12C	21.0	CF/CM/CU30C	1	625	19.6	15.3	17.00	26.35	15.7	—	—	—	3.92	—
YZT24B21S	TM8V100C16MP12C	21.0	CF/CM/CU30C	2	875	22.8	19.4	—	14.00	23.4	14.4	9.00	7.80	3.94	2.56
YZT24B21S	TM8V100C16MP12C	21.0	CF/CM/CU36C	1	625	20.4	15.6	18.00	30.20	16.0	—	—	—	4.20	—
YZT24B21S	TM8V100C16MP12C	21.0	CF/CM/CU36C	2	875	23.8	19.9	—	14.00	22.8	14.3	9.60	8.10	4.08	2.68
YZT24B21S	TM8Y060A12MP11	17.5	XAF/XAUB36D	1	675	20.4	15.3	17.50	26.10	16.4	—	—	—	4.26	—
YZT24B21S	TM8Y060A12MP11	17.5	XAF/XAUB36D	2	925	23.4	16.2	—	13.50	22.8	14.7	9.50	7.45	4.12	2.70
YZT24B21S	TM8Y060A12MP11	14.5	XAFA30D	1	650	20.2	14.9	17.00	25.65	16.3	—	—	—	4.18	—
YZT24B21S	TM8Y060A12MP11	14.5	XAFA30D	2	875	23.2	16.0	—	13.50	22.8	14.7	9.25	7.40	4.02	2.66
YZT24B21S	TM8Y060A12MP11	17.5	XAHB36D	1	650	20.0	14.3	17.00	25.55	15.9	—	—	—	4.28	—
YZT24B21S	TM8Y060A12MP11	17.5	XAHB36D	2	900	22.8	15.5	—	13.00	22.0	14.3	9.25	7.35	3.96	2.66
YZT24B21S	TM8Y080B12MP11	17.5	XAF/XAUB36D	1	675	20.4	15.3	17.50	26.05	16.4	—	—	—	4.26	—
YZT24B21S	TM8Y080B12MP11	17.5	XAF/XAUB36D	2	825	23.2	16.1	—	13.50	22.4	14.5	9.50	7.50	4.06	2.70

SYSTEM CAPACITY — With High Efficiency Motor Furnaces<sup>1</sup> (Continued)

UNIT MODEL	FURNACE MODEL	WIDTH	COIL MODEL <sup>2</sup>	Stage	COOLING					HEATING					
					RATED CFM	NET MBH		SEER	EER	NET MBH		HSPF IV	HSPF V	COP	
						TOTAL	SENS.			47°F OD	17°F OD			47°F OD	17°F OD
YZT24B21S	TM8Y080B12MP11	21.0	XAFC36D	1	675	20.4	15.3	17.50	26.10	16.4	—	—	—	4.28	—
YZT24B21S	TM8Y080B12MP11	21.0	XAFC36D	2	825	23.2	16.1	—	13.50	22.4	14.5	9.50	7.50	4.06	2.70
YZT24B21S	TM8Y080B12MP11	17.5	XAHB36D	1	650	20.0	14.3	17.00	25.45	15.9	—	—	—	4.28	—
YZT24B21S	TM8Y080B12MP11	17.5	XAHB36D	2	800	22.4	15.3	—	13.50	21.6	14.0	9.50	7.65	3.92	2.68
YZT24B21S	TM8Y080C16MP11	21.0	XAFC36D	1	725	20.8	15.9	18.00	26.85	16.4	—	—	—	4.46	—
YZT24B21S	TM8Y080C16MP11	21.0	XAFC36D	2	925	23.6	16.3	—	13.50	22.6	14.6	9.75	7.65	4.20	2.76
YZT24B21S	TM9E026A08MP12	17.5	XAF/XAUB36D	1	625	20.0	14.6	16.50	24.90	16.4	—	—	—	4.06	—
YZT24B21S	TM9E026A08MP12	17.5	XAF/XAUB36D	2	850	22.8	15.7	—	13.00	22.8	14.9	9.00	7.20	3.90	2.60
YZT24B21S	TM9E026A08MP12	14.5	XAFA30D	1	525	19.5	13.6	16.50	24.95	16.0	—	—	—	3.88	—
YZT24B21S	TM9E026A08MP12	14.5	XAFA30D	2	825	22.8	15.7	—	12.50	22.8	14.9	9.00	7.15	3.84	2.58
YZT24B21S	TM9E026A08MP12	17.5	XAHB36D	1	575	19.3	13.3	16.00	24.20	15.8	—	—	—	4.00	—
YZT24B21S	TM9E026A08MP12	17.5	XAHB36D	2	850	22.4	15.2	—	12.50	22.0	14.4	9.00	7.10	3.80	2.58
YZT24B21S	TM9E040A10MP11	14.5	CF/CM/CU24A	1	675	19.3	15.6	15.00	22.60	16.6	—	—	—	3.90	—
YZT24B21S	TM9E040A10MP11	14.5	CF/CM/CU24A	2	775	21.4	17.5	—	12.00	23.8	15.0	8.50	7.55	3.64	2.40
YZT24B21S	TM9E040A10MP11	14.5	CF/CM/CU24B	1	700	19.5	15.9	15.00	23.10	16.5	—	—	—	4.00	—
YZT24B21S	TM9E040A10MP11	14.5	CF/CM/CU24B	2	825	21.8	18.2	—	12.00	23.6	14.8	8.50	7.70	3.70	2.46
YZT24B21S	TM9E040A10MP11	14.5	CF/CM/CU30A	1	675	19.7	15.7	15.00	23.25	16.1	—	—	—	3.72	—
YZT24B21S	TM9E040A10MP11	14.5	CF/CM/CU30A	2	775	22.0	17.7	—	12.00	23.8	14.9	8.50	7.50	3.62	2.40
YZT24B21S	TM9E040A10MP11	14.5	CF/CM/CU30B	1	700	19.7	16.1	15.00	23.65	16.1	—	—	—	3.78	—
YZT24B21S	TM9E040A10MP11	14.5	CF/CM/CU30B	2	825	22.4	18.6	—	12.50	23.6	14.8	9.00	7.65	3.70	2.46
YZT24B21S	TM9E040A10MP11	14.5	CF/CM/CU36B	1	700	20.4	16.4	16.00	24.30	16.4	—	—	—	4.02	—
YZT24B21S	TM9E040A10MP11	14.5	CF/CM/CU36B	2	825	23.2	18.8	—	13.00	23.2	14.7	9.00	7.85	3.82	2.54
YZT24B21S	TM9E040A10MP11	14.5	CF/CM36A	1	700	20.4	16.4	16.00	24.10	16.4	—	—	—	4.02	—
YZT24B21S	TM9E040A10MP11	14.5	CF/CM36A	2	775	23.0	18.1	—	13.00	23.2	14.8	9.00	7.85	3.78	2.52
YZT24B21S	TM9E040A10MP12	17.5	XAF/XAUB36D	1	650	20.2	14.9	16.50	24.90	16.4	—	—	—	4.12	—
YZT24B21S	TM9E040A10MP12	17.5	XAF/XAUB36D	2	800	22.8	15.8	—	13.00	22.6	14.7	9.25	7.35	3.90	2.62
YZT24B21S	TM9E040A10MP12	14.5	XAFA30D	1	625	20.0	14.6	16.50	24.60	16.4	—	—	—	4.04	—
YZT24B21S	TM9E040A10MP12	14.5	XAFA30D	2	775	22.6	15.6	—	13.00	22.6	14.7	9.00	7.25	3.86	2.60
YZT24B21S	TM9E040A10MP12	17.5	XAHB36D	1	625	19.7	13.9	16.00	24.35	15.9	—	—	—	4.12	—
YZT24B21S	TM9E040A10MP12	17.5	XAHB36D	2	775	22.2	15.1	—	13.00	21.8	14.2	9.25	7.30	3.78	2.58
YZT24B21S	TM9E060A10MP12	17.5	XAF/XAUB36D	1	700	20.4	15.4	17.00	25.20	16.5	—	—	—	4.24	—
YZT24B21S	TM9E060A10MP12	17.5	XAF/XAUB36D	2	875	23.2	16.0	—	13.50	22.8	14.7	9.25	7.30	4.02	2.66
YZT24B21S	TM9E060A10MP12	14.5	XAFA30D	1	675	20.2	15.2	16.50	24.80	16.5	—	—	—	4.16	—
YZT24B21S	TM9E060A10MP12	14.5	XAFA30D	2	850	23.0	15.9	—	13.50	22.8	14.7	9.25	7.20	3.98	2.64
YZT24B21S	TM9E060B12MP12	17.5	XAF/XAUB36D	1	750	20.8	16.0	17.00	25.30	16.7	—	—	—	4.36	—
YZT24B21S	TM9E060B12MP12	17.5	XAF/XAUB36D	2	925	23.4	16.2	—	13.50	23.0	14.8	9.50	7.45	4.08	2.68
YZT24B21S	TM9E060B12MP12	21.0	XAFC36D	1	750	20.8	16.0	17.00	25.35	16.7	—	—	—	4.36	—



SYSTEM CAPACITY — With High Efficiency Motor Furnaces<sup>1</sup> (Continued)

UNIT MODEL	FURNACE MODEL	WIDTH	COIL MODEL <sup>2</sup>	Stage	COOLING					HEATING					
					RATED CFM	NET MBH		SEER	EER	NET MBH		HSPF IV	HSPF V	COP	
						TOTAL	SENS.			47°F OD	17°F OD			47°F OD	17°F OD
YZT24B21S	TM9E060B12MP12	21.0	XAFC36D	2	925	23.4	16.2	—	13.50	23.0	14.8	9.50	7.35	4.08	2.68
YZT24B21S	TM9E080B12MP11	17.5	CF/CM/CU30B	1	725	20.0	16.6	16.00	26.30	15.9	—	—	—	3.96	—
YZT24B21S	TM9E080B12MP11	17.5	CF/CM/CU30B	2	900	22.8	19.7	—	13.00	23.4	14.5	9.00	7.75	3.88	2.52
YZT24B21S	TM9E080B12MP11	17.5	CF/CM/CU36B	1	725	20.6	16.8	18.00	27.00	16.1	—	—	—	4.24	—
YZT24B21S	TM9E080B12MP11	17.5	CF/CM/CU36B	2	900	23.8	20.2	—	14.00	23.0	14.4	9.60	8.05	4.00	2.64
YZT24B21S	TM9E080B12MP12	17.5	XAF/XAUB36D	1	800	21.2	16.7	17.00	25.75	16.8	—	—	—	4.52	—
YZT24B21S	TM9E080B12MP12	17.5	XAF/XAUB36D	2	925	23.4	16.2	—	13.50	22.8	14.7	9.50	7.45	4.14	2.72
YZT24B21S	TM9E080B12MP12	21.0	XAFC36D	1	800	21.2	16.7	17.00	25.80	16.8	—	—	—	4.52	—
YZT24B21S	TM9E080B12MP12	21.0	XAFC36D	2	925	23.4	16.2	—	13.50	22.8	14.7	9.50	7.45	4.14	2.72
YZT24B21S	TM9E080C16MP12	21.0	XAFC36D	1	750	20.8	16.0	17.50	26.40	16.6	—	—	—	4.46	—
YZT24B21S	TM9E080C16MP12	21.0	XAFC36D	2	875	23.4	16.2	—	13.50	22.6	14.5	9.50	7.45	4.12	2.72
YZT24B21S	TM9E100C16MP12	21.0	XAFC36D	1	775	21.0	16.4	17.50	26.35	16.7	—	—	—	4.50	—
YZT24B21S	TM9E100C16MP12	21.0	XAFC36D	2	900	23.4	16.2	—	13.50	22.6	14.6	9.75	7.60	4.16	2.74
YZT24B21S	TM9V040A10MP12C	17.5	XAF/XAUB36D	1	500	19.3	13.3	16.50	24.80	16.0	—	—	—	3.86	—
YZT24B21S	TM9V040A10MP12C	17.5	XAF/XAUB36D	2	800	22.8	15.8	—	13.00	22.6	14.7	9.00	7.25	3.92	2.64
YZT24B21S	TM9V040A10MP12C	14.5	XAFA30D	1	500	19.3	13.3	16.50	24.65	16.0	—	—	—	3.84	—
YZT24B21S	TM9V040A10MP12C	14.5	XAFA30D	2	775	22.6	15.6	—	13.00	22.6	14.7	9.00	7.15	3.86	2.60
YZT24B21S	TM9V040A10MP12C	17.5	XAHB36D	1	500	18.7	12.5	16.50	24.00	15.5	—	—	—	3.86	—
YZT24B21S	TM9V040A10MP12C	17.5	XAHB36D	2	775	22.2	15.1	—	13.00	21.6	14.1	9.25	7.50	3.80	2.60
YZT24B21S	TM9V060B12MP12C	17.5	CF/CM/CU24B	1	525	19.1	13.8	17.00	25.90	16.2	—	—	—	3.92	—
YZT24B21S	TM9V060B12MP12C	17.5	CF/CM/CU24B	2	775	21.8	17.8	—	13.00	23.4	14.6	9.00	7.65	3.80	2.48
YZT24B21S	TM9V060B12MP12C	17.5	CF/CM/CU24C	1	525	19.1	13.7	17.00	26.00	16.2	—	—	—	3.92	—
YZT24B21S	TM9V060B12MP12C	17.5	CF/CM/CU24C	2	775	21.8	17.8	—	13.00	23.4	14.6	9.00	7.70	3.80	2.48
YZT24B21S	TM9V060B12MP12C	17.5	CF/CM/CU30B	1	575	19.6	14.6	16.00	25.05	15.7	—	—	—	3.84	—
YZT24B21S	TM9V060B12MP12C	17.5	CF/CM/CU30B	2	875	22.6	19.3	—	13.00	23.6	14.6	9.00	7.70	3.86	2.52
YZT24B21S	TM9V060B12MP12C	17.5	CF/CM/CU30C	1	575	19.6	14.6	17.00	25.25	15.7	—	—	—	3.86	—
YZT24B21S	TM9V060B12MP12C	17.5	CF/CM/CU30C	2	875	22.8	19.5	—	13.50	23.4	14.5	9.00	7.70	3.88	2.52
YZT24B21S	TM9V060B12MP12C	17.5	CF/CM/CU36B	1	575	20.2	14.8	18.00	27.30	16.0	—	—	—	4.08	—
YZT24B21S	TM9V060B12MP12C	17.5	CF/CM/CU36B	2	875	23.6	19.7	—	14.00	23.0	14.5	9.50	8.00	3.96	2.62
YZT24B21S	TM9V060B12MP12C	17.5	CF/CM/CU36C	1	575	20.2	14.8	18.00	27.55	16.0	—	—	—	4.08	—
YZT24B21S	TM9V060B12MP12C	17.5	CF/CM/CU36C	2	875	23.6	19.7	—	14.00	23.0	14.4	9.60	8.00	4.00	2.64
YZT24B21S	TM9V060B12MP12C	17.5	XAF/XAUB36D	1	575	19.8	14.2	17.00	25.60	16.1	—	—	—	4.06	—
YZT24B21S	TM9V060B12MP12C	17.5	XAF/XAUB36D	2	875	23.2	16.0	—	13.50	22.6	14.7	9.25	7.40	4.06	2.68
YZT24B21S	TM9V060B12MP12C	21.0	XAFC36D	1	575	19.8	14.2	17.00	25.70	16.1	—	—	—	4.06	—
YZT24B21S	TM9V060B12MP12C	21.0	XAFC36D	2	875	23.2	16.0	—	13.50	22.6	14.6	9.25	7.40	4.08	2.70
YZT24B21S	TM9V060B12MP12C	17.5	XAHB36D	1	575	19.4	13.4	16.50	24.95	15.7	—	—	—	4.08	—
YZT24B21S	TM9V060B12MP12C	17.5	XAHB36D	2	875	22.6	15.3	—	13.00	21.8	14.2	9.50	7.55	3.94	2.66
YZT24B21S	TM9V060B12MP12C	21.0	XAHC36D	1	575	19.4	13.4	17.00	25.15	15.6	—	—	—	4.10	—

**SYSTEM CAPACITY — With High Efficiency Motor Furnaces<sup>1</sup> (Continued)**

UNIT MODEL	FURNACE MODEL	WIDTH	COIL MODEL <sup>2</sup>	Stage	COOLING					HEATING					
					RATED CFM	NET MBH		SEER	EER	NET MBH		HSPF IV	HSPF V	COP	
						TOTAL	SENS.			47°F OD	17°F OD			47°F OD	17°F OD
YZT24B21S	TM9V060B12MP12C	21.0	XAHC36D	2	875	22.8	15.5	—	13.00	21.8	14.2	9.50	7.50	3.98	2.68
YZT24B21S	TM9V080B12MP12C	17.5	CF/CM/CU24B	1	600	19.3	14.8	17.00	25.90	16.1	—	—	—	4.12	—
YZT24B21S	TM9V080B12MP12C	17.5	CF/CM/CU24B	2	875	22.2	19.1	—	13.50	23.2	14.5	9.00	7.85	3.90	2.54
YZT24B21S	TM9V080B12MP12C	17.5	CF/CM/CU24C	1	600	19.3	14.8	17.00	26.05	16.1	—	—	—	4.14	—
YZT24B21S	TM9V080B12MP12C	17.5	CF/CM/CU24C	2	850	22.2	18.8	—	13.50	23.2	14.5	9.00	7.85	3.92	2.56
YZT24B21S	TM9V080B12MP12C	17.5	CF/CM/CU30B	1	550	19.3	14.2	17.00	25.55	15.8	—	—	—	3.78	—
YZT24B21S	TM9V080B12MP12C	17.5	CF/CM/CU30B	2	800	22.6	18.4	—	13.50	23.4	14.5	9.00	7.70	3.86	2.52
YZT24B21S	TM9V080B12MP12C	17.5	CF/CM/CU30C	1	600	19.6	15.0	17.00	25.80	15.7	—	—	—	3.88	—
YZT24B21S	TM9V080B12MP12C	17.5	CF/CM/CU30C	2	850	22.8	19.2	—	13.50	23.4	14.5	9.00	7.75	3.92	2.52
YZT24B21S	TM9V080B12MP12C	17.5	CF/CM/CU36B	1	600	20.2	15.2	18.00	27.50	16.0	—	—	—	4.14	—
YZT24B21S	TM9V080B12MP12C	17.5	CF/CM/CU36B	2	850	23.6	19.5	—	14.00	23.0	14.4	9.60	8.05	4.00	2.64
YZT24B21S	TM9V080B12MP12C	17.5	CF/CM/CU36C	1	600	20.4	15.3	18.00	27.75	16.0	—	—	—	4.16	—
YZT24B21S	TM9V080B12MP12C	17.5	CF/CM/CU36C	2	850	23.6	19.4	—	14.00	22.8	14.3	9.60	8.05	4.04	2.66
YZT24B21S	TM9V080B12MP12C	17.5	XAF/XAUB36D	1	625	20.2	14.8	17.50	26.10	16.2	—	—	—	4.18	—
YZT24B21S	TM9V080B12MP12C	17.5	XAF/XAUB36D	2	875	23.2	16.0	—	13.50	22.6	14.6	9.50	7.40	4.12	2.72
YZT24B21S	TM9V080B12MP12C	21.0	XAFC36D	1	600	20.0	14.5	17.00	26.00	16.1	—	—	—	4.12	—
YZT24B21S	TM9V080B12MP12C	21.0	XAFC36D	2	850	23.2	16.1	—	13.50	22.4	14.5	9.50	7.50	4.10	2.72
YZT24B21S	TM9V080B12MP12C	17.5	XAHB36D	1	575	19.4	13.4	17.00	25.20	15.6	—	—	—	4.10	—
YZT24B21S	TM9V080B12MP12C	17.5	XAHB36D	2	800	22.4	15.3	—	13.50	21.6	14.0	9.50	7.55	3.92	2.68
YZT24B21S	TM9V080B12MP12C	21.0	XAHC36D	1	575	19.4	13.4	17.00	25.45	15.6	—	—	—	4.12	—
YZT24B21S	TM9V080B12MP12C	21.0	XAHC36D	2	800	22.4	15.3	—	13.50	21.4	13.9	9.50	7.50	3.96	2.68
YZT24B21S	TM9V100C16MP12C	21.0	CF/CM/CU30C	1	675	20.0	16.0	17.00	27.00	15.8	—	—	—	3.98	—
YZT24B21S	TM9V100C16MP12C	21.0	CF/CM/CU30C	2	900	23.0	19.9	—	14.00	23.2	14.4	9.00	7.80	3.94	2.56
YZT24B21S	TM9V100C16MP12C	21.0	CF/CM/CU36C	1	675	20.6	16.3	18.00	27.85	16.0	—	—	—	4.28	—
YZT24B21S	TM9V100C16MP12C	21.0	CF/CM/CU36C	2	900	23.8	20.2	—	14.00	22.8	14.3	9.60	8.15	4.10	2.68
YZT24B21S	TM9V100C16MP12C	21.0	XAFC36D	1	675	20.4	15.3	17.50	26.40	16.3	—	—	—	4.32	—
YZT24B21S	TM9V100C16MP12C	21.0	XAFC36D	2	900	23.4	16.2	—	13.50	22.6	14.5	9.50	7.45	4.20	2.76
YZT24B21S	TM9Y040A10MP11	14.5	CF/CM/CU24A	1	675	19.3	15.6	15.00	22.60	16.6	—	—	—	3.90	—
YZT24B21S	TM9Y040A10MP11	14.5	CF/CM/CU24A	2	775	21.4	17.5	—	12.00	23.8	15.0	8.50	7.55	3.64	2.40
YZT24B21S	TM9Y040A10MP11	14.5	CF/CM/CU24B	1	700	19.5	15.9	15.00	23.10	16.5	—	—	—	4.00	—
YZT24B21S	TM9Y040A10MP11	14.5	CF/CM/CU24B	2	825	21.8	18.2	—	12.00	23.6	14.8	8.50	7.70	3.70	2.46
YZT24B21S	TM9Y040A10MP11	14.5	CF/CM/CU30A	1	675	19.7	15.7	15.00	23.25	16.1	—	—	—	3.72	—
YZT24B21S	TM9Y040A10MP11	14.5	CF/CM/CU30A	2	775	22.0	17.7	—	12.00	23.8	14.9	8.50	7.50	3.62	2.40
YZT24B21S	TM9Y040A10MP11	14.5	CF/CM/CU30B	1	700	19.7	16.1	15.00	23.65	16.1	—	—	—	3.78	—
YZT24B21S	TM9Y040A10MP11	14.5	CF/CM/CU30B	2	825	22.4	18.6	—	12.50	23.6	14.8	9.00	7.65	3.70	2.46
YZT24B21S	TM9Y040A10MP11	14.5	CF/CM/CU36B	1	700	20.4	16.4	16.00	24.30	16.4	—	—	—	4.02	—
YZT24B21S	TM9Y040A10MP11	14.5	CF/CM/CU36B	2	825	23.2	18.8	—	13.00	23.2	14.7	9.00	7.85	3.82	2.54

SYSTEM CAPACITY — With High Efficiency Motor Furnaces<sup>1</sup> (Continued)

UNIT MODEL	FURNACE MODEL	WIDTH	COIL MODEL <sup>2</sup>	Stage	COOLING					HEATING					
					RATED CFM	NET MBH		SEER	EER	NET MBH		HSPF IV	HSPF V	COP	
						TOTAL	SENS.			47°F OD	17°F OD			47°F OD	17°F OD
YZT24B21S	TM9Y040A10MP11	14.5	CF/CM36A	1	700	20.4	16.4	16.00	24.10	16.4	—	—	—	4.02	—
YZT24B21S	TM9Y040A10MP11	14.5	CF/CM36A	2	775	23.0	18.1	—	13.00	23.2	14.8	9.00	7.85	3.78	2.52
YZT24B21S	TM9Y040A10MP11	17.5	XAF/XAUB36D	1	550	19.6	13.9	16.50	24.80	16.1	—	—	—	3.92	—
YZT24B21S	TM9Y040A10MP11	17.5	XAF/XAUB36D	2	800	22.6	15.6	—	13.00	22.8	14.8	9.00	7.05	3.84	2.58
YZT24B21S	TM9Y040A10MP11	14.5	XAFA30D	1	525	19.4	13.5	16.00	24.50	16.1	—	—	—	3.86	—
YZT24B21S	TM9Y040A10MP11	14.5	XAFA30D	2	775	22.6	15.6	—	13.00	22.8	14.8	9.00	7.20	3.80	2.56
YZT24B21S	TM9Y040A10MP11	17.5	XAHB36D	1	525	18.9	12.7	16.00	23.85	15.6	—	—	—	3.88	—
YZT24B21S	TM9Y040A10MP11	17.5	XAHB36D	2	775	22.0	14.9	—	12.50	21.8	14.3	9.00	7.35	3.72	2.56
YZT24B21S	TM9Y060B12MP11	17.5	XAF/XAUB36D	1	700	20.6	15.6	17.00	25.65	16.5	—	—	—	4.28	—
YZT24B21S	TM9Y060B12MP11	17.5	XAF/XAUB36D	2	950	23.4	16.1	—	13.00	23.0	14.8	9.50	7.40	4.10	2.68
YZT24B21S	TM9Y060B12MP11	21.0	XAFC36D	1	700	20.6	15.6	17.00	25.65	16.5	—	—	—	4.28	—
YZT24B21S	TM9Y060B12MP11	21.0	XAFC36D	2	850	23.2	16.1	—	13.50	22.6	14.6	9.50	7.50	4.02	2.68
YZT24B21S	TM9Y080B12MP11	17.5	CF/CM/CU30B	1	725	20.0	16.6	16.00	26.30	15.9	—	—	—	3.96	—
YZT24B21S	TM9Y080B12MP11	17.5	CF/CM/CU30B	2	900	22.8	19.7	—	13.00	23.4	14.5	9.00	7.75	3.88	2.52
YZT24B21S	TM9Y080B12MP11	17.5	CF/CM/CU36B	1	725	20.6	16.8	18.00	27.00	16.1	—	—	—	4.24	—
YZT24B21S	TM9Y080B12MP11	17.5	CF/CM/CU36B	2	900	23.8	20.2	—	14.00	23.0	14.4	9.60	8.05	4.00	2.64
YZT24B21S	TM9Y080B12MP11	17.5	XAF/XAUB36D	1	725	20.8	15.9	17.50	26.00	16.5	—	—	—	4.36	—
YZT24B21S	TM9Y080B12MP11	17.5	XAF/XAUB36D	2	875	23.2	16.0	—	13.50	22.6	14.6	9.50	7.45	4.08	2.70
YZT24B21S	TM9Y080B12MP11	21.0	XAFC36D	1	725	20.8	15.9	17.50	26.00	16.5	—	—	—	4.36	—
YZT24B21S	TM9Y080B12MP11	21.0	XAFC36D	2	900	23.4	16.2	—	13.50	22.6	14.6	9.50	7.50	4.12	2.72
YZT24B21S	TM9Y080C16MP11	21.0	XAFC36D	1	650	20.2	14.9	17.50	26.25	16.4	—	—	—	4.16	—
YZT24B21S	TM9Y080C16MP11	21.0	XAFC36D	2	950	23.6	16.2	—	13.50	22.8	14.7	9.50	7.35	4.20	2.74
YZT24B21S	TM9Y080C16MP11	21.0	XAHC36D	1	625	19.8	14.0	17.00	25.80	15.9	—	—	—	4.18	—
YZT24B21S	TM9Y080C16MP11	21.0	XAHC36D	2	950	23.2	15.8	—	13.50	22.0	14.2	9.50	7.50	4.10	2.72
YZT24B21S	TM9Y100C16MP11	21.0	XAFC36D	1	625	20.2	14.8	17.50	26.50	16.2	—	—	—	4.22	—
YZT24B21S	TM9Y100C16MP11	21.0	XAFC36D	2	950	23.6	16.2	—	13.50	22.8	14.6	9.50	7.55	4.22	2.76
YZT24B21S	TM9Y100C16MP11	21.0	XAHC36D	1	600	19.6	13.7	17.50	25.85	15.7	—	—	—	4.20	—
YZT24B21S	TM9Y100C16MP11	21.0	XAHC36D	2	950	23.2	15.8	—	13.50	21.8	14.2	9.75	7.65	4.12	2.74
YZT24B21S	TMLE040A12MP11	17.5	XAF/XAUB36D	1	725	20.8	15.9	17.50	26.50	16.5	—	—	—	4.38	—
YZT24B21S	TMLE040A12MP11	17.5	XAF/XAUB36D	2	875	23.4	16.2	—	13.50	22.6	14.5	9.50	7.50	4.12	2.72
YZT24B21S	TMLE040A12MP11	14.5	XAFA30D	1	650	20.2	14.9	17.00	25.70	16.4	—	—	—	4.16	—
YZT24B21S	TMLE040A12MP11	14.5	XAFA30D	2	825	23.0	15.9	—	13.50	22.6	14.6	9.25	7.40	4.02	2.68
YZT24B21S	TMLE040A12MP11	17.5	XAHB36D	1	650	20.0	14.3	17.00	25.55	15.9	—	—	—	4.26	—
YZT24B21S	TMLE040A12MP11	17.5	XAHB36D	2	725	22.2	15.2	—	13.50	21.4	13.8	9.50	7.55	3.86	2.66
YZT24B21S	TMLE060A12MP11	17.5	XAF/XAUB36D	1	775	21.0	16.4	17.50	26.20	16.7	—	—	—	4.50	—
YZT24B21S	TMLE060A12MP11	17.5	XAF/XAUB36D	2	875	23.4	16.2	—	13.50	22.6	14.6	9.50	7.45	4.12	2.72
YZT24B21S	TMLE060A12MP11	14.5	XAFA30D	1	725	20.6	15.7	17.00	25.45	16.6	—	—	—	4.32	—

**SYSTEM CAPACITY — With High Efficiency Motor Furnaces<sup>1</sup> (Continued)**

UNIT MODEL	FURNACE MODEL	WIDTH	COIL MODEL <sup>2</sup>	Stage	COOLING					HEATING					
					RATED CFM	NET MBH		SEER	EER	NET MBH		HSPF IV	HSPF V	COP	
						TOTAL	SENS.			47°F OD	17°F OD			47°F OD	17°F OD
YZT24B21S	TMLE060A12MP11	14.5	XAFA30D	2	825	23.0	15.9	—	13.50	22.6	14.6	9.50	7.50	4.02	2.68
YZT24B21S	TMLE080B12MP11	17.5	XAF/XAUB36D	1	750	20.8	16.0	17.50	26.15	16.6	—	—	—	4.44	—
YZT24B21S	TMLE080B12MP11	17.5	XAF/XAUB36D	2	875	23.2	16.0	—	13.50	22.6	14.6	9.50	7.50	4.10	2.70
YZT24B21S	TMLE080B12MP11	21.0	XAFC36D	1	750	20.8	16.0	17.50	26.15	16.6	—	—	—	4.44	—
YZT24B21S	TMLE080B12MP11	21.0	XAFC36D	2	900	23.4	16.2	—	13.50	22.6	14.6	9.50	7.45	4.14	2.72
YZT24B21S	TMLE080C16MP11	21.0	XAFC36D	1	800	21.2	16.7	17.50	26.50	16.7	—	—	—	4.58	—
YZT24B21S	TMLE080C16MP11	21.0	XAFC36D	2	925	23.6	16.3	—	13.50	22.6	14.5	9.75	7.50	4.22	2.76
YZT24B21S	TMLE100B12MP11	17.5	XAF/XAUB36D	1	725	20.8	15.9	17.50	26.20	16.5	—	—	—	4.38	—
YZT24B21S	TMLE100B12MP11	17.5	XAF/XAUB36D	2	825	23.2	16.1	—	13.50	22.4	14.5	9.50	7.35	4.06	2.70
YZT24B21S	TMLE100B12MP11	21.0	XAFC36D	1	725	20.8	15.9	17.50	26.20	16.5	—	—	—	4.38	—
YZT24B21S	TMLE100B12MP11	21.0	XAFC36D	2	825	23.2	16.1	—	13.50	22.4	14.5	9.50	7.35	4.06	2.70
YZT24B21S	TMLE100C16MP11	21.0	XAFC36D	1	800	21.2	16.7	18.00	26.70	16.7	—	—	—	4.60	—
YZT24B21S	TMLE100C16MP11	21.0	XAFC36D	2	925	23.6	16.3	—	13.50	22.6	14.5	9.75	7.50	4.22	2.76
YZT24B21S	TMLE120C16MP11	21.0	XAFC36D	1	800	21.2	16.7	17.50	26.65	16.7	—	—	—	4.60	—
YZT24B21S	TMLE120C16MP11	21.0	XAFC36D	2	925	23.6	16.3	—	13.50	22.6	14.5	9.75	7.50	4.22	2.76
YZT24B21S	TMLV060A12MP12C	14.5	CF/CM/CU24A	1	575	19.4	14.5	17.00	25.90	16.2	—	—	—	4.02	—
YZT24B21S	TMLV060A12MP12C	14.5	CF/CM/CU24A	2	800	21.8	18.0	—	13.00	23.4	14.6	9.00	7.70	3.80	2.48
YZT24B21S	TMLV060A12MP12C	14.5	CF/CM/CU24B	1	625	19.6	15.2	17.00	26.20	16.1	—	—	—	4.16	—
YZT24B21S	TMLV060A12MP12C	14.5	CF/CM/CU24B	2	875	22.2	19.1	—	13.50	23.2	14.5	9.00	7.85	3.90	2.54
YZT24B21S	TMLV060A12MP12C	14.5	CF/CM/CU30A	1	625	19.5	15.2	16.00	25.55	15.8	—	—	—	3.88	—
YZT24B21S	TMLV060A12MP12C	14.5	CF/CM/CU30A	2	875	22.6	19.3	—	13.00	23.6	14.6	9.00	7.70	3.84	2.50
YZT24B21S	TMLV060A12MP12C	14.5	CF/CM/CU30B	1	625	19.5	15.2	17.00	26.00	15.8	—	—	—	3.90	—
YZT24B21S	TMLV060A12MP12C	14.5	CF/CM/CU30B	2	875	22.8	19.5	—	13.50	23.4	14.5	9.00	7.75	3.90	2.54
YZT24B21S	TMLV060A12MP12C	14.5	CF/CM/CU36B	1	625	20.2	15.5	18.00	29.65	16.0	—	—	—	4.18	—
YZT24B21S	TMLV060A12MP12C	14.5	CF/CM/CU36B	2	875	23.6	19.7	—	14.00	23.0	14.4	9.60	8.05	4.02	2.66
YZT24B21S	TMLV060A12MP12C	14.5	CF/CM36A	1	625	20.2	15.5	18.00	29.30	16.1	—	—	—	4.16	—
YZT24B21S	TMLV060A12MP12C	14.5	CF/CM36A	2	875	23.6	19.7	—	14.00	23.0	14.5	9.50	8.00	3.96	2.62
YZT24B21S	TMLV080B12MP12C	17.5	CF/CM/CU24C	1	600	19.3	14.8	17.00	25.70	16.1	—	—	—	4.10	—
YZT24B21S	TMLV080B12MP12C	17.5	CF/CM/CU24C	2	875	22.2	19.1	—	13.00	23.4	14.6	9.00	7.80	3.86	2.52
YZT24B21S	TMLV080B12MP12C	17.5	CF/CM/CU30B	1	550	19.2	14.1	16.00	25.30	15.8	—	—	—	3.76	—
YZT24B21S	TMLV080B12MP12C	17.5	CF/CM/CU30B	2	825	22.6	18.7	—	13.00	23.2	14.5	9.00	7.70	3.82	2.52
YZT24B21S	TMLV080B12MP12C	17.5	CF/CM/CU30C	1	550	19.2	14.1	17.00	25.45	15.8	—	—	—	3.76	—
YZT24B21S	TMLV080B12MP12C	17.5	CF/CM/CU30C	2	825	22.6	18.7	—	13.50	23.2	14.5	9.00	7.75	3.82	2.54
YZT24B21S	TMLV080B12MP12C	17.5	CF/CM/CU36B	1	550	20.0	14.4	18.00	27.10	16.0	—	—	—	4.02	—
YZT24B21S	TMLV080B12MP12C	17.5	CF/CM/CU36B	2	825	23.4	19.0	—	14.00	23.0	14.4	9.50	7.95	3.96	2.62
YZT24B21S	TMLV080B12MP12C	17.5	CF/CM/CU36C	1	550	20.0	14.5	18.00	27.30	16.0	—	—	—	4.04	—
YZT24B21S	TMLV080B12MP12C	17.5	CF/CM/CU36C	2	825	23.6	19.2	—	14.00	22.8	14.4	9.50	8.00	3.98	2.62

SYSTEM CAPACITY — With High Efficiency Motor Furnaces<sup>1</sup> (Continued)

UNIT MODEL	FURNACE MODEL	WIDTH	COIL MODEL <sup>2</sup>	Stage	COOLING					HEATING					
					RATED CFM	NET MBH		SEER	EER	NET MBH		HSPF IV	HSPF V	COP	
						TOTAL	SENS.			47°F OD	17°F OD			47°F OD	17°F OD
YZT24B21S	TMLV080C16MP12C	21.0	CF/CM/CU24C	1	625	19.6	15.2	17.00	26.60	16.1	—	—	—	4.18	—
YZT24B21S	TMLV080C16MP12C	21.0	CF/CM/CU24C	2	875	22.4	19.3	—	13.50	23.2	14.4	9.00	7.90	3.96	2.58
YZT24B21S	TMLV080C16MP12C	21.0	CF/CM/CU30C	1	625	19.6	15.3	17.00	26.35	15.7	—	—	—	3.92	—
YZT24B21S	TMLV080C16MP12C	21.0	CF/CM/CU30C	2	875	22.8	19.4	—	14.00	23.4	14.4	9.00	7.80	3.94	2.56
YZT24B21S	TMLV080C16MP12C	21.0	CF/CM/CU36C	1	625	20.4	15.6	18.00	30.20	16.0	—	—	—	4.20	—
YZT24B21S	TMLV080C16MP12C	21.0	CF/CM/CU36C	2	875	23.8	19.9	—	14.00	22.8	14.3	9.60	8.10	4.08	2.68
YZT24B21S	TMLV100C16MP12C	21.0	CF/CM/CU24C	1	625	19.6	15.2	17.00	26.60	16.1	—	—	—	4.18	—
YZT24B21S	TMLV100C16MP12C	21.0	CF/CM/CU24C	2	875	22.4	19.3	—	13.50	23.2	14.4	9.00	7.90	3.96	2.58
YZT24B21S	TMLV100C16MP12C	21.0	CF/CM/CU30C	1	625	19.6	15.3	17.00	26.35	15.7	—	—	—	3.92	—
YZT24B21S	TMLV100C16MP12C	21.0	CF/CM/CU30C	2	875	22.8	19.4	—	14.00	23.4	14.4	9.00	7.80	3.94	2.56
YZT24B21S	TMLV100C16MP12C	21.0	CF/CM/CU36C	1	625	20.4	15.6	18.00	30.20	16.0	—	—	—	4.20	—
YZT24B21S	TMLV100C16MP12C	21.0	CF/CM/CU36C	2	875	23.8	19.9	—	14.00	22.8	14.3	9.60	8.10	4.08	2.68
YZT24B21S	TP9C060B12MP13C	17.5	CF/CM/CU24B	1	525	19.1	13.8	17.00	25.90	16.2	—	—	—	3.92	—
YZT24B21S	TP9C060B12MP13C	17.5	CF/CM/CU24B	2	775	21.8	17.8	—	13.00	23.4	14.6	9.00	7.65	3.80	2.48
YZT24B21S	TP9C060B12MP13C	17.5	CF/CM/CU24C	1	525	19.1	13.7	17.00	26.00	16.2	—	—	—	3.92	—
YZT24B21S	TP9C060B12MP13C	17.5	CF/CM/CU24C	2	775	21.8	17.8	—	13.00	23.4	14.6	9.00	7.70	3.80	2.48
YZT24B21S	TP9C060B12MP13C	17.5	CF/CM/CU30B	1	575	19.6	14.6	16.00	25.05	15.7	—	—	—	3.84	—
YZT24B21S	TP9C060B12MP13C	17.5	CF/CM/CU30B	2	875	22.6	19.3	—	13.00	23.6	14.6	9.00	7.70	3.86	2.52
YZT24B21S	TP9C060B12MP13C	17.5	CF/CM/CU30C	1	575	19.6	14.6	17.00	25.25	15.7	—	—	—	3.86	—
YZT24B21S	TP9C060B12MP13C	17.5	CF/CM/CU30C	2	875	22.8	19.5	—	13.50	23.4	14.5	9.00	7.70	3.88	2.52
YZT24B21S	TP9C060B12MP13C	17.5	CF/CM/CU36B	1	575	20.2	14.8	18.00	27.30	16.0	—	—	—	4.08	—
YZT24B21S	TP9C060B12MP13C	17.5	CF/CM/CU36B	2	875	23.6	19.7	—	14.00	23.0	14.5	9.50	8.00	3.96	2.62
YZT24B21S	TP9C060B12MP13C	17.5	CF/CM/CU36C	1	575	20.2	14.8	18.00	27.55	16.0	—	—	—	4.08	—
YZT24B21S	TP9C060B12MP13C	17.5	CF/CM/CU36C	2	875	23.6	19.7	—	14.00	23.0	14.4	9.60	8.00	4.00	2.64
YZT24B21S	TP9C060B12MP13C	17.5	XAF/XAUB36D	1	575	19.8	14.2	17.00	25.60	16.1	—	—	—	4.06	—
YZT24B21S	TP9C060B12MP13C	17.5	XAF/XAUB36D	2	875	23.2	16.0	—	13.50	22.6	14.7	9.25	7.40	4.06	2.68
YZT24B21S	TP9C060B12MP13C	21.0	XAFC36D	1	575	19.8	14.2	17.00	25.70	16.1	—	—	—	4.06	—
YZT24B21S	TP9C060B12MP13C	21.0	XAFC36D	2	875	23.2	16.0	—	13.50	22.6	14.6	9.25	7.40	4.08	2.70
YZT24B21S	TP9C060B12MP13C	17.5	XAHB36D	1	575	19.4	13.4	16.50	24.95	15.7	—	—	—	4.08	—
YZT24B21S	TP9C060B12MP13C	17.5	XAHB36D	2	875	22.6	15.3	—	13.00	21.8	14.2	9.50	7.55	3.94	2.66
YZT24B21S	TP9C060B12MP13C	21.0	XAHC36D	1	575	19.4	13.4	17.00	25.15	15.6	—	—	—	4.10	—
YZT24B21S	TP9C060B12MP13C	21.0	XAHC36D	2	875	22.8	15.5	—	13.00	21.8	14.2	9.50	7.50	3.98	2.68
YZT24B21S	TP9C080B12MP13C	17.5	CF/CM/CU24B	1	600	19.3	14.8	17.00	25.90	16.1	—	—	—	4.12	—
YZT24B21S	TP9C080B12MP13C	17.5	CF/CM/CU24B	2	875	22.2	19.1	—	13.50	23.2	14.5	9.00	7.85	3.90	2.54
YZT24B21S	TP9C080B12MP13C	17.5	CF/CM/CU24C	1	600	19.3	14.8	17.00	26.05	16.1	—	—	—	4.14	—
YZT24B21S	TP9C080B12MP13C	17.5	CF/CM/CU24C	2	850	22.2	18.8	—	13.50	23.2	14.5	9.00	7.85	3.92	2.56
YZT24B21S	TP9C080B12MP13C	17.5	CF/CM/CU30B	1	550	19.3	14.2	17.00	25.55	15.8	—	—	—	3.78	—

**SYSTEM CAPACITY — With High Efficiency Motor Furnaces<sup>1</sup> (Continued)**

UNIT MODEL	FURNACE MODEL	WIDTH	COIL MODEL <sup>2</sup>	Stage	COOLING					HEATING					
					RATED CFM	NET MBH		SEER	EER	NET MBH		HSPF IV	HSPF V	COP	
						TOTAL	SENS.			47°F OD	17°F OD			47°F OD	17°F OD
YZT24B21S	TP9C080B12MP13C	17.5	CF/CM/CU30B	2	800	22.6	18.4	—	13.50	23.4	14.5	9.00	7.70	3.86	2.52
YZT24B21S	TP9C080B12MP13C	17.5	CF/CM/CU30C	1	600	19.6	15.0	17.00	25.80	15.7	—	—	—	3.88	—
YZT24B21S	TP9C080B12MP13C	17.5	CF/CM/CU30C	2	850	22.8	19.2	—	13.50	23.4	14.5	9.00	7.75	3.92	2.52
YZT24B21S	TP9C080B12MP13C	17.5	CF/CM/CU36B	1	600	20.2	15.2	18.00	27.50	16.0	—	—	—	4.14	—
YZT24B21S	TP9C080B12MP13C	17.5	CF/CM/CU36B	2	850	23.6	19.5	—	14.00	23.0	14.4	9.60	8.05	4.00	2.64
YZT24B21S	TP9C080B12MP13C	17.5	CF/CM/CU36C	1	600	20.4	15.3	18.00	27.75	16.0	—	—	—	4.16	—
YZT24B21S	TP9C080B12MP13C	17.5	CF/CM/CU36C	2	850	23.6	19.4	—	14.00	22.8	14.3	9.60	8.05	4.04	2.66
YZT24B21S	TP9C080B12MP13C	17.5	XAF/XAUB36D	1	625	20.2	14.8	17.50	26.10	16.2	—	—	—	4.18	—
YZT24B21S	TP9C080B12MP13C	17.5	XAF/XAUB36D	2	875	23.2	16.0	—	13.50	22.6	14.6	9.50	7.40	4.12	2.72
YZT24B21S	TP9C080B12MP13C	21.0	XAFC36D	1	600	20.0	14.5	17.00	26.00	16.1	—	—	—	4.12	—
YZT24B21S	TP9C080B12MP13C	21.0	XAFC36D	2	850	23.2	16.1	—	13.50	22.4	14.5	9.50	7.50	4.10	2.72
YZT24B21S	TP9C080B12MP13C	17.5	XAHB36D	1	575	19.4	13.4	17.00	25.20	15.6	—	—	—	4.10	—
YZT24B21S	TP9C080B12MP13C	17.5	XAHB36D	2	800	22.4	15.3	—	13.50	21.6	14.0	9.50	7.55	3.92	2.68
YZT24B21S	TP9C080B12MP13C	21.0	XAHC36D	1	575	19.4	13.4	17.00	25.45	15.6	—	—	—	4.12	—
YZT24B21S	TP9C080B12MP13C	21.0	XAHC36D	2	800	22.4	15.3	—	13.50	21.4	13.9	9.50	7.50	3.96	2.68
YZT24B21S	TP9C100C16MP13C	21.0	CF/CM/CU30C	1	675	20.0	16.0	17.00	27.00	15.8	—	—	—	3.98	—
YZT24B21S	TP9C100C16MP13C	21.0	CF/CM/CU30C	2	900	23.0	19.9	—	14.00	23.2	14.4	9.00	7.80	3.94	2.56
YZT24B21S	TP9C100C16MP13C	21.0	CF/CM/CU36C	1	675	20.6	16.3	18.00	27.85	16.0	—	—	—	4.28	—
YZT24B21S	TP9C100C16MP13C	21.0	CF/CM/CU36C	2	900	23.8	20.2	—	14.00	22.8	14.3	9.60	8.15	4.10	2.68
YZT24B21S	TP9C100C16MP13C	21.0	XAFC36D	1	675	20.4	15.3	17.50	26.40	16.3	—	—	—	4.32	—
YZT24B21S	TP9C100C16MP13C	21.0	XAFC36D	2	900	23.4	16.2	—	13.50	22.6	14.5	9.50	7.45	4.20	2.76
YZT24B21S	TPLC060A12MP13C	14.5	CF/CM/CU24A	1	575	19.4	14.5	17.00	25.90	16.2	—	—	—	4.02	—
YZT24B21S	TPLC060A12MP13C	14.5	CF/CM/CU24A	2	800	21.8	18.0	—	13.00	23.4	14.6	9.00	7.70	3.80	2.48
YZT24B21S	TPLC060A12MP13C	14.5	CF/CM/CU24B	1	625	19.6	15.2	17.00	26.20	16.1	—	—	—	4.16	—
YZT24B21S	TPLC060A12MP13C	14.5	CF/CM/CU24B	2	875	22.2	19.1	—	13.50	23.2	14.5	9.00	7.85	3.90	2.54
YZT24B21S	TPLC060A12MP13C	14.5	CF/CM/CU30A	1	625	19.5	15.2	16.00	25.55	15.8	—	—	—	3.88	—
YZT24B21S	TPLC060A12MP13C	14.5	CF/CM/CU30A	2	875	22.6	19.3	—	13.00	23.6	14.6	9.00	7.70	3.84	2.50
YZT24B21S	TPLC060A12MP13C	14.5	CF/CM/CU30B	1	625	19.5	15.2	17.00	26.00	15.8	—	—	—	3.90	—
YZT24B21S	TPLC060A12MP13C	14.5	CF/CM/CU30B	2	875	22.8	19.5	—	13.50	23.4	14.5	9.00	7.75	3.90	2.54
YZT24B21S	TPLC060A12MP13C	14.5	CF/CM/CU36B	1	625	20.2	15.5	18.00	29.65	16.0	—	—	—	4.18	—
YZT24B21S	TPLC060A12MP13C	14.5	CF/CM/CU36B	2	875	23.6	19.7	—	14.00	23.0	14.4	9.60	8.05	4.02	2.66
YZT24B21S	TPLC060A12MP13C	14.5	CF/CM36A	1	625	20.2	15.5	18.00	29.30	16.1	—	—	—	4.16	—
YZT24B21S	TPLC060A12MP13C	14.5	CF/CM36A	2	875	23.6	19.7	—	14.00	23.0	14.5	9.50	8.00	3.96	2.62
YZT24B21S	TPLC080B12MP13C	17.5	CF/CM/CU24C	1	600	19.3	14.8	17.00	25.70	16.1	—	—	—	4.10	—
YZT24B21S	TPLC080B12MP13C	17.5	CF/CM/CU24C	2	875	22.2	19.1	—	13.00	23.4	14.6	9.00	7.80	3.86	2.52
YZT24B21S	TPLC080B12MP13C	17.5	CF/CM/CU30B	1	550	19.2	14.1	16.00	25.30	15.8	—	—	—	3.76	—
YZT24B21S	TPLC080B12MP13C	17.5	CF/CM/CU30B	2	825	22.6	18.7	—	13.00	23.2	14.5	9.00	7.70	3.82	2.52

SYSTEM CAPACITY — With High Efficiency Motor Furnaces<sup>1</sup> (Continued)

UNIT MODEL	FURNACE MODEL	WIDTH	COIL MODEL <sup>2</sup>	Stage	COOLING					HEATING					
					RATED CFM	NET MBH		SEER	EER	NET MBH		HSPF IV	HSPF V	COP	
						TOTAL	SENS.			47°F OD	17°F OD			47°F OD	17°F OD
YZT24B21S	TPLC080B12MP13C	17.5	CF/CM/CU30C	1	550	19.2	14.1	17.00	25.45	15.8	—	—	—	3.76	—
YZT24B21S	TPLC080B12MP13C	17.5	CF/CM/CU30C	2	825	22.6	18.7	—	13.50	23.2	14.5	9.00	7.75	3.82	2.54
YZT24B21S	TPLC080B12MP13C	17.5	CF/CM/CU36B	1	550	20.0	14.4	18.00	27.10	16.0	—	—	—	4.02	—
YZT24B21S	TPLC080B12MP13C	17.5	CF/CM/CU36B	2	825	23.4	19.0	—	14.00	23.0	14.4	9.50	7.95	3.96	2.62
YZT24B21S	TPLC080B12MP13C	17.5	CF/CM/CU36C	1	550	20.0	14.5	18.00	27.30	16.0	—	—	—	4.04	—
YZT24B21S	TPLC080B12MP13C	17.5	CF/CM/CU36C	2	825	23.6	19.2	—	14.00	22.8	14.4	9.50	8.00	3.98	2.62
YZT24B21S	TPLC080B12MP13C	17.5	XAF/XAUB36D	1	550	19.6	13.9	17.00	25.40	16.0	—	—	—	3.98	—
YZT24B21S	TPLC080B12MP13C	17.5	XAF/XAUB36D	2	825	23.0	15.9	—	13.50	22.6	14.6	9.25	7.30	4.02	2.68
YZT24B21S	TPLC080B12MP13C	17.5	XAHB36D	1	550	19.2	13.1	16.50	24.70	15.6	—	—	—	4.02	—
YZT24B21S	TPLC080B12MP13C	17.5	XAHB36D	2	825	22.4	15.2	—	13.00	21.8	14.1	9.50	7.60	3.90	2.64
YZT24B21S	TPLC080B12MP13C	21.0	XAHC36D	1	550	19.2	13.1	16.50	24.85	15.6	—	—	—	4.02	—
YZT24B21S	TPLC080B12MP13C	21.0	XAHC36D	2	825	22.6	15.4	—	13.50	21.6	14.1	9.50	7.55	3.92	2.66
YZT24B21S	TPLC080C16MP13C	21.0	CF/CM/CU24C	1	625	19.6	15.2	17.00	26.60	16.1	—	—	—	4.18	—
YZT24B21S	TPLC080C16MP13C	21.0	CF/CM/CU24C	2	875	22.4	19.3	—	13.50	23.2	14.4	9.00	7.90	3.96	2.58
YZT24B21S	TPLC080C16MP13C	21.0	CF/CM/CU30C	1	625	19.6	15.3	17.00	26.35	15.7	—	—	—	3.92	—
YZT24B21S	TPLC080C16MP13C	21.0	CF/CM/CU30C	2	875	22.8	19.4	—	14.00	23.4	14.4	9.00	7.80	3.94	2.56
YZT24B21S	TPLC080C16MP13C	21.0	CF/CM/CU36C	1	625	20.4	15.6	18.00	30.20	16.0	—	—	—	4.20	—
YZT24B21S	TPLC080C16MP13C	21.0	CF/CM/CU36C	2	875	23.8	19.9	—	14.00	22.8	14.3	9.60	8.10	4.08	2.68
YZT24B21S	TPLC100C16MP13C	21.0	CF/CM/CU24C	1	625	19.6	15.2	17.00	26.60	16.1	—	—	—	4.18	—
YZT24B21S	TPLC100C16MP13C	21.0	CF/CM/CU24C	2	875	22.4	19.3	—	13.50	23.2	14.4	9.00	7.90	3.96	2.58
YZT24B21S	TPLC100C16MP13C	21.0	CF/CM/CU30C	1	625	19.6	15.3	17.00	26.35	15.7	—	—	—	3.92	—
YZT24B21S	TPLC100C16MP13C	21.0	CF/CM/CU30C	2	875	22.8	19.4	—	14.00	23.4	14.4	9.00	7.80	3.94	2.56
YZT24B21S	TPLC100C16MP13C	21.0	CF/CM/CU36C	1	625	20.4	15.6	18.00	30.20	16.0	—	—	—	4.20	—
YZT24B21S	TPLC100C16MP13C	21.0	CF/CM/CU36C	2	875	23.8	19.9	—	14.00	22.8	14.3	9.60	8.10	4.08	2.68
YZT24B21S	YP9C060B12MP13C	17.5	CF/CM/CU24B	1	525	19.1	13.8	17.00	25.90	16.2	—	—	—	3.92	—
YZT24B21S	YP9C060B12MP13C	17.5	CF/CM/CU24B	2	775	21.8	17.8	—	13.00	23.4	14.6	9.00	7.65	3.80	2.48
YZT24B21S	YP9C060B12MP13C	17.5	CF/CM/CU24C	1	525	19.1	13.7	17.00	26.00	16.2	—	—	—	3.92	—
YZT24B21S	YP9C060B12MP13C	17.5	CF/CM/CU24C	2	775	21.8	17.8	—	13.00	23.4	14.6	9.00	7.70	3.80	2.48
YZT24B21S	YP9C060B12MP13C	17.5	CF/CM/CU30B	1	575	19.6	14.6	16.00	25.05	15.7	—	—	—	3.84	—
YZT24B21S	YP9C060B12MP13C	17.5	CF/CM/CU30B	2	875	22.6	19.3	—	13.00	23.6	14.6	9.00	7.70	3.86	2.52
YZT24B21S	YP9C060B12MP13C	17.5	CF/CM/CU30C	1	575	19.6	14.6	17.00	25.25	15.7	—	—	—	3.86	—
YZT24B21S	YP9C060B12MP13C	17.5	CF/CM/CU30C	2	875	22.8	19.5	—	13.50	23.4	14.5	9.00	7.70	3.88	2.52
YZT24B21S	YP9C060B12MP13C	17.5	CF/CM/CU36B	1	575	20.2	14.8	18.00	27.30	16.0	—	—	—	4.08	—
YZT24B21S	YP9C060B12MP13C	17.5	CF/CM/CU36B	2	875	23.6	19.7	—	14.00	23.0	14.5	9.50	8.00	3.96	2.62
YZT24B21S	YP9C060B12MP13C	17.5	CF/CM/CU36C	1	575	20.2	14.8	18.00	27.55	16.0	—	—	—	4.08	—
YZT24B21S	YP9C060B12MP13C	17.5	CF/CM/CU36C	2	875	23.6	19.7	—	14.00	23.0	14.4	9.60	8.00	4.00	2.64
YZT24B21S	YP9C060B12MP13C	17.5	XAF/XAUB36D	1	575	19.8	14.2	17.00	25.60	16.1	—	—	—	4.06	—

**SYSTEM CAPACITY — With High Efficiency Motor Furnaces<sup>1</sup> (Continued)**

UNIT MODEL	FURNACE MODEL	WIDTH	COIL MODEL <sup>2</sup>	Stage	COOLING					HEATING					
					RATED CFM	NET MBH		SEER	EER	NET MBH		HSPF IV	HSPF V	COP	
						TOTAL	SENS.			47°F OD	17°F OD			47°F OD	17°F OD
YZT24B21S	YP9C060B12MP13C	17.5	XAF/XAUB36D	2	875	23.2	16.0	—	13.50	22.6	14.7	9.25	7.40	4.06	2.68
YZT24B21S	YP9C060B12MP13C	21.0	XAFC36D	1	575	19.8	14.2	17.00	25.70	16.1	—	—	—	4.06	—
YZT24B21S	YP9C060B12MP13C	21.0	XAFC36D	2	875	23.2	16.0	—	13.50	22.6	14.6	9.25	7.40	4.08	2.70
YZT24B21S	YP9C060B12MP13C	17.5	XAHB36D	1	575	19.4	13.4	16.50	24.95	15.7	—	—	—	4.08	—
YZT24B21S	YP9C060B12MP13C	17.5	XAHB36D	2	875	22.6	15.3	—	13.00	21.8	14.2	9.50	7.55	3.94	2.66
YZT24B21S	YP9C060B12MP13C	21.0	XAHC36D	1	575	19.4	13.4	17.00	25.15	15.6	—	—	—	4.10	—
YZT24B21S	YP9C060B12MP13C	21.0	XAHC36D	2	875	22.8	15.5	—	13.00	21.8	14.2	9.50	7.50	3.98	2.68
YZT24B21S	YP9C080B12MP13C	17.5	CF/CM/CU24B	1	600	19.3	14.8	17.00	25.90	16.1	—	—	—	4.12	—
YZT24B21S	YP9C080B12MP13C	17.5	CF/CM/CU24B	2	875	22.2	19.1	—	13.50	23.2	14.5	9.00	7.85	3.90	2.54
YZT24B21S	YP9C080B12MP13C	17.5	CF/CM/CU24C	1	600	19.3	14.8	17.00	26.05	16.1	—	—	—	4.14	—
YZT24B21S	YP9C080B12MP13C	17.5	CF/CM/CU24C	2	850	22.2	18.8	—	13.50	23.2	14.5	9.00	7.85	3.92	2.56
YZT24B21S	YP9C080B12MP13C	17.5	CF/CM/CU30B	1	550	19.3	14.2	17.00	25.55	15.8	—	—	—	3.78	—
YZT24B21S	YP9C080B12MP13C	17.5	CF/CM/CU30B	2	800	22.6	18.4	—	13.50	23.4	14.5	9.00	7.70	3.86	2.52
YZT24B21S	YP9C080B12MP13C	17.5	CF/CM/CU30C	1	600	19.6	15.0	17.00	25.80	15.7	—	—	—	3.88	—
YZT24B21S	YP9C080B12MP13C	17.5	CF/CM/CU30C	2	850	22.8	19.2	—	13.50	23.4	14.5	9.00	7.75	3.92	2.52
YZT24B21S	YP9C080B12MP13C	17.5	CF/CM/CU36B	1	600	20.2	15.2	18.00	27.50	16.0	—	—	—	4.14	—
YZT24B21S	YP9C080B12MP13C	17.5	CF/CM/CU36B	2	850	23.6	19.5	—	14.00	23.0	14.4	9.60	8.05	4.00	2.64
YZT24B21S	YP9C080B12MP13C	17.5	CF/CM/CU36C	1	600	20.4	15.3	18.00	27.75	16.0	—	—	—	4.16	—
YZT24B21S	YP9C080B12MP13C	17.5	CF/CM/CU36C	2	850	23.6	19.4	—	14.00	22.8	14.3	9.60	8.05	4.04	2.66
YZT24B21S	YP9C080B12MP13C	17.5	XAF/XAUB36D	1	625	20.2	14.8	17.50	26.10	16.2	—	—	—	4.18	—
YZT24B21S	YP9C080B12MP13C	17.5	XAF/XAUB36D	2	875	23.2	16.0	—	13.50	22.6	14.6	9.50	7.40	4.12	2.72
YZT24B21S	YP9C080B12MP13C	21.0	XAFC36D	1	600	20.0	14.5	17.00	26.00	16.1	—	—	—	4.12	—
YZT24B21S	YP9C080B12MP13C	21.0	XAFC36D	2	850	23.2	16.1	—	13.50	22.4	14.5	9.50	7.50	4.10	2.72
YZT24B21S	YP9C080B12MP13C	17.5	XAHB36D	1	575	19.4	13.4	17.00	25.20	15.6	—	—	—	4.10	—
YZT24B21S	YP9C080B12MP13C	17.5	XAHB36D	2	800	22.4	15.3	—	13.50	21.6	14.0	9.50	7.55	3.92	2.68
YZT24B21S	YP9C080B12MP13C	21.0	XAHC36D	1	575	19.4	13.4	17.00	25.45	15.6	—	—	—	4.12	—
YZT24B21S	YP9C080B12MP13C	21.0	XAHC36D	2	800	22.4	15.3	—	13.50	21.4	13.9	9.50	7.50	3.96	2.68
YZT24B21S	YP9C100C16MP13C	21.0	CF/CM/CU30C	1	675	20.0	16.0	17.00	27.00	15.8	—	—	—	3.98	—
YZT24B21S	YP9C100C16MP13C	21.0	CF/CM/CU30C	2	900	23.0	19.9	—	14.00	23.2	14.4	9.00	7.80	3.94	2.56
YZT24B21S	YP9C100C16MP13C	21.0	CF/CM/CU36C	1	675	20.6	16.3	18.00	27.85	16.0	—	—	—	4.28	—
YZT24B21S	YP9C100C16MP13C	21.0	CF/CM/CU36C	2	900	23.8	20.2	—	14.00	22.8	14.3	9.60	8.15	4.10	2.68
YZT24B21S	YP9C100C16MP13C	21.0	XAFC36D	1	675	20.4	15.3	17.50	26.40	16.3	—	—	—	4.32	—
YZT24B21S	YP9C100C16MP13C	21.0	XAFC36D	2	900	23.4	16.2	—	13.50	22.6	14.5	9.50	7.45	4.20	2.76
YZT24B21S	YPLC060A12MP13C	14.5	CF/CM/CU24A	1	575	19.4	14.5	17.00	25.90	16.2	—	—	—	4.02	—
YZT24B21S	YPLC060A12MP13C	14.5	CF/CM/CU24A	2	800	21.8	18.0	—	13.00	23.4	14.6	9.00	7.70	3.80	2.48
YZT24B21S	YPLC060A12MP13C	14.5	CF/CM/CU24B	1	625	19.6	15.2	17.00	26.20	16.1	—	—	—	4.16	—
YZT24B21S	YPLC060A12MP13C	14.5	CF/CM/CU24B	2	875	22.2	19.1	—	13.50	23.2	14.5	9.00	7.85	3.90	2.54



**SYSTEM CAPACITY — With High Efficiency Motor Furnaces<sup>1</sup> (Continued)**

UNIT MODEL	FURNACE MODEL	WIDTH	COIL MODEL <sup>2</sup>	Stage	COOLING					HEATING					
					RATED CFM	NET MBH		SEER	EER	NET MBH		HSPF IV	HSPF V	COP	
						TOTAL	SENS.			47°F OD	17°F OD			47°F OD	17°F OD
YZT24B21S	YPLC060A12MP13C	14.5	CF/CM/CU30A	1	625	19.5	15.2	16.00	25.55	15.8	—	—	—	3.88	—
YZT24B21S	YPLC060A12MP13C	14.5	CF/CM/CU30A	2	875	22.6	19.3	—	13.00	23.6	14.6	9.00	7.70	3.84	2.50
YZT24B21S	YPLC060A12MP13C	14.5	CF/CM/CU30B	1	625	19.5	15.2	17.00	26.00	15.8	—	—	—	3.90	—
YZT24B21S	YPLC060A12MP13C	14.5	CF/CM/CU30B	2	875	22.8	19.5	—	13.50	23.4	14.5	9.00	7.75	3.90	2.54
YZT24B21S	YPLC060A12MP13C	14.5	CF/CM/CU36B	1	625	20.2	15.5	18.00	29.65	16.0	—	—	—	4.18	—
YZT24B21S	YPLC060A12MP13C	14.5	CF/CM/CU36B	2	875	23.6	19.7	—	14.00	23.0	14.4	9.60	8.05	4.02	2.66
YZT24B21S	YPLC060A12MP13C	14.5	CF/CM36A	1	625	20.2	15.5	18.00	29.30	16.1	—	—	—	4.16	—
YZT24B21S	YPLC060A12MP13C	14.5	CF/CM36A	2	875	23.6	19.7	—	14.00	23.0	14.5	9.50	8.00	3.96	2.62
YZT24B21S	YPLC080B12MP13C	17.5	CF/CM/CU24C	1	600	19.3	14.8	17.00	25.70	16.1	—	—	—	4.10	—
YZT24B21S	YPLC080B12MP13C	17.5	CF/CM/CU24C	2	875	22.2	19.1	—	13.00	23.4	14.6	9.00	7.80	3.86	2.52
YZT24B21S	YPLC080B12MP13C	17.5	CF/CM/CU30B	1	550	19.2	14.1	16.00	25.30	15.8	—	—	—	3.76	—
YZT24B21S	YPLC080B12MP13C	17.5	CF/CM/CU30B	2	825	22.6	18.7	—	13.00	23.2	14.5	9.00	7.70	3.82	2.52
YZT24B21S	YPLC080B12MP13C	17.5	CF/CM/CU30C	1	550	19.2	14.1	17.00	25.45	15.8	—	—	—	3.76	—
YZT24B21S	YPLC080B12MP13C	17.5	CF/CM/CU30C	2	825	22.6	18.7	—	13.50	23.2	14.5	9.00	7.75	3.82	2.54
YZT24B21S	YPLC080B12MP13C	17.5	CF/CM/CU36B	1	550	20.0	14.4	18.00	27.10	16.0	—	—	—	4.02	—
YZT24B21S	YPLC080B12MP13C	17.5	CF/CM/CU36B	2	825	23.4	19.0	—	14.00	23.0	14.4	9.50	7.95	3.96	2.62
YZT24B21S	YPLC080B12MP13C	17.5	CF/CM/CU36C	1	550	20.0	14.5	18.00	27.30	16.0	—	—	—	4.04	—
YZT24B21S	YPLC080B12MP13C	17.5	CF/CM/CU36C	2	825	23.6	19.2	—	14.00	22.8	14.4	9.50	8.00	3.98	2.62
YZT24B21S	YPLC080B12MP13C	17.5	XAF/XAUB36D	1	550	19.6	13.9	17.00	25.40	16.0	—	—	—	3.98	—
YZT24B21S	YPLC080B12MP13C	17.5	XAF/XAUB36D	2	825	23.0	15.9	—	13.50	22.6	14.6	9.25	7.30	4.02	2.68
YZT24B21S	YPLC080B12MP13C	17.5	XAHB36D	1	550	19.2	13.1	16.50	24.70	15.6	—	—	—	4.02	—
YZT24B21S	YPLC080B12MP13C	17.5	XAHB36D	2	825	22.4	15.2	—	13.00	21.8	14.1	9.50	7.60	3.90	2.64
YZT24B21S	YPLC080B12MP13C	21.0	XAHC36D	1	550	19.2	13.1	16.50	24.85	15.6	—	—	—	4.02	—
YZT24B21S	YPLC080B12MP13C	21.0	XAHC36D	2	825	22.6	15.4	—	13.50	21.6	14.1	9.50	7.55	3.92	2.66
YZT24B21S	YPLC080C16MP13C	21.0	CF/CM/CU24C	1	625	19.6	15.2	17.00	26.60	16.1	—	—	—	4.18	—
YZT24B21S	YPLC080C16MP13C	21.0	CF/CM/CU24C	2	875	22.4	19.3	—	13.50	23.2	14.4	9.00	7.90	3.96	2.58
YZT24B21S	YPLC080C16MP13C	21.0	CF/CM/CU30C	1	625	19.6	15.3	17.00	26.35	15.7	—	—	—	3.92	—
YZT24B21S	YPLC080C16MP13C	21.0	CF/CM/CU30C	2	875	22.8	19.4	—	14.00	23.4	14.4	9.00	7.80	3.94	2.56
YZT24B21S	YPLC080C16MP13C	21.0	CF/CM/CU36C	1	625	20.4	15.6	18.00	30.20	16.0	—	—	—	4.20	—
YZT24B21S	YPLC080C16MP13C	21.0	CF/CM/CU36C	2	875	23.8	19.9	—	14.00	22.8	14.3	9.60	8.10	4.08	2.68
YZT24B21S	YPLC100C16MP13C	21.0	CF/CM/CU24C	1	625	19.6	15.2	17.00	26.60	16.1	—	—	—	4.18	—
YZT24B21S	YPLC100C16MP13C	21.0	CF/CM/CU24C	2	875	22.4	19.3	—	13.50	23.2	14.4	9.00	7.90	3.96	2.58
YZT24B21S	YPLC100C16MP13C	21.0	CF/CM/CU30C	1	625	19.6	15.3	17.00	26.35	15.7	—	—	—	3.92	—
YZT24B21S	YPLC100C16MP13C	21.0	CF/CM/CU30C	2	875	22.8	19.4	—	14.00	23.4	14.4	9.00	7.80	3.94	2.56
YZT24B21S	YPLC100C16MP13C	21.0	CF/CM/CU36C	1	625	20.4	15.6	18.00	30.20	16.0	—	—	—	4.20	—
YZT24B21S	YPLC100C16MP13C	21.0	CF/CM/CU36C	2	875	23.8	19.9	—	14.00	22.8	14.3	9.60	8.10	4.08	2.68
YZT36B21S	TL8E060A12UH11	17.5	XAF/XAUB36D	1	875	28.8	20.4	16.50	23.35	24.2	—	—	—	3.22	—

**SYSTEM CAPACITY — With High Efficiency Motor Furnaces<sup>1</sup> (Continued)**

UNIT MODEL	FURNACE MODEL	WIDTH	COIL MODEL <sup>2</sup>	Stage	COOLING					HEATING					
					RATED CFM	NET MBH		SEER	EER	NET MBH		HSPF IV	HSPF V	COP	
						TOTAL	SENS.			47°F OD	17°F OD			47°F OD	17°F OD
YZT36B21S	TL8E060A12UH11	17.5	XAF/XAUB36D	2	1175	33.6	23.0	—	12.50	34.4	22.4	8.20	6.55	3.40	2.30
YZT36B21S	TL8E080C16UH11	21.0	XAF/XAUC48F	1	975	29.0	20.8	17.00	23.85	24.2	—	—	—	3.44	—
YZT36B21S	TL8E080C16UH11	21.0	XAF/XAUC48F	2	1250	34.4	23.0	—	13.00	34.6	22.4	8.55	6.90	3.68	2.42
YZT36B21S	TL8E080C16UH11	21.0	XAF/XAUC60G	1	1000	30.4	22.4	17.50	24.90	24.2	—	—	—	3.52	—
YZT36B21S	TL8E080C16UH11	21.0	XAF/XAUC60G	2	1275	35.0	23.6	—	13.00	34.0	21.6	8.55	6.80	3.64	2.42
YZT36B21S	TL8E080C16UH11	24.5	XAF/XAUD60G	1	975	30.2	22.0	17.50	24.70	24.2	—	—	—	3.46	—
YZT36B21S	TL8E080C16UH11	24.5	XAF/XAUD60G	2	1275	35.0	23.6	—	13.00	34.0	21.6	8.55	6.90	3.66	2.42
YZT36B21S	TL8E080C16UH11	21.0	XAFC36D	1	950	29.4	21.4	17.00	24.05	24.4	—	—	—	3.34	—
YZT36B21S	TL8E080C16UH11	21.0	XAFC36D	2	1225	34.0	23.2	—	13.00	34.2	22.2	8.55	6.95	3.50	2.36
YZT36B21S	TL8E080C16UH11	24.5	XAFD48F	1	975	29.0	20.8	17.00	23.85	24.2	—	—	—	3.44	—
YZT36B21S	TL8E080C16UH11	24.5	XAFD48F	2	1250	34.4	23.0	—	13.00	34.6	22.4	8.55	6.80	3.68	2.44
YZT36B21S	TL8E080C16UH11	21.0	XAHC36D	1	950	29.2	21.0	16.50	23.25	24.2	—	—	—	3.30	—
YZT36B21S	TL8E080C16UH11	21.0	XAHC36D	2	1325	34.6	23.2	—	12.00	34.6	22.2	8.20	6.50	3.46	2.24
YZT36B21S	TL8E080C16UH11	21.0	XAHC48F	1	1000	29.4	21.4	17.50	24.15	24.8	—	—	—	3.54	—
YZT36B21S	TL8E080C16UH11	21.0	XAHC48F	2	1250	34.2	23.4	—	13.00	34.4	21.8	8.55	6.70	3.60	2.38
YZT36B21S	TL8E080C16UH11	24.5	XAHD48F	1	975	29.2	21.0	17.50	23.90	24.8	—	—	—	3.50	—
YZT36B21S	TL8E080C16UH11	24.5	XAHD48F	2	1250	34.2	23.4	—	13.00	34.4	21.8	8.55	6.65	3.60	2.38
YZT36B21S	TL8E080C16UH11	21.0	XAHD60G	1	975	29.8	21.8	17.50	24.30	24.0	—	—	—	3.46	—
YZT36B21S	TL8E080C16UH11	21.0	XAHD60G	2	1250	34.6	23.8	—	13.00	34.2	22.0	8.55	6.85	3.62	2.46
YZT36B21S	TL9E060B12UH11	21.0	XAF/XAUC48F	1	725	27.6	18.4	16.50	23.10	23.8	—	—	—	3.08	—
YZT36B21S	TL9E060B12UH11	21.0	XAF/XAUC48F	2	1025	33.2	22.2	—	12.50	34.4	22.4	8.20	6.50	3.50	2.36
YZT36B21S	TL9E060B12UH11	21.0	XAF/XAUC60G	1	750	28.6	19.4	17.00	24.00	23.8	—	—	—	3.14	—
YZT36B21S	TL9E060B12UH11	21.0	XAF/XAUC60G	2	1225	34.4	23.2	—	12.00	34.6	22.0	8.20	6.55	3.50	2.32
YZT36B21S	TL9E060B12UH11	21.0	XAFC36D	1	850	28.4	19.9	16.00	22.65	24.2	—	—	—	3.14	—
YZT36B21S	TL9E060B12UH11	21.0	XAFC36D	2	1025	33.2	22.8	—	12.50	34.0	22.2	8.20	6.65	3.36	2.28
YZT36B21S	TL9E060B12UH11	21.0	XAHC48F	1	750	28.0	18.9	17.00	23.40	24.2	—	—	—	3.14	—
YZT36B21S	TL9E060B12UH11	21.0	XAHC48F	2	1025	33.0	22.6	—	12.50	34.4	22.0	8.20	6.60	3.44	2.32
YZT36B21S	TL9E060B12UH11	21.0	XAHC60G	1	775	28.4	19.5	17.00	24.00	23.8	—	—	—	3.18	—
YZT36B21S	TL9E060B12UH11	21.0	XAHC60G	2	1225	34.0	23.2	—	12.00	34.6	22.4	8.20	6.70	3.48	2.38
YZT36B21S	TL9E080C16UH11	21.0	XAF/XAUC48F	1	925	28.8	20.4	17.00	23.65	24.2	—	—	—	3.36	—
YZT36B21S	TL9E080C16UH11	21.0	XAF/XAUC48F	2	1250	34.2	22.8	—	13.00	34.6	22.4	8.55	6.95	3.66	2.42
YZT36B21S	TL9E080C16UH11	21.0	XAF/XAUC60G	1	925	29.8	21.4	17.50	24.45	24.0	—	—	—	3.38	—
YZT36B21S	TL9E080C16UH11	21.0	XAF/XAUC60G	2	1250	34.8	23.6	—	13.00	34.2	21.6	8.55	6.75	3.60	2.40
YZT36B21S	TL9E080C16UH11	24.5	XAF/XAUD60G	1	925	29.8	21.4	17.50	24.45	24.0	—	—	—	3.38	—
YZT36B21S	TL9E080C16UH11	24.5	XAF/XAUD60G	2	1250	34.8	23.6	—	13.00	34.2	21.6	8.55	6.75	3.60	2.40
YZT36B21S	TL9E080C16UH11	21.0	XAFC36D	1	900	29.0	20.8	17.00	23.85	24.2	—	—	—	3.28	—
YZT36B21S	TL9E080C16UH11	21.0	XAFC36D	2	1225	34.0	23.2	—	12.50	34.2	22.4	8.20	6.65	3.48	2.34

**SYSTEM CAPACITY — With High Efficiency Motor Furnaces<sup>1</sup> (Continued)**

UNIT MODEL	FURNACE MODEL	WIDTH	COIL MODEL <sup>2</sup>	Stage	COOLING					HEATING					
					RATED CFM	NET MBH		SEER	EER	NET MBH		HSPF IV	HSPF V	COP	
						TOTAL	SENS.			47°F OD	17°F OD			47°F OD	17°F OD
YZT36B21S	TL9E080C16UH11	24.5	XAFD48F	1	925	28.8	20.4	17.00	23.65	24.2	—	—	—	3.36	—
YZT36B21S	TL9E080C16UH11	24.5	XAFD48F	2	1250	34.2	22.8	—	13.00	34.6	22.4	8.55	6.95	3.66	2.42
YZT36B21S	TL9E080C16UH11	21.0	XAHC48F	1	950	29.2	21.0	17.50	24.05	24.6	—	—	—	3.46	—
YZT36B21S	TL9E080C16UH11	21.0	XAHC48F	2	1400	34.4	23.4	—	12.00	35.0	22.0	8.55	6.75	3.60	2.36
YZT36B21S	TL9E080C16UH11	21.0	XAHC60G	1	950	29.6	21.6	17.50	24.50	24.0	—	—	—	3.44	—
YZT36B21S	TL9E080C16UH11	21.0	XAHC60G	2	1275	34.6	23.8	—	13.00	34.2	22.2	8.55	6.85	3.62	2.46
YZT36B21S	TL9E080C16UH11	24.5	XAHD48F	1	925	29.0	20.6	17.00	23.80	24.6	—	—	—	3.42	—
YZT36B21S	TL9E080C16UH11	24.5	XAHD48F	2	1400	34.4	23.4	—	12.00	35.0	22.0	8.55	6.70	3.60	2.36
YZT36B21S	TL9E080C16UH11	21.0	XAHD60G	1	925	29.4	21.2	17.00	24.10	24.0	—	—	—	3.38	—
YZT36B21S	TL9E080C16UH11	21.0	XAHD60G	2	1250	34.4	23.6	—	12.50	34.2	22.2	8.55	7.00	3.60	2.44
YZT36B21S	TM8E040A12MP11	17.5	XAF/XAUB36D	1	800	28.2	19.5	17.00	23.85	24.0	—	—	—	3.14	—
YZT36B21S	TM8E040A12MP11	17.5	XAF/XAUB36D	2	1175	33.8	23.2	—	12.50	34.2	22.4	8.20	6.55	3.44	2.32
YZT36B21S	TM8E060A12MP11	17.5	XAF/XAUB36D	1	900	29.0	20.8	16.50	23.60	24.2	—	—	—	3.26	—
YZT36B21S	TM8E060A12MP11	17.5	XAF/XAUB36D	2	1200	33.8	23.0	—	12.50	34.4	22.4	8.20	6.50	3.44	2.32
YZT36B21S	TM8E080B12MP11	17.5	XAF/XAUB36D	1	775	28.0	19.2	17.00	23.75	24.0	—	—	—	3.10	—
YZT36B21S	TM8E080B12MP11	17.5	XAF/XAUB36D	2	1200	33.6	22.8	—	12.50	34.4	22.6	8.20	6.65	3.42	2.32
YZT36B21S	TM8E080B12MP11	21.0	XAF/XAUC48F	1	925	28.6	20.2	16.50	23.20	24.2	—	—	—	3.34	—
YZT36B21S	TM8E080B12MP11	21.0	XAF/XAUC48F	2	1225	34.0	22.6	—	12.50	34.8	22.6	8.55	6.85	3.60	2.38
YZT36B21S	TM8E080B12MP11	21.0	XAF/XAUC60G	1	800	29.0	20.0	17.50	24.40	23.8	—	—	—	3.20	—
YZT36B21S	TM8E080B12MP11	21.0	XAF/XAUC60G	2	1050	34.0	23.0	—	13.00	33.8	21.2	8.20	6.35	3.52	2.36
YZT36B21S	TM8E080B12MP11	21.0	XAFC36D	1	775	28.0	19.2	17.00	23.80	24.0	—	—	—	3.10	—
YZT36B21S	TM8E080B12MP11	21.0	XAFC36D	2	1200	33.6	22.8	—	12.50	34.4	22.4	8.20	6.65	3.42	2.32
YZT36B21S	TM8E080B12MP11	21.0	XAHC48F	1	825	28.4	19.6	17.00	24.00	24.4	—	—	—	3.26	—
YZT36B21S	TM8E080B12MP11	21.0	XAHC48F	2	1225	33.8	23.2	—	12.50	34.6	22.0	8.50	6.70	3.52	2.34
YZT36B21S	TM8E080B12MP11	21.0	XAHC60G	1	850	29.0	20.4	17.50	24.55	23.8	—	—	—	3.28	—
YZT36B21S	TM8E080B12MP11	21.0	XAHC60G	2	1250	34.4	23.6	—	12.50	34.4	22.2	8.55	6.85	3.56	2.42
YZT36B21S	TM8E080C16MP11	21.0	XAF/XAUC48F	1	975	29.0	20.8	17.00	23.85	24.2	—	—	—	3.44	—
YZT36B21S	TM8E080C16MP11	21.0	XAF/XAUC48F	2	1250	34.4	23.0	—	13.00	34.4	22.2	8.55	6.80	3.68	2.44
YZT36B21S	TM8E080C16MP11	21.0	XAF/XAUC60G	1	1000	30.4	22.4	17.50	24.90	24.2	—	—	—	3.52	—
YZT36B21S	TM8E080C16MP11	21.0	XAF/XAUC60G	2	1275	35.0	23.6	—	13.00	34.0	21.6	8.55	6.80	3.66	2.42
YZT36B21S	TM8E080C16MP11	24.5	XAF/XAUD60G	1	1000	30.4	22.4	17.50	24.85	24.2	—	—	—	3.52	—
YZT36B21S	TM8E080C16MP11	24.5	XAF/XAUD60G	2	1275	35.0	23.6	—	13.00	34.0	21.6	8.55	6.80	3.66	2.42
YZT36B21S	TM8E080C16MP11	21.0	XAFC36D	1	950	29.4	21.4	17.00	24.05	24.4	—	—	—	3.34	—
YZT36B21S	TM8E080C16MP11	21.0	XAFC36D	2	1225	34.0	23.2	—	13.00	34.0	22.2	8.55	6.95	3.50	2.36
YZT36B21S	TM8E080C16MP11	24.5	XAFD48F	1	975	29.0	20.8	17.00	23.85	24.2	—	—	—	3.44	—
YZT36B21S	TM8E080C16MP11	24.5	XAFD48F	2	1275	34.4	23.0	—	13.00	34.4	22.2	8.55	6.80	3.70	2.44
YZT36B21S	TM8E080C16MP11	21.0	XAHC36D	1	950	29.2	21.0	16.50	23.25	24.2	—	—	—	3.30	—

**SYSTEM CAPACITY — With High Efficiency Motor Furnaces<sup>1</sup> (Continued)**

UNIT MODEL	FURNACE MODEL	WIDTH	COIL MODEL <sup>2</sup>	Stage	COOLING					HEATING					
					RATED CFM	NET MBH		SEER	EER	NET MBH		HSPF IV	HSPF V	COP	
						TOTAL	SENS.			47°F OD	17°F OD			47°F OD	17°F OD
YZT36B21S	TM8E080C16MP11	21.0	XAHC36D	2	1225	34.4	23.2	—	12.50	34.0	21.8	8.20	6.60	3.46	2.24
YZT36B21S	TM8E080C16MP11	21.0	XAHC48F	1	1000	29.4	21.4	17.50	24.15	24.8	—	—	—	3.56	—
YZT36B21S	TM8E080C16MP11	21.0	XAHC48F	2	1275	34.2	23.4	—	13.00	34.4	21.6	8.55	6.85	3.62	2.38
YZT36B21S	TM8E080C16MP11	21.0	XAHC60G	1	875	29.2	20.8	17.50	24.70	23.8	—	—	—	3.34	—
YZT36B21S	TM8E080C16MP11	21.0	XAHC60G	2	1100	34.2	23.6	—	13.00	33.6	21.6	8.55	6.80	3.56	2.44
YZT36B21S	TM8E080C16MP11	24.5	XAHD48F	1	975	29.2	21.0	17.50	23.90	24.8	—	—	—	3.50	—
YZT36B21S	TM8E080C16MP11	24.5	XAHD48F	2	1250	34.2	23.4	—	13.00	34.4	21.8	8.55	6.65	3.60	2.38
YZT36B21S	TM8E080C16MP11	21.0	XAHD60G	1	975	29.8	21.8	17.50	24.30	24.0	—	—	—	3.46	—
YZT36B21S	TM8E080C16MP11	21.0	XAHD60G	2	1250	34.6	23.8	—	13.00	34.0	22.0	8.55	6.85	3.62	2.46
YZT36B21S	TM8E100B12MP11	17.5	XAF/XAUB36D	1	750	28.0	19.0	17.00	23.75	23.8	—	—	—	3.06	—
YZT36B21S	TM8E100B12MP11	17.5	XAF/XAUB36D	2	1200	33.8	23.0	—	12.50	34.2	22.4	8.20	6.65	3.44	2.32
YZT36B21S	TM8E100B12MP11	21.0	XAF/XAUC48F	1	950	28.8	20.6	17.00	23.40	24.2	—	—	—	3.38	—
YZT36B21S	TM8E100B12MP11	21.0	XAF/XAUC48F	2	1225	34.0	22.6	—	12.50	34.6	22.4	8.55	6.75	3.60	2.40
YZT36B21S	TM8E100B12MP11	21.0	XAF/XAUC60G	1	950	30.0	21.8	17.00	24.25	24.2	—	—	—	3.40	—
YZT36B21S	TM8E100B12MP11	21.0	XAF/XAUC60G	2	1250	34.8	23.6	—	13.00	34.2	21.6	8.55	6.75	3.58	2.38
YZT36B21S	TM8E100B12MP11	21.0	XAFC36D	1	850	28.6	20.2	17.00	23.70	24.2	—	—	—	3.20	—
YZT36B21S	TM8E100B12MP11	21.0	XAFC36D	2	1200	33.8	23.0	—	12.50	34.2	22.4	8.20	6.50	3.44	2.32
YZT36B21S	TM8E100B12MP11	21.0	XAHC48F	1	775	28.2	19.2	17.00	23.90	24.2	—	—	—	3.18	—
YZT36B21S	TM8E100B12MP11	21.0	XAHC48F	2	1075	33.4	23.0	—	13.00	34.2	21.8	8.20	6.45	3.50	2.34
YZT36B21S	TM8E100B12MP11	21.0	XAHC60G	1	925	29.6	21.4	17.50	24.60	24.0	—	—	—	3.40	—
YZT36B21S	TM8E100B12MP11	21.0	XAHC60G	2	1250	34.4	23.6	—	12.50	34.2	22.2	8.55	6.95	3.58	2.44
YZT36B21S	TM8E100C16MP11	21.0	XAF/XAUC48F	1	975	29.0	20.8	17.00	23.90	24.2	—	—	—	3.44	—
YZT36B21S	TM8E100C16MP11	21.0	XAF/XAUC48F	2	1275	34.4	23.0	—	13.00	34.6	22.4	8.55	6.80	3.68	2.44
YZT36B21S	TM8E100C16MP11	21.0	XAF/XAUC60G	1	1000	30.4	22.4	17.50	24.95	24.2	—	—	—	3.52	—
YZT36B21S	TM8E100C16MP11	21.0	XAF/XAUC60G	2	1300	35.2	23.8	—	13.00	34.0	21.6	8.55	6.80	3.66	2.42
YZT36B21S	TM8E100C16MP11	24.5	XAF/XAUD60G	1	975	30.2	22.0	17.50	24.75	24.2	—	—	—	3.48	—
YZT36B21S	TM8E100C16MP11	24.5	XAF/XAUD60G	2	1300	35.2	23.8	—	13.00	34.0	21.6	8.55	6.80	3.66	2.42
YZT36B21S	TM8E100C16MP11	21.0	XAFC36D	1	925	29.2	21.2	17.00	23.90	24.4	—	—	—	3.30	—
YZT36B21S	TM8E100C16MP11	21.0	XAFC36D	2	1075	33.6	23.0	—	13.00	33.8	22.0	8.20	6.45	3.46	2.34
YZT36B21S	TM8E100C16MP11	24.5	XAFD48F	1	975	29.0	20.8	17.00	23.95	24.2	—	—	—	3.44	—
YZT36B21S	TM8E100C16MP11	24.5	XAFD48F	2	1300	34.6	23.2	—	13.00	34.6	22.4	8.55	6.70	3.72	2.44
YZT36B21S	TM8E100C16MP11	21.0	XAHC36D	1	925	29.0	20.8	16.50	23.15	24.0	—	—	—	3.26	—
YZT36B21S	TM8E100C16MP11	21.0	XAHC36D	2	1250	34.6	23.4	—	12.50	34.2	22.0	8.20	6.60	3.46	2.24
YZT36B21S	TM8E100C16MP11	21.0	XAHC48F	1	850	28.6	19.9	17.50	24.25	24.4	—	—	—	3.32	—
YZT36B21S	TM8E100C16MP11	21.0	XAHC48F	2	1300	34.4	23.6	—	13.00	34.4	21.6	8.55	6.75	3.64	2.40
YZT36B21S	TM8E100C16MP11	21.0	XAHC60G	1	900	29.4	21.0	18.00	25.05	23.8	—	—	—	3.40	—
YZT36B21S	TM8E100C16MP11	21.0	XAHC60G	2	1325	35.0	24.0	—	13.00	34.2	22.2	8.55	6.75	3.68	2.48

SYSTEM CAPACITY — With High Efficiency Motor Furnaces<sup>1</sup> (Continued)

UNIT MODEL	FURNACE MODEL	WIDTH	COIL MODEL <sup>2</sup>	Stage	COOLING					HEATING					
					RATED CFM	NET MBH		SEER	EER	NET MBH		HSPF IV	HSPF V	COP	
						TOTAL	SENS.			47°F OD	17°F OD			47°F OD	17°F OD
YZT36B21S	TM8E100C16MP11	24.5	XAHD48F	1	975	29.4	21.2	17.50	24.00	24.8	—	—	—	3.50	—
YZT36B21S	TM8E100C16MP11	24.5	XAHD48F	2	1275	34.2	23.4	—	13.00	34.4	21.8	8.55	6.65	3.62	2.38
YZT36B21S	TM8E100C16MP11	21.0	XAHD60G	1	975	29.8	21.8	17.50	24.40	24.0	—	—	—	3.48	—
YZT36B21S	TM8E100C16MP11	21.0	XAHD60G	2	1275	34.6	23.8	—	13.00	34.2	22.2	8.55	6.75	3.64	2.46
YZT36B21S	TM8E120C16MP11	21.0	XAF/XAUC48F	1	975	29.0	20.8	17.00	23.90	24.2	—	—	—	3.44	—
YZT36B21S	TM8E120C16MP11	21.0	XAF/XAUC48F	2	1275	34.4	23.0	—	13.00	34.6	22.4	8.55	6.80	3.70	2.44
YZT36B21S	TM8E120C16MP11	21.0	XAF/XAUC60G	1	875	29.6	21.0	17.50	25.05	23.8	—	—	—	3.34	—
YZT36B21S	TM8E120C16MP11	21.0	XAF/XAUC60G	2	1300	35.2	23.8	—	13.00	34.0	21.6	8.55	6.70	3.66	2.42
YZT36B21S	TM8E120C16MP11	24.5	XAF/XAUD60G	1	850	29.4	20.6	17.50	24.80	23.8	—	—	—	3.30	—
YZT36B21S	TM8E120C16MP11	24.5	XAF/XAUD60G	2	1300	35.2	23.8	—	13.00	34.0	21.6	8.55	6.70	3.68	2.42
YZT36B21S	TM8E120C16MP11	21.0	XAFC36D	1	950	29.4	21.4	17.00	24.15	24.4	—	—	—	3.36	—
YZT36B21S	TM8E120C16MP11	21.0	XAFC36D	2	1250	34.2	23.4	—	13.00	34.2	22.2	8.55	6.90	3.52	2.36
YZT36B21S	TM8E120C16MP11	24.5	XAFD48F	1	975	29.0	20.8	17.00	23.95	24.2	—	—	—	3.44	—
YZT36B21S	TM8E120C16MP11	24.5	XAFD48F	2	1300	34.6	23.2	—	13.00	34.6	22.4	8.55	6.70	3.72	2.44
YZT36B21S	TM8E120C16MP11	21.0	XAHC36D	1	950	29.2	21.0	16.50	23.35	24.2	—	—	—	3.30	—
YZT36B21S	TM8E120C16MP11	21.0	XAHC36D	2	1250	34.6	23.4	—	12.50	34.2	22.0	8.20	6.50	3.46	2.24
YZT36B21S	TM8E120C16MP11	21.0	XAHC48F	1	875	28.8	20.2	17.50	24.40	24.4	—	—	—	3.36	—
YZT36B21S	TM8E120C16MP11	21.0	XAHC48F	2	1300	34.4	23.6	—	13.00	34.4	21.6	8.55	6.75	3.64	2.40
YZT36B21S	TM8E120C16MP11	21.0	XAHC60G	1	900	29.4	21.0	18.00	25.05	23.8	—	—	—	3.40	—
YZT36B21S	TM8E120C16MP11	21.0	XAHC60G	2	1325	35.0	24.0	—	13.00	34.2	22.0	8.55	6.80	3.70	2.48
YZT36B21S	TM8E120C16MP11	24.5	XAHD48F	1	975	29.4	21.2	17.50	24.00	24.8	—	—	—	3.50	—
YZT36B21S	TM8E120C16MP11	24.5	XAHD48F	2	1300	34.4	23.6	—	13.00	34.4	21.6	8.55	6.85	3.64	2.40
YZT36B21S	TM8E120C16MP11	21.0	XAHD60G	1	975	29.8	21.8	17.50	24.40	24.0	—	—	—	3.48	—
YZT36B21S	TM8E120C16MP11	21.0	XAHD60G	2	1300	34.8	24.0	—	13.00	34.2	22.2	8.55	6.75	3.66	2.48
YZT36B21S	TM8V060A12MP12C	14.5	CF/CM/CU36B	1	675	27.4	19.1	17.00	24.30	28.6	—	—	—	4.02	—
YZT36B21S	TM8V060A12MP12C	14.5	CF/CM/CU36B	2	975	34.0	25.0	—	13.00	35.2	21.8	9.50	8.25	3.74	2.68
YZT36B21S	TM8V060A12MP12C	14.5	CF42B	1	675	27.4	19.0	17.00	24.50	28.4	—	—	—	3.50	—
YZT36B21S	TM8V060A12MP12C	14.5	CF42B	2	975	33.2	24.8	—	13.00	35.2	21.8	9.25	8.15	3.68	2.68
YZT36B21S	TM8V060A12MP12C	17.5	XAF/XAUB36D	1	850	28.6	20.2	16.50	23.55	24.2	—	—	—	3.20	—
YZT36B21S	TM8V060A12MP12C	17.5	XAF/XAUB36D	2	1275	33.8	23.0	—	12.00	34.4	22.6	8.20	6.50	3.44	2.32
YZT36B21S	TM8V080B12MP12C	17.5	CF/CM/CU36C	1	675	27.2	19.0	17.00	24.00	28.6	—	—	—	4.00	—
YZT36B21S	TM8V080B12MP12C	17.5	CF/CM/CU36C	2	1000	34.4	25.4	—	13.00	35.4	21.8	9.00	8.25	3.74	2.68
YZT36B21S	TM8V080B12MP12C	17.5	CF/CM/CU42C	1	675	27.6	19.1	17.00	24.45	28.6	—	—	—	3.42	—
YZT36B21S	TM8V080B12MP12C	17.5	CF/CM/CU42C	2	1000	33.4	25.0	—	13.00	35.4	21.8	9.00	8.10	3.62	2.68
YZT36B21S	TM8V080B12MP12C	17.5	CF/CM/CU48C	1	675	28.2	19.4	17.00	25.30	24.4	—	—	—	3.30	—
YZT36B21S	TM8V080B12MP12C	17.5	CF/CM/CU48C	2	1000	35.0	25.8	—	13.00	35.8	21.8	9.00	8.05	3.80	2.68
YZT36B21S	TM8V080B12MP12C	17.5	CF/CM/CU60C	1	800	29.8	21.6	18.00	25.80	24.6	—	—	—	3.42	—

**SYSTEM CAPACITY — With High Efficiency Motor Furnaces<sup>1</sup> (Continued)**

UNIT MODEL	FURNACE MODEL	WIDTH	COIL MODEL <sup>2</sup>	Stage	COOLING					HEATING					
					RATED CFM	NET MBH		SEER	EER	NET MBH		HSPF IV	HSPF V	COP	
						TOTAL	SENS.			47°F OD	17°F OD			47°F OD	17°F OD
YZT36B21S	TM8V080B12MP12C	17.5	CF/CM/CU60C	2	1200	35.2	28.0	—	13.00	36.0	22.4	9.60	8.40	3.72	2.82
YZT36B21S	TM8V080B12MP12C	21.0	XAF/XAUC48F	1	725	27.6	18.4	16.50	22.90	23.8	—	—	—	3.08	—
YZT36B21S	TM8V080B12MP12C	21.0	XAF/XAUC48F	2	1125	33.4	22.2	—	12.50	34.6	22.6	8.20	6.55	3.52	2.36
YZT36B21S	TM8V080B12MP12C	21.0	XAF/XAUC60G	1	800	28.8	19.8	17.00	23.70	23.8	—	—	—	3.20	—
YZT36B21S	TM8V080B12MP12C	21.0	XAF/XAUC60G	2	1200	34.2	23.0	—	12.00	34.4	22.0	8.20	6.55	3.48	2.32
YZT36B21S	TM8V080B12MP12C	21.0	XAHC48F	1	725	27.8	18.6	16.50	23.25	24.0	—	—	—	3.10	—
YZT36B21S	TM8V080B12MP12C	21.0	XAHC48F	2	1125	33.2	22.8	—	12.00	34.6	22.0	8.20	6.60	3.46	2.32
YZT36B21S	TM8V080B12MP12C	21.0	XAHC60G	1	725	28.2	19.0	17.00	23.80	23.6	—	—	—	3.12	—
YZT36B21S	TM8V080B12MP12C	21.0	XAHC60G	2	1100	33.6	23.0	—	12.50	34.0	22.2	8.20	6.50	3.44	2.38
YZT36B21S	TM8V080C16MP12C	21.0	CF/CM/CU36C	1	700	27.4	19.4	17.00	24.65	28.4	—	—	—	4.46	—
YZT36B21S	TM8V080C16MP12C	21.0	CF/CM/CU36C	2	1050	34.6	26.2	—	13.00	34.8	21.8	9.50	8.40	4.08	2.68
YZT36B21S	TM8V080C16MP12C	21.0	CF/CM/CU42C	1	650	27.6	18.8	17.00	24.45	28.6	—	—	—	3.30	—
YZT36B21S	TM8V080C16MP12C	21.0	CF/CM/CU42C	2	950	33.8	24.8	—	13.00	35.4	21.8	9.00	8.05	3.58	2.68
YZT36B21S	TM8V080C16MP12C	21.0	CF/CM/CU42D	1	700	28.6	19.8	17.00	25.65	28.8	—	—	—	3.24	—
YZT36B21S	TM8V080C16MP12C	21.0	CF/CM/CU42D	2	1050	34.0	26.0	—	13.00	35.6	21.8	9.00	8.05	3.54	2.68
YZT36B21S	TM8V080C16MP12C	21.0	CF/CM/CU48C	1	650	28.2	19.1	18.00	25.80	24.4	—	—	—	3.24	—
YZT36B21S	TM8V080C16MP12C	21.0	CF/CM/CU48C	2	950	34.8	25.2	—	14.00	35.6	21.8	9.00	8.05	3.82	2.68
YZT36B21S	TM8V080C16MP12C	21.0	CF/CM/CU48D	1	700	28.8	20.0	18.00	26.15	24.4	—	—	—	3.40	—
YZT36B21S	TM8V080C16MP12C	21.0	CF/CM/CU48D	2	1050	35.4	26.6	—	14.00	35.6	21.8	9.50	8.10	3.88	2.68
YZT36B21S	TM8V080C16MP12C	21.0	CF/CM/CU60C	1	800	29.6	21.4	18.00	26.50	24.0	—	—	—	3.80	—
YZT36B21S	TM8V080C16MP12C	21.0	CF/CM/CU60C	2	1150	35.6	28.0	—	14.00	35.2	22.4	10.00	8.60	4.16	2.82
YZT36B21S	TM8V080C16MP12C	21.0	CF/CM/CU60D	1	800	29.6	21.4	18.00	26.60	24.0	—	—	—	3.80	—
YZT36B21S	TM8V080C16MP12C	21.0	CF/CM/CU60D	2	1150	35.8	28.0	—	14.00	35.2	22.4	10.00	8.65	4.18	2.82
YZT36B21S	TM8V080C16MP12C	21.0	XAF/XAUC48F	1	850	28.4	19.7	17.00	23.85	24.0	—	—	—	3.28	—
YZT36B21S	TM8V080C16MP12C	21.0	XAF/XAUC48F	2	1275	34.4	23.0	—	13.00	34.6	22.4	8.55	6.95	3.68	2.44
YZT36B21S	TM8V080C16MP12C	21.0	XAF/XAUC60G	1	850	29.4	20.6	17.50	24.75	23.8	—	—	—	3.30	—
YZT36B21S	TM8V080C16MP12C	21.0	XAF/XAUC60G	2	1275	35.0	23.6	—	13.00	34.0	21.6	8.55	6.80	3.66	2.42
YZT36B21S	TM8V080C16MP12C	24.5	XAF/XAUD60G	1	850	29.4	20.6	17.50	24.65	23.8	—	—	—	3.30	—
YZT36B21S	TM8V080C16MP12C	24.5	XAF/XAUD60G	2	1275	35.0	23.6	—	13.00	34.0	21.6	8.55	6.70	3.66	2.42
YZT36B21S	TM8V080C16MP12C	21.0	XAFC36D	1	975	29.6	21.8	17.00	24.00	24.4	—	—	—	3.40	—
YZT36B21S	TM8V080C16MP12C	21.0	XAFC36D	2	1425	34.4	23.4	—	12.00	34.6	22.8	8.55	6.75	3.56	2.38
YZT36B21S	TM8V080C16MP12C	24.5	XAFD48F	1	850	28.4	19.7	17.00	23.85	24.0	—	—	—	3.28	—
YZT36B21S	TM8V080C16MP12C	24.5	XAFD48F	2	1275	34.4	23.0	—	13.00	34.6	22.4	8.55	6.95	3.70	2.44
YZT36B21S	TM8V080C16MP12C	21.0	XAHC36D	1	900	28.8	20.4	16.00	23.15	23.8	—	—	—	3.22	—
YZT36B21S	TM8V080C16MP12C	21.0	XAHC36D	2	1400	34.8	23.4	—	12.00	34.8	22.2	8.20	6.55	3.50	2.26
YZT36B21S	TM8V080C16MP12C	21.0	XAHC48F	1	950	29.2	21.0	17.50	24.10	24.6	—	—	—	3.48	—
YZT36B21S	TM8V080C16MP12C	21.0	XAHC48F	2	1425	34.6	23.6	—	12.50	34.8	21.8	8.55	6.85	3.66	2.38

**SYSTEM CAPACITY — With High Efficiency Motor Furnaces<sup>1</sup> (Continued)**

UNIT MODEL	FURNACE MODEL	WIDTH	COIL MODEL <sup>2</sup>	Stage	COOLING					HEATING					
					RATED CFM	NET MBH		SEER	EER	NET MBH		HSPF IV	HSPF V	COP	
						TOTAL	SENS.			47°F OD	17°F OD			47°F OD	17°F OD
YZT36B21S	TM8V080C16MP12C	21.0	XAHC60G	1	850	29.0	20.4	17.50	24.80	23.8	—	—	—	3.32	—
YZT36B21S	TM8V080C16MP12C	21.0	XAHC60G	2	1275	34.8	24.0	—	13.00	34.0	22.0	8.55	6.90	3.66	2.48
YZT36B21S	TM8V080C16MP12C	24.5	XAHD48F	1	900	28.8	20.4	17.00	23.85	24.4	—	—	—	3.38	—
YZT36B21S	TM8V080C16MP12C	24.5	XAHD48F	2	1400	34.6	23.6	—	12.50	34.6	21.8	8.55	6.65	3.66	2.40
YZT36B21S	TM8V080C16MP12C	21.0	XAHD60G	1	850	29.0	20.4	17.00	24.25	23.8	—	—	—	3.30	—
YZT36B21S	TM8V080C16MP12C	21.0	XAHD60G	2	1275	34.6	23.8	—	12.50	34.2	22.2	8.55	6.90	3.64	2.46
YZT36B21S	TM8V100C16MP12C	21.0	CF/CM/CU36C	1	700	27.4	19.4	17.00	24.65	28.4	—	—	—	4.46	—
YZT36B21S	TM8V100C16MP12C	21.0	CF/CM/CU36C	2	1050	34.6	26.2	—	13.00	34.8	21.8	9.50	8.40	4.08	2.68
YZT36B21S	TM8V100C16MP12C	21.0	CF/CM/CU42C	1	650	27.6	18.8	17.00	24.45	28.6	—	—	—	3.30	—
YZT36B21S	TM8V100C16MP12C	21.0	CF/CM/CU42C	2	950	33.8	24.8	—	13.00	35.4	21.8	9.00	8.05	3.58	2.68
YZT36B21S	TM8V100C16MP12C	21.0	CF/CM/CU42D	1	700	28.6	19.8	17.00	25.65	28.8	—	—	—	3.24	—
YZT36B21S	TM8V100C16MP12C	21.0	CF/CM/CU42D	2	1050	34.0	26.0	—	13.00	35.6	21.8	9.00	8.05	3.54	2.68
YZT36B21S	TM8V100C16MP12C	21.0	CF/CM/CU48C	1	650	28.2	19.1	18.00	25.80	24.4	—	—	—	3.24	—
YZT36B21S	TM8V100C16MP12C	21.0	CF/CM/CU48C	2	950	34.8	25.2	—	14.00	35.6	21.8	9.00	8.05	3.82	2.68
YZT36B21S	TM8V100C16MP12C	21.0	CF/CM/CU48D	1	700	28.8	20.0	18.00	26.15	24.4	—	—	—	3.40	—
YZT36B21S	TM8V100C16MP12C	21.0	CF/CM/CU48D	2	1050	35.4	26.6	—	14.00	35.6	21.8	9.50	8.10	3.88	2.68
YZT36B21S	TM8V100C16MP12C	21.0	CF/CM/CU60C	1	800	29.6	21.4	18.00	26.50	24.0	—	—	—	3.80	—
YZT36B21S	TM8V100C16MP12C	21.0	CF/CM/CU60C	2	1150	35.6	28.0	—	14.00	35.2	22.4	10.00	8.60	4.16	2.82
YZT36B21S	TM8V100C16MP12C	21.0	CF/CM/CU60D	1	800	29.6	21.4	18.00	26.60	24.0	—	—	—	3.80	—
YZT36B21S	TM8V100C16MP12C	21.0	CF/CM/CU60D	2	1150	35.8	28.0	—	14.00	35.2	22.4	10.00	8.65	4.18	2.82
YZT36B21S	TM8V100C16MP12C	21.0	XAF/XAUC48F	1	850	28.4	19.7	17.00	23.85	24.0	—	—	—	3.28	—
YZT36B21S	TM8V100C16MP12C	21.0	XAF/XAUC48F	2	1275	34.4	23.0	—	13.00	34.6	22.4	8.55	6.95	3.68	2.44
YZT36B21S	TM8V100C16MP12C	21.0	XAF/XAUC60G	1	850	29.4	20.6	17.50	24.75	23.8	—	—	—	3.30	—
YZT36B21S	TM8V100C16MP12C	21.0	XAF/XAUC60G	2	1275	35.0	23.6	—	13.00	34.0	21.6	8.55	6.80	3.66	2.42
YZT36B21S	TM8V100C16MP12C	24.5	XAF/XAUD60G	1	850	29.4	20.6	17.50	24.65	23.8	—	—	—	3.30	—
YZT36B21S	TM8V100C16MP12C	24.5	XAF/XAUD60G	2	1275	35.0	23.6	—	13.00	34.0	21.6	8.55	6.70	3.66	2.42
YZT36B21S	TM8V100C16MP12C	21.0	XAFC36D	1	975	29.6	21.8	17.00	24.00	24.4	—	—	—	3.40	—
YZT36B21S	TM8V100C16MP12C	21.0	XAFC36D	2	1425	34.4	23.4	—	12.00	34.6	22.8	8.55	6.75	3.56	2.38
YZT36B21S	TM8V100C16MP12C	24.5	XAFD48F	1	850	28.4	19.7	17.00	23.85	24.0	—	—	—	3.28	—
YZT36B21S	TM8V100C16MP12C	24.5	XAFD48F	2	1275	34.4	23.0	—	13.00	34.6	22.4	8.55	6.95	3.70	2.44
YZT36B21S	TM8V100C16MP12C	21.0	XAHC36D	1	900	28.8	20.4	16.00	23.20	23.8	—	—	—	3.22	—
YZT36B21S	TM8V100C16MP12C	21.0	XAHC36D	2	1425	34.8	23.2	—	12.00	34.8	22.4	8.20	6.55	3.50	2.28
YZT36B21S	TM8V100C16MP12C	21.0	XAHC48F	1	900	28.8	20.4	17.50	24.20	24.4	—	—	—	3.40	—
YZT36B21S	TM8V100C16MP12C	21.0	XAHC48F	2	1425	34.6	23.6	—	12.50	34.8	21.8	8.55	6.65	3.66	2.40
YZT36B21S	TM8V100C16MP12C	21.0	XAHC60G	1	850	29.0	20.4	17.50	24.80	23.8	—	—	—	3.32	—
YZT36B21S	TM8V100C16MP12C	21.0	XAHC60G	2	1275	34.8	24.0	—	13.00	34.0	22.0	8.55	6.90	3.66	2.48
YZT36B21S	TM8V100C16MP12C	24.5	XAHD48F	1	975	29.2	21.0	17.00	23.80	24.8	—	—	—	3.50	—

**SYSTEM CAPACITY — With High Efficiency Motor Furnaces<sup>1</sup> (Continued)**

UNIT MODEL	FURNACE MODEL	WIDTH	COIL MODEL <sup>2</sup>	Stage	COOLING					HEATING					
					RATED CFM	NET MBH		SEER	EER	NET MBH		HSPF IV	HSPF V	COP	
						TOTAL	SENS.			47°F OD	17°F OD			47°F OD	17°F OD
YZT36B21S	TM8V100C16MP12C	24.5	XAHD48F	2	1425	34.6	23.6	—	12.50	34.8	21.8	8.55	6.85	3.66	2.40
YZT36B21S	TM8V100C16MP12C	21.0	XAHD60G	1	850	29.0	20.4	17.00	24.25	23.8	—	—	—	3.30	—
YZT36B21S	TM8V100C16MP12C	21.0	XAHD60G	2	1275	34.6	23.8	—	12.50	34.2	22.2	8.55	6.90	3.64	2.46
YZT36B21S	TM8V100C20MP12C	21.0	CF/CM/CU36C	1	800	28.0	20.8	17.00	25.10	28.6	—	—	—	4.72	—
YZT36B21S	TM8V100C20MP12C	21.0	CF/CM/CU36C	2	1150	35.0	27.6	—	13.00	35.0	21.8	9.50	8.45	4.20	2.68
YZT36B21S	TM8V100C20MP12C	21.0	CF/CM/CU42C	1	800	28.8	21.2	18.00	25.65	28.2	—	—	—	3.76	—
YZT36B21S	TM8V100C20MP12C	21.0	CF/CM/CU42C	2	1150	34.4	27.4	—	13.00	35.4	21.8	9.50	8.20	3.86	2.68
YZT36B21S	TM8V100C20MP12C	21.0	CF/CM/CU42D	1	800	28.8	21.2	18.00	25.70	28.2	—	—	—	3.76	—
YZT36B21S	TM8V100C20MP12C	21.0	CF/CM/CU42D	2	1150	34.4	27.4	—	13.00	35.4	21.8	9.50	8.20	3.88	2.68
YZT36B21S	TM8V100C20MP12C	21.0	CF/CM/CU48C	1	800	29.4	21.4	18.00	26.65	24.2	—	—	—	3.54	—
YZT36B21S	TM8V100C20MP12C	21.0	CF/CM/CU48C	2	1150	35.8	27.8	—	14.00	35.6	21.8	9.00	8.15	3.94	2.68
YZT36B21S	TM8V100C20MP12C	21.0	CF/CM/CU48D	1	800	29.4	21.4	18.00	26.70	24.2	—	—	—	3.56	—
YZT36B21S	TM8V100C20MP12C	21.0	CF/CM/CU48D	2	1150	35.8	27.8	—	14.00	35.6	21.8	9.50	8.15	3.94	2.68
YZT36B21S	TM8V100C20MP12C	21.0	CF/CM/CU60C	1	800	29.6	21.4	18.00	26.85	24.0	—	—	—	3.82	—
YZT36B21S	TM8V100C20MP12C	21.0	CF/CM/CU60C	2	1150	35.8	28.0	—	14.00	35.0	22.4	10.00	8.65	4.20	2.82
YZT36B21S	TM8V100C20MP12C	21.0	CF/CM/CU60D	1	800	29.6	21.6	18.00	26.90	24.0	—	—	—	3.82	—
YZT36B21S	TM8V100C20MP12C	21.0	CF/CM/CU60D	2	1150	35.8	28.2	—	14.00	35.0	22.4	10.00	8.65	4.22	2.82
YZT36B21S	TM8V100C20MP12C	21.0	XAF/XAUC60G	1	925	30.0	21.6	18.00	25.30	24.0	—	—	—	3.44	—
YZT36B21S	TM8V100C20MP12C	21.0	XAF/XAUC60G	2	1375	35.4	23.8	—	13.00	34.0	21.6	8.55	6.75	3.74	2.46
YZT36B21S	TM8V100C20MP12C	21.0	XAHC48F	1	925	29.2	20.8	17.50	24.65	24.4	—	—	—	3.46	—
YZT36B21S	TM8V100C20MP12C	21.0	XAHC48F	2	1375	34.6	23.6	—	13.00	34.4	21.6	8.55	6.80	3.70	2.42
YZT36B21S	TM8V100C20MP12C	21.0	XAHC60G	1	900	29.4	21.0	18.00	25.25	23.8	—	—	—	3.42	—
YZT36B21S	TM8V100C20MP12C	21.0	XAHC60G	2	1325	35.0	24.0	—	13.00	34.0	22.0	8.75	7.10	3.74	2.50
YZT36B21S	TM8V120C20MP12C	21.0	CF/CM/CU36C	1	800	28.0	20.8	17.00	25.10	28.6	—	—	—	4.72	—
YZT36B21S	TM8V120C20MP12C	21.0	CF/CM/CU36C	2	1150	35.0	27.6	—	13.00	35.0	21.8	9.50	8.45	4.20	2.68
YZT36B21S	TM8V120C20MP12C	21.0	CF/CM/CU42C	1	800	28.8	21.2	18.00	25.65	28.2	—	—	—	3.76	—
YZT36B21S	TM8V120C20MP12C	21.0	CF/CM/CU42C	2	1150	34.4	27.4	—	13.00	35.4	21.8	9.50	8.20	3.86	2.68
YZT36B21S	TM8V120C20MP12C	21.0	CF/CM/CU42D	1	800	28.8	21.2	18.00	25.70	28.2	—	—	—	3.76	—
YZT36B21S	TM8V120C20MP12C	21.0	CF/CM/CU42D	2	1150	34.4	27.4	—	13.00	35.4	21.8	9.50	8.20	3.88	2.68
YZT36B21S	TM8V120C20MP12C	21.0	CF/CM/CU48C	1	800	29.4	21.4	18.00	26.65	24.2	—	—	—	3.54	—
YZT36B21S	TM8V120C20MP12C	21.0	CF/CM/CU48C	2	1150	35.8	27.8	—	14.00	35.6	21.8	9.00	8.15	3.94	2.68
YZT36B21S	TM8V120C20MP12C	21.0	CF/CM/CU48D	1	800	29.4	21.4	18.00	26.70	24.2	—	—	—	3.56	—
YZT36B21S	TM8V120C20MP12C	21.0	CF/CM/CU48D	2	1150	35.8	27.8	—	14.00	35.6	21.8	9.50	8.15	3.94	2.68
YZT36B21S	TM8V120C20MP12C	21.0	CF/CM/CU60C	1	800	29.6	21.4	18.00	26.85	24.0	—	—	—	3.82	—
YZT36B21S	TM8V120C20MP12C	21.0	CF/CM/CU60C	2	1150	35.8	28.0	—	14.00	35.0	22.4	10.00	8.65	4.20	2.82
YZT36B21S	TM8V120C20MP12C	21.0	CF/CM/CU60D	1	800	29.6	21.6	18.00	26.90	24.0	—	—	—	3.82	—
YZT36B21S	TM8V120C20MP12C	21.0	CF/CM/CU60D	2	1150	35.8	28.2	—	14.00	35.0	22.4	10.00	8.65	4.22	2.82



**SYSTEM CAPACITY — With High Efficiency Motor Furnaces<sup>1</sup> (Continued)**

UNIT MODEL	FURNACE MODEL	WIDTH	COIL MODEL <sup>2</sup>	Stage	COOLING					HEATING					
					RATED CFM	NET MBH		SEER	EER	NET MBH		HSPF IV	HSPF V	COP	
						TOTAL	SENS.			47°F OD	17°F OD			47°F OD	17°F OD
YZT36B21S	TM8V120C20MP12C	21.0	XAF/XAUC60G	1	925	30.0	21.6	18.00	25.30	24.0	—	—	—	3.44	—
YZT36B21S	TM8V120C20MP12C	21.0	XAF/XAUC60G	2	1375	35.4	23.8	—	13.00	34.0	21.6	8.55	6.75	3.74	2.46
YZT36B21S	TM8V120C20MP12C	21.0	XAHC48F	1	925	29.2	20.8	17.50	24.65	24.4	—	—	—	3.46	—
YZT36B21S	TM8V120C20MP12C	21.0	XAHC48F	2	1375	34.6	23.6	—	13.00	34.4	21.6	8.55	6.80	3.70	2.42
YZT36B21S	TM8V120C20MP12C	21.0	XAHC60G	1	900	29.4	21.0	18.00	25.25	23.8	—	—	—	3.42	—
YZT36B21S	TM8V120C20MP12C	21.0	XAHC60G	2	1325	35.0	24.0	—	13.00	34.0	22.0	8.75	7.10	3.74	2.50
YZT36B21S	TM8X060A12MP11	14.5	CF/CM/CU36B	1	950	28.6	22.8	16.00	23.15	29.0	—	—	—	4.38	—
YZT36B21S	TM8X060A12MP11	14.5	CF/CM/CU36B	2	1125	34.8	27.0	—	13.00	35.6	21.8	9.00	8.30	3.68	2.68
YZT36B21S	TM8X060A12MP11	14.5	CF/CM36A	1	925	28.4	22.4	16.00	22.80	29.2	—	—	—	4.38	—
YZT36B21S	TM8X060A12MP11	14.5	CF/CM36A	2	1075	34.6	26.2	—	13.00	35.6	21.8	9.00	8.30	3.66	2.68
YZT36B21S	TM8X060A12MP11	14.5	CF42B	1	950	30.0	23.4	17.00	23.65	29.2	—	—	—	3.26	—
YZT36B21S	TM8X060A12MP11	14.5	CF42B	2	1125	34.4	27.0	—	13.00	36.0	21.8	8.75	8.00	3.30	2.68
YZT36B21S	TM8X080B12MP11	17.5		2	1200	35.6	28.4	—	13.00	36.0	22.4	9.60	8.50	3.82	2.82
YZT36B21S	TM8X080B12MP11	17.5	CF/CM/CU36B	1	1000	28.8	23.6	16.00	23.25	29.0	—	—	—	4.40	—
YZT36B21S	TM8X080B12MP11	17.5	CF/CM/CU36B	2	1175	34.2	27.4	—	13.00	35.6	21.8	9.00	8.30	3.68	2.68
YZT36B21S	TM8X080B12MP11	17.5	CF/CM/CU36C	1	1025	28.8	23.8	16.00	23.55	28.8	—	—	—	4.68	—
YZT36B21S	TM8X080B12MP11	17.5	CF/CM/CU36C	2	1200	35.2	28.0	—	13.00	35.6	21.8	9.00	8.35	3.86	2.68
YZT36B21S	TM8X080B12MP11	17.5	CF/CM/CU42C	1	1025	29.4	24.0	17.00	24.00	28.6	—	—	—	3.84	—
YZT36B21S	TM8X080B12MP11	17.5	CF/CM/CU42C	2	1200	34.2	27.8	—	13.00	36.0	21.8	9.00	8.15	3.56	2.68
YZT36B21S	TM8X080B12MP11	17.5	CF/CM/CU48C	1	1025	30.0	24.4	17.00	24.75	24.6	—	—	—	3.64	—
YZT36B21S	TM8X080B12MP11	17.5	CF/CM/CU48C	2	1200	36.0	28.4	—	13.00	36.0	21.8	9.00	8.10	3.74	2.68
YZT36B21S	TM8X080B12MP11	17.5	CF/CM/CU60C	1	1025	30.8	24.6	18.00	25.25	24.6	—	—	—	3.68	—
YZT36B21S	TM8X080B12MP11	17.5	CF42B	1	1000	29.8	23.8	17.00	23.85	28.2	—	—	—	4.10	—
YZT36B21S	TM8X080B12MP11	17.5	CF42B	2	1150	34.0	27.0	—	13.00	35.8	21.8	9.00	8.25	3.74	2.68
YZT36B21S	TM8X080C16MP11	21.0	CF/CM/CU36C	1	1000	28.0	23.2	17.00	23.70	28.6	—	—	—	5.06	—
YZT36B21S	TM8X080C16MP11	21.0	CF/CM/CU36C	2	1150	35.0	27.4	—	13.00	35.0	21.8	9.50	8.45	4.16	2.68
YZT36B21S	TM8X080C16MP11	21.0	CF/CM/CU42C	1	1000	30.0	24.0	17.00	25.05	28.0	—	—	—	4.18	—
YZT36B21S	TM8X080C16MP11	21.0	CF/CM/CU42C	2	1150	34.4	27.4	—	13.00	35.4	21.8	9.50	8.30	3.84	2.68
YZT36B21S	TM8X080C16MP11	21.0	CF/CM/CU42D	1	1000	30.2	24.2	17.00	25.15	28.8	—	—	—	3.54	—
YZT36B21S	TM8X080C16MP11	21.0	CF/CM/CU42D	2	1175	35.0	27.8	—	13.00	35.8	21.8	9.00	8.10	3.38	2.68
YZT36B21S	TM8X080C16MP11	21.0	CF/CM/CU48C	1	1000	30.0	24.2	18.00	25.65	24.4	—	—	—	3.84	—
YZT36B21S	TM8X080C16MP11	21.0	CF/CM/CU48C	2	1150	35.8	28.0	—	14.00	35.6	21.8	9.60	8.20	3.90	2.68
YZT36B21S	TM8X080C16MP11	21.0	CF/CM/CU48D	1	1000	30.0	24.2	18.00	25.70	24.4	—	—	—	3.84	—
YZT36B21S	TM8X080C16MP11	21.0	CF/CM/CU48D	2	1150	35.8	28.0	—	14.00	35.6	21.8	9.60	8.20	3.90	2.68
YZT36B21S	TM8X080C16MP11	21.0	CF/CM/CU60C	1	1000	30.4	24.2	18.00	25.95	24.2	—	—	—	4.02	—
YZT36B21S	TM8X080C16MP11	21.0	CF/CM/CU60C	2	1150	35.8	28.0	—	14.00	35.2	22.4	10.00	8.70	4.16	2.82
YZT36B21S	TM8X080C16MP11	21.0	CF/CM/CU60D	1	1000	31.4	24.6	19.00	26.80	24.6	—	—	—	3.34	—

**SYSTEM CAPACITY — With High Efficiency Motor Furnaces<sup>1</sup> (Continued)**

UNIT MODEL	FURNACE MODEL	WIDTH	COIL MODEL <sup>2</sup>	Stage	COOLING					HEATING					
					RATED CFM	NET MBH		SEER	EER	NET MBH		HSPF IV	HSPF V	COP	
						TOTAL	SENS.			47°F OD	17°F OD			47°F OD	17°F OD
YZT36B21S	TM8X080C16MP11	21.0	CF/CM/CU60D	2	1175	36.0	28.2	—	14.00	36.0	22.4	9.60	8.40	3.64	2.82
YZT36B21S	TM8X100C16MP11	21.0	CF/CM/CU36C	1	1000	28.0	23.2	17.00	23.70	28.6	—	—	—	5.06	—
YZT36B21S	TM8X100C16MP11	21.0	CF/CM/CU36C	2	1150	35.0	27.4	—	13.00	35.0	21.8	9.50	8.45	4.16	2.68
YZT36B21S	TM8X100C16MP11	21.0	CF/CM/CU42C	1	1000	30.0	24.0	17.00	25.05	28.0	—	—	—	4.18	—
YZT36B21S	TM8X100C16MP11	21.0	CF/CM/CU42C	2	1150	34.4	27.4	—	13.00	35.4	21.8	9.50	8.30	3.84	2.68
YZT36B21S	TM8X100C16MP11	21.0	CF/CM/CU42D	1	1000	30.2	24.2	17.00	25.15	28.8	—	—	—	3.54	—
YZT36B21S	TM8X100C16MP11	21.0	CF/CM/CU42D	2	1175	35.0	27.8	—	13.00	35.8	21.8	9.00	8.10	3.38	2.68
YZT36B21S	TM8X100C16MP11	21.0	CF/CM/CU48C	1	1000	30.0	24.2	18.00	25.65	24.4	—	—	—	3.84	—
YZT36B21S	TM8X100C16MP11	21.0	CF/CM/CU48C	2	1150	35.8	28.0	—	14.00	35.6	21.8	9.60	8.20	3.90	2.68
YZT36B21S	TM8X100C16MP11	21.0	CF/CM/CU48D	1	1000	30.0	24.2	18.00	25.70	24.4	—	—	—	3.84	—
YZT36B21S	TM8X100C16MP11	21.0	CF/CM/CU48D	2	1150	35.8	28.0	—	14.00	35.6	21.8	9.60	8.20	3.90	2.68
YZT36B21S	TM8X100C16MP11	21.0	CF/CM/CU60C	1	1000	30.4	24.2	18.00	25.95	24.2	—	—	—	4.02	—
YZT36B21S	TM8X100C16MP11	21.0	CF/CM/CU60C	2	1150	35.8	28.0	—	14.00	35.2	22.4	10.00	8.70	4.16	2.82
YZT36B21S	TM8X100C16MP11	21.0	CF/CM/CU60D	1	1000	31.4	24.6	19.00	26.80	24.6	—	—	—	3.34	—
YZT36B21S	TM8X100C16MP11	21.0	CF/CM/CU60D	2	1175	36.0	28.2	—	14.00	36.0	22.4	9.60	8.40	3.64	2.82
YZT36B21S	TM8X100C20MP11	21.0	CF/CM/CU36C	1	1025	29.0	24.0	17.00	24.60	28.8	—	—	—	4.50	—
YZT36B21S	TM8X100C20MP11	21.0	CF/CM/CU36C	2	1225	34.8	28.4	—	13.00	35.4	21.8	9.50	8.35	3.80	2.68
YZT36B21S	TM8X100C20MP11	21.0	CF/CM/CU42C	1	1025	29.8	24.2	18.00	25.35	28.0	—	—	—	4.24	—
YZT36B21S	TM8X100C20MP11	21.0	CF/CM/CU42C	2	1225	34.6	28.2	—	13.00	35.4	21.8	9.60	8.30	3.94	2.68
YZT36B21S	TM8X100C20MP11	21.0	CF/CM/CU42D	1	1050	29.8	24.6	18.00	25.50	27.8	—	—	—	4.36	—
YZT36B21S	TM8X100C20MP11	21.0	CF/CM/CU42D	2	1250	34.6	28.6	—	13.00	35.0	21.8	9.60	8.35	3.98	2.68
YZT36B21S	TM8X100C20MP11	21.0	CF/CM/CU48C	1	1050	30.4	25.0	18.00	26.05	24.4	—	—	—	3.80	—
YZT36B21S	TM8X100C20MP11	21.0	CF/CM/CU48C	2	1225	36.0	28.8	—	14.00	35.8	21.8	9.50	8.20	3.88	2.68
YZT36B21S	TM8X100C20MP11	21.0	CF/CM/CU48D	1	1050	30.4	25.0	18.00	26.10	24.4	—	—	—	3.82	—
YZT36B21S	TM8X100C20MP11	21.0	CF/CM/CU48D	2	1250	36.0	29.0	—	14.00	35.6	21.8	9.50	8.20	3.94	2.68
YZT36B21S	TM8X100C20MP11	21.0	CF/CM/CU60C	1	1025	30.6	24.6	18.00	26.30	24.2	—	—	—	4.10	—
YZT36B21S	TM8X100C20MP11	21.0	CF/CM/CU60C	2	1225	36.0	29.0	—	14.00	35.0	22.4	10.00	8.70	4.20	2.82
YZT36B21S	TM8X100C20MP11	21.0	CF/CM/CU60D	1	1050	30.6	24.8	18.00	26.40	24.0	—	—	—	4.16	—
YZT36B21S	TM8X100C20MP11	21.0	CF/CM/CU60D	2	1250	36.0	29.2	—	14.00	34.8	22.4	10.00	8.75	4.34	2.82
YZT36B21S	TM8X120C20MP11	21.0	CF/CM/CU36C	1	1025	29.0	24.0	17.00	24.60	28.8	—	—	—	4.50	—
YZT36B21S	TM8X120C20MP11	21.0	CF/CM/CU36C	2	1225	34.8	28.4	—	13.00	35.4	21.8	9.50	8.35	3.80	2.68
YZT36B21S	TM8X120C20MP11	21.0	CF/CM/CU42C	1	1025	29.8	24.2	18.00	25.35	28.0	—	—	—	4.24	—
YZT36B21S	TM8X120C20MP11	21.0	CF/CM/CU42C	2	1225	34.6	28.2	—	13.00	35.4	21.8	9.60	8.30	3.94	2.68
YZT36B21S	TM8X120C20MP11	21.0	CF/CM/CU42D	1	1050	29.8	24.6	18.00	25.50	27.8	—	—	—	4.36	—
YZT36B21S	TM8X120C20MP11	21.0	CF/CM/CU42D	2	1250	34.6	28.6	—	13.00	35.0	21.8	9.60	8.35	3.98	2.68
YZT36B21S	TM8X120C20MP11	21.0	CF/CM/CU48C	1	1050	30.4	25.0	18.00	26.05	24.4	—	—	—	3.80	—
YZT36B21S	TM8X120C20MP11	21.0	CF/CM/CU48C	2	1225	36.0	28.8	—	14.00	35.8	21.8	9.50	8.20	3.88	2.68

**SYSTEM CAPACITY — With High Efficiency Motor Furnaces<sup>1</sup> (Continued)**

UNIT MODEL	FURNACE MODEL	WIDTH	COIL MODEL <sup>2</sup>	Stage	COOLING					HEATING					
					RATED CFM	NET MBH		SEER	EER	NET MBH		HSPF IV	HSPF V	COP	
						TOTAL	SENS.			47°F OD	17°F OD			47°F OD	17°F OD
YZT36B21S	TM8X120C20MP11	21.0	CF/CM/CU48D	1	1050	30.4	25.0	18.00	26.10	24.4	—	—	—	3.82	—
YZT36B21S	TM8X120C20MP11	21.0	CF/CM/CU48D	2	1250	36.0	29.0	—	14.00	35.6	21.8	9.50	8.20	3.94	2.68
YZT36B21S	TM8X120C20MP11	21.0	CF/CM/CU60C	1	1025	30.6	24.6	18.00	26.30	24.2	—	—	—	4.10	—
YZT36B21S	TM8X120C20MP11	21.0	CF/CM/CU60C	2	1225	36.0	29.0	—	14.00	35.0	22.4	10.00	8.70	4.20	2.82
YZT36B21S	TM8X120C20MP11	21.0	CF/CM/CU60D	1	1050	30.6	24.8	18.00	26.40	24.0	—	—	—	4.16	—
YZT36B21S	TM8X120C20MP11	21.0	CF/CM/CU60D	2	1250	36.0	29.2	—	14.00	34.8	22.4	10.00	8.75	4.34	2.82
YZT36B21S	TM8Y060A12MP11	14.5	CF/CM/CU36B	1	950	28.6	22.8	16.00	23.15	29.0	—	—	—	4.38	—
YZT36B21S	TM8Y060A12MP11	14.5	CF/CM/CU36B	2	1125	34.8	27.0	—	13.00	35.6	21.8	9.00	8.30	3.68	2.68
YZT36B21S	TM8Y060A12MP11	14.5	CF/CM36A	1	925	28.4	22.4	16.00	22.80	29.2	—	—	—	4.38	—
YZT36B21S	TM8Y060A12MP11	14.5	CF/CM36A	2	1075	34.6	26.2	—	13.00	35.6	21.8	9.00	8.30	3.66	2.68
YZT36B21S	TM8Y060A12MP11	14.5	CF42B	1	950	30.0	23.4	17.00	23.65	29.2	—	—	—	3.26	—
YZT36B21S	TM8Y060A12MP11	14.5	CF42B	2	1125	34.4	27.0	—	13.00	36.0	21.8	8.75	8.00	3.30	2.68
YZT36B21S	TM8Y060A12MP11	17.5	XAF/XAUB36D	1	950	29.2	21.2	16.50	22.90	24.6	—	—	—	3.28	—
YZT36B21S	TM8Y060A12MP11	17.5	XAF/XAUB36D	2	1100	33.4	22.8	—	12.50	34.2	22.4	8.20	6.55	3.38	2.30
YZT36B21S	TM8Y080B12MP11	17.5		2	1150	34.0	27.0	—	13.00	35.8	21.8	9.00	8.25	3.74	2.68
YZT36B21S	TM8Y080B12MP11	17.5	CF/CM/CU36B	1	1000	28.8	23.6	16.00	23.25	29.0	—	—	—	4.40	—
YZT36B21S	TM8Y080B12MP11	17.5	CF/CM/CU36B	2	1175	34.2	27.4	—	13.00	35.6	21.8	9.00	8.30	3.68	2.68
YZT36B21S	TM8Y080B12MP11	17.5	CF/CM/CU36C	1	1025	28.8	23.8	16.00	23.55	28.8	—	—	—	4.68	—
YZT36B21S	TM8Y080B12MP11	17.5	CF/CM/CU36C	2	1200	35.2	28.0	—	13.00	35.6	21.8	9.00	8.35	3.86	2.68
YZT36B21S	TM8Y080B12MP11	17.5	CF/CM/CU42C	1	1025	29.4	24.0	17.00	24.00	28.6	—	—	—	3.84	—
YZT36B21S	TM8Y080B12MP11	17.5	CF/CM/CU42C	2	1200	34.2	27.8	—	13.00	36.0	21.8	9.00	8.15	3.56	2.68
YZT36B21S	TM8Y080B12MP11	17.5	CF/CM/CU48C	1	1025	30.0	24.4	17.00	24.75	24.6	—	—	—	3.64	—
YZT36B21S	TM8Y080B12MP11	17.5	CF/CM/CU48C	2	1200	36.0	28.4	—	13.00	36.0	21.8	9.00	8.10	3.74	2.68
YZT36B21S	TM8Y080B12MP11	17.5	CF/CM/CU60C	1	1025	30.8	24.6	18.00	25.25	24.6	—	—	—	3.68	—
YZT36B21S	TM8Y080B12MP11	17.5	CF/CM/CU60C	2	1200	35.6	28.4	—	13.00	36.0	22.4	9.60	8.50	3.82	2.82
YZT36B21S	TM8Y080B12MP11	17.5	CF42B	1	1000	29.8	23.8	17.00	23.85	28.2	—	—	—	4.10	—
YZT36B21S	TM8Y080B12MP11	17.5	XAF/XAUB36D	1	850	28.6	20.2	16.50	23.60	24.2	—	—	—	3.20	—
YZT36B21S	TM8Y080B12MP11	17.5	XAF/XAUB36D	2	1150	33.6	23.0	—	12.50	34.2	22.4	8.20	6.55	3.42	2.32
YZT36B21S	TM8Y080B12MP11	21.0	XAF/XAUC48F	1	875	28.4	19.8	17.00	23.55	24.0	—	—	—	3.28	—
YZT36B21S	TM8Y080B12MP11	21.0	XAF/XAUC48F	2	1175	33.8	22.6	—	12.50	34.6	22.4	8.55	6.90	3.58	2.38
YZT36B21S	TM8Y080B12MP11	21.0	XAF/XAUC60G	1	825	29.2	20.4	17.50	24.50	23.8	—	—	—	3.24	—
YZT36B21S	TM8Y080B12MP11	21.0	XAF/XAUC60G	2	1200	34.6	23.4	—	13.00	34.2	21.6	8.20	6.65	3.56	2.36
YZT36B21S	TM8Y080B12MP11	21.0	XAFC36D	1	800	28.2	19.5	17.00	23.75	24.0	—	—	—	3.14	—
YZT36B21S	TM8Y080B12MP11	21.0	XAFC36D	2	1175	33.8	23.2	—	12.50	34.2	22.4	8.20	6.60	3.44	2.32
YZT36B21S	TM8Y080B12MP11	21.0	XAHC48F	1	750	28.0	18.9	17.00	24.05	24.0	—	—	—	3.16	—
YZT36B21S	TM8Y080B12MP11	21.0	XAHC48F	2	1200	33.8	23.2	—	12.50	34.6	21.8	8.20	6.45	3.54	2.34
YZT36B21S	TM8Y080B12MP11	21.0	XAHC60G	1	850	29.0	20.4	17.50	24.55	23.8	—	—	—	3.30	—

**SYSTEM CAPACITY — With High Efficiency Motor Furnaces<sup>1</sup> (Continued)**

UNIT MODEL	FURNACE MODEL	WIDTH	COIL MODEL <sup>2</sup>	Stage	COOLING					HEATING					
					RATED CFM	NET MBH		SEER	EER	NET MBH		HSPF IV	HSPF V	COP	
						TOTAL	SENS.			47°F OD	17°F OD			47°F OD	17°F OD
YZT36B21S	TM8Y080B12MP11	21.0	XAHC60G	2	1225	34.4	23.6	—	12.50	34.2	22.2	8.55	6.80	3.56	2.44
YZT36B21S	TM8Y080C16MP11	21.0	CF/CM/CU36C	1	1000	28.0	23.2	17.00	23.70	28.6	—	—	—	5.06	—
YZT36B21S	TM8Y080C16MP11	21.0	CF/CM/CU36C	2	1150	35.0	27.4	—	13.00	35.0	21.8	9.50	8.45	4.16	2.68
YZT36B21S	TM8Y080C16MP11	21.0	CF/CM/CU42C	1	1000	30.0	24.0	17.00	25.05	28.0	—	—	—	4.18	—
YZT36B21S	TM8Y080C16MP11	21.0	CF/CM/CU42C	2	1150	34.4	27.4	—	13.00	35.4	21.8	9.50	8.30	3.84	2.68
YZT36B21S	TM8Y080C16MP11	21.0	CF/CM/CU42D	1	1000	30.2	24.2	17.00	25.15	28.8	—	—	—	3.54	—
YZT36B21S	TM8Y080C16MP11	21.0	CF/CM/CU42D	2	1175	35.0	27.8	—	13.00	35.8	21.8	9.00	8.10	3.38	2.68
YZT36B21S	TM8Y080C16MP11	21.0	CF/CM/CU48C	1	1000	30.0	24.2	18.00	25.65	24.4	—	—	—	3.84	—
YZT36B21S	TM8Y080C16MP11	21.0	CF/CM/CU48C	2	1150	35.8	28.0	—	14.00	35.6	21.8	9.60	8.20	3.90	2.68
YZT36B21S	TM8Y080C16MP11	21.0	CF/CM/CU48D	1	1000	30.0	24.2	18.00	25.70	24.4	—	—	—	3.84	—
YZT36B21S	TM8Y080C16MP11	21.0	CF/CM/CU48D	2	1150	35.8	28.0	—	14.00	35.6	21.8	9.60	8.20	3.90	2.68
YZT36B21S	TM8Y080C16MP11	21.0	CF/CM/CU60C	1	1000	30.4	24.2	18.00	25.95	24.2	—	—	—	4.02	—
YZT36B21S	TM8Y080C16MP11	21.0	CF/CM/CU60C	2	1150	35.8	28.0	—	14.00	35.2	22.4	10.00	8.70	4.16	2.82
YZT36B21S	TM8Y080C16MP11	21.0	CF/CM/CU60D	1	1000	31.4	24.6	19.00	26.80	24.6	—	—	—	3.34	—
YZT36B21S	TM8Y080C16MP11	21.0	CF/CM/CU60D	2	1175	36.0	28.2	—	14.00	36.0	22.4	9.60	8.40	3.64	2.82
YZT36B21S	TM8Y080C16MP11	21.0	XAF/XAUC48F	1	1000	29.2	21.2	17.00	23.85	24.4	—	—	—	3.48	—
YZT36B21S	TM8Y080C16MP11	21.0	XAF/XAUC48F	2	1150	34.0	22.8	—	13.00	34.2	22.2	8.55	6.80	3.66	2.42
YZT36B21S	TM8Y080C16MP11	21.0	XAF/XAUC60G	1	800	29.0	20.0	17.50	25.05	23.6	—	—	—	3.24	—
YZT36B21S	TM8Y080C16MP11	21.0	XAF/XAUC60G	2	1375	35.4	23.8	—	13.00	34.2	21.8	8.55	6.80	3.68	2.42
YZT36B21S	TM8Y080C16MP11	24.5	XAF/XAUD60G	1	1000	30.4	22.4	17.50	24.70	24.2	—	—	—	3.50	—
YZT36B21S	TM8Y080C16MP11	24.5	XAF/XAUD60G	2	1175	34.8	23.6	—	13.50	33.8	21.2	8.55	6.85	3.64	2.42
YZT36B21S	TM8Y080C16MP11	21.0	XAFC36D	1	1000	29.8	22.0	17.00	24.40	24.4	—	—	—	3.44	—
YZT36B21S	TM8Y080C16MP11	21.0	XAFC36D	2	1325	34.4	23.4	—	12.50	34.2	22.4	8.55	6.85	3.54	2.38
YZT36B21S	TM8Y080C16MP11	24.5	XAFD48F	1	1000	29.2	21.2	17.00	23.90	24.4	—	—	—	3.48	—
YZT36B21S	TM8Y080C16MP11	24.5	XAFD48F	2	1150	34.0	22.8	—	13.50	34.2	22.2	8.55	6.80	3.66	2.42
YZT36B21S	TM8Y080C16MP11	21.0	XAHC36D	1	950	29.2	21.0	16.50	23.20	24.2	—	—	—	3.30	—
YZT36B21S	TM8Y080C16MP11	21.0	XAHC36D	2	1300	34.6	23.4	—	12.50	34.4	22.0	8.20	6.50	3.46	2.24
YZT36B21S	TM8Y080C16MP11	21.0	XAHC48F	1	825	28.6	19.8	17.50	24.65	24.2	—	—	—	3.30	—
YZT36B21S	TM8Y080C16MP11	21.0	XAHC48F	2	1375	34.6	23.6	—	12.50	34.6	21.8	8.55	6.75	3.66	2.40
YZT36B21S	TM8Y080C16MP11	21.0	XAHC60G	1	825	29.0	20.4	18.00	25.05	23.8	—	—	—	3.30	—
YZT36B21S	TM8Y080C16MP11	21.0	XAHC60G	2	1200	34.6	23.8	—	13.00	33.8	21.8	8.55	6.90	3.64	2.48
YZT36B21S	TM8Y080C16MP11	24.5	XAHD48F	1	1000	29.4	21.4	17.50	23.95	24.8	—	—	—	3.54	—
YZT36B21S	TM8Y080C16MP11	24.5	XAHD48F	2	1150	33.8	23.2	—	13.00	34.2	21.6	8.55	6.70	3.58	2.38
YZT36B21S	TM8Y080C16MP11	21.0	XAHD60G	1	775	28.6	19.7	17.50	24.45	23.6	—	—	—	3.20	—
YZT36B21S	TM8Y080C16MP11	21.0	XAHD60G	2	1150	34.2	23.6	—	13.00	33.8	21.8	8.55	6.90	3.58	2.44
YZT36B21S	TM8Y100C16MP11	21.0	CF/CM/CU36C	1	1000	28.0	23.2	17.00	23.70	28.6	—	—	—	5.06	—
YZT36B21S	TM8Y100C16MP11	21.0	CF/CM/CU36C	2	1150	35.0	27.4	—	13.00	35.0	21.8	9.50	8.45	4.16	2.68

**SYSTEM CAPACITY — With High Efficiency Motor Furnaces<sup>1</sup> (Continued)**

UNIT MODEL	FURNACE MODEL	WIDTH	COIL MODEL <sup>2</sup>	Stage	COOLING					HEATING					
					RATED CFM	NET MBH		SEER	EER	NET MBH		HSPF IV	HSPF V	COP	
						TOTAL	SENS.			47°F OD	17°F OD			47°F OD	17°F OD
YZT36B21S	TM8Y100C16MP11	21.0	CF/CM/CU42C	1	1000	30.0	24.0	17.00	25.05	28.0	—	—	—	4.18	—
YZT36B21S	TM8Y100C16MP11	21.0	CF/CM/CU42C	2	1150	34.4	27.4	—	13.00	35.4	21.8	9.50	8.30	3.84	2.68
YZT36B21S	TM8Y100C16MP11	21.0	CF/CM/CU42D	1	1000	30.2	24.2	17.00	25.15	28.8	—	—	—	3.54	—
YZT36B21S	TM8Y100C16MP11	21.0	CF/CM/CU42D	2	1175	35.0	27.8	—	13.00	35.8	21.8	9.00	8.10	3.38	2.68
YZT36B21S	TM8Y100C16MP11	21.0	CF/CM/CU48C	1	1000	30.0	24.2	18.00	25.65	24.4	—	—	—	3.84	—
YZT36B21S	TM8Y100C16MP11	21.0	CF/CM/CU48C	2	1150	35.8	28.0	—	14.00	35.6	21.8	9.60	8.20	3.90	2.68
YZT36B21S	TM8Y100C16MP11	21.0	CF/CM/CU48D	1	1000	30.0	24.2	18.00	25.70	24.4	—	—	—	3.84	—
YZT36B21S	TM8Y100C16MP11	21.0	CF/CM/CU48D	2	1150	35.8	28.0	—	14.00	35.6	21.8	9.60	8.20	3.90	2.68
YZT36B21S	TM8Y100C16MP11	21.0	CF/CM/CU60C	1	1000	30.4	24.2	18.00	25.95	24.2	—	—	—	4.02	—
YZT36B21S	TM8Y100C16MP11	21.0	CF/CM/CU60C	2	1150	35.8	28.0	—	14.00	35.2	22.4	10.00	8.70	4.16	2.82
YZT36B21S	TM8Y100C16MP11	21.0	CF/CM/CU60D	1	1000	31.4	24.6	19.00	26.80	24.6	—	—	—	3.34	—
YZT36B21S	TM8Y100C16MP11	21.0	CF/CM/CU60D	2	1175	36.0	28.2	—	14.00	36.0	22.4	9.60	8.40	3.64	2.82
YZT36B21S	TM8Y100C16MP11	21.0	XAF/XAUC48F	1	1000	29.2	21.2	17.00	23.85	24.4	—	—	—	3.48	—
YZT36B21S	TM8Y100C16MP11	21.0	XAF/XAUC48F	2	1150	34.0	22.8	—	13.00	34.2	22.2	8.55	6.80	3.66	2.42
YZT36B21S	TM8Y100C16MP11	21.0	XAF/XAUC60G	1	800	29.0	20.0	17.50	25.05	23.6	—	—	—	3.24	—
YZT36B21S	TM8Y100C16MP11	21.0	XAF/XAUC60G	2	1375	35.4	23.8	—	13.00	34.2	21.8	8.55	6.80	3.68	2.42
YZT36B21S	TM8Y100C16MP11	24.5	XAF/XAUD60G	1	1000	30.4	22.4	17.50	24.70	24.2	—	—	—	3.50	—
YZT36B21S	TM8Y100C16MP11	24.5	XAF/XAUD60G	2	1175	34.8	23.6	—	13.50	33.8	21.2	8.55	6.85	3.64	2.42
YZT36B21S	TM8Y100C16MP11	21.0	XAFC36D	1	1000	29.8	22.0	17.00	24.40	24.4	—	—	—	3.44	—
YZT36B21S	TM8Y100C16MP11	21.0	XAFC36D	2	1325	34.4	23.4	—	12.50	34.2	22.4	8.55	6.85	3.54	2.38
YZT36B21S	TM8Y100C16MP11	24.5	XAFD48F	1	1000	29.2	21.2	17.00	23.90	24.4	—	—	—	3.48	—
YZT36B21S	TM8Y100C16MP11	24.5	XAFD48F	2	1150	34.0	22.8	—	13.50	34.2	22.2	8.55	6.80	3.66	2.42
YZT36B21S	TM8Y100C16MP11	21.0	XAHC48F	1	825	28.6	19.8	17.50	24.65	24.2	—	—	—	3.30	—
YZT36B21S	TM8Y100C16MP11	21.0	XAHC48F	2	1375	34.6	23.6	—	12.50	34.6	21.8	8.55	6.75	3.66	2.40
YZT36B21S	TM8Y100C16MP11	21.0	XAHC60G	1	825	29.0	20.4	18.00	25.05	23.8	—	—	—	3.30	—
YZT36B21S	TM8Y100C16MP11	21.0	XAHC60G	2	1200	34.6	23.8	—	13.00	33.8	21.8	8.55	6.90	3.64	2.48
YZT36B21S	TM8Y100C16MP11	24.5	XAHD48F	1	1000	29.4	21.4	17.50	23.95	24.8	—	—	—	3.54	—
YZT36B21S	TM8Y100C16MP11	24.5	XAHD48F	2	1150	33.8	23.2	—	13.00	34.2	21.6	8.55	6.70	3.58	2.38
YZT36B21S	TM8Y100C16MP11	21.0	XAHD60G	1	775	28.6	19.7	17.50	24.45	23.6	—	—	—	3.20	—
YZT36B21S	TM8Y100C16MP11	21.0	XAHD60G	2	1150	34.2	23.6	—	13.00	33.8	21.8	8.55	6.90	3.58	2.44
YZT36B21S	TM8Y100C20MP11	21.0	CF/CM/CU36C	1	1025	29.0	24.0	17.00	24.60	28.8	—	—	—	4.50	—
YZT36B21S	TM8Y100C20MP11	21.0	CF/CM/CU36C	2	1225	34.8	28.4	—	13.00	35.4	21.8	9.50	8.35	3.80	2.68
YZT36B21S	TM8Y100C20MP11	21.0	CF/CM/CU42C	1	1025	29.8	24.2	18.00	25.35	28.0	—	—	—	4.24	—
YZT36B21S	TM8Y100C20MP11	21.0	CF/CM/CU42C	2	1225	34.6	28.2	—	13.00	35.4	21.8	9.60	8.30	3.94	2.68
YZT36B21S	TM8Y100C20MP11	21.0	CF/CM/CU42D	1	1050	29.8	24.6	18.00	25.50	27.8	—	—	—	4.36	—
YZT36B21S	TM8Y100C20MP11	21.0	CF/CM/CU42D	2	1250	34.6	28.6	—	13.00	35.0	21.8	9.60	8.35	3.98	2.68
YZT36B21S	TM8Y100C20MP11	21.0	CF/CM/CU48C	1	1050	30.4	25.0	18.00	26.05	24.4	—	—	—	3.80	—

SYSTEM CAPACITY — With High Efficiency Motor Furnaces<sup>1</sup> (Continued)

UNIT MODEL	FURNACE MODEL	WIDTH	COIL MODEL <sup>2</sup>	Stage	COOLING					HEATING					
					RATED CFM	NET MBH		SEER	EER	NET MBH		HSPF IV	HSPF V	COP	
						TOTAL	SENS.			47°F OD	17°F OD			47°F OD	17°F OD
YZT36B21S	TM8Y100C20MP11	21.0	CF/CM/CU48C	2	1225	36.0	28.8	—	14.00	35.8	21.8	9.50	8.20	3.88	2.68
YZT36B21S	TM8Y100C20MP11	21.0	CF/CM/CU48D	1	1050	30.4	25.0	18.00	26.10	24.4	—	—	—	3.82	—
YZT36B21S	TM8Y100C20MP11	21.0	CF/CM/CU48D	2	1250	36.0	29.0	—	14.00	35.6	21.8	9.50	8.20	3.94	2.68
YZT36B21S	TM8Y100C20MP11	21.0	CF/CM/CU60C	1	1025	30.6	24.6	18.00	26.30	24.2	—	—	—	4.10	—
YZT36B21S	TM8Y100C20MP11	21.0	CF/CM/CU60C	2	1225	36.0	29.0	—	14.00	35.0	22.4	10.00	8.70	4.20	2.82
YZT36B21S	TM8Y100C20MP11	21.0	CF/CM/CU60D	1	1050	30.6	24.8	18.00	26.40	24.0	—	—	—	4.16	—
YZT36B21S	TM8Y100C20MP11	21.0	CF/CM/CU60D	2	1250	36.0	29.2	—	14.00	34.8	22.4	10.00	8.75	4.34	2.82
YZT36B21S	TM8Y100C20MP11	21.0	XAF/XAUC48F	1	1000	29.2	21.2	17.00	24.00	24.4	—	—	—	3.48	—
YZT36B21S	TM8Y100C20MP11	21.0	XAF/XAUC48F	2	1200	34.2	23.0	—	13.50	34.2	22.2	8.55	6.70	3.70	2.44
YZT36B21S	TM8Y100C20MP11	21.0	XAFC36D	1	1000	29.8	22.0	17.50	24.50	24.4	—	—	—	3.44	—
YZT36B21S	TM8Y100C20MP11	21.0	XAFC36D	2	1325	34.4	23.4	—	13.00	34.2	22.4	8.55	6.75	3.58	2.38
YZT36B21S	TM8Y100C20MP11	24.5	XAHD48F	1	1000	29.4	21.4	17.50	24.05	24.8	—	—	—	3.54	—
YZT36B21S	TM8Y100C20MP11	24.5	XAHD48F	2	1200	34.0	23.4	—	13.00	34.2	21.6	8.55	6.85	3.62	2.40
YZT36B21S	TM8Y100C20MP11	21.0	XAHD60G	1	1000	30.0	22.2	17.50	24.50	24.2	—	—	—	3.52	—
YZT36B21S	TM8Y100C20MP11	21.0	XAHD60G	2	1200	34.6	23.8	—	13.00	33.8	21.8	8.55	6.75	3.62	2.46
YZT36B21S	TM8Y120C20MP11	21.0	CF/CM/CU36C	1	1025	29.0	24.0	17.00	24.60	28.8	—	—	—	4.50	—
YZT36B21S	TM8Y120C20MP11	21.0	CF/CM/CU36C	2	1225	34.8	28.4	—	13.00	35.4	21.8	9.50	8.35	3.80	2.68
YZT36B21S	TM8Y120C20MP11	21.0	CF/CM/CU42C	1	1025	29.8	24.2	18.00	25.35	28.0	—	—	—	4.24	—
YZT36B21S	TM8Y120C20MP11	21.0	CF/CM/CU42C	2	1225	34.6	28.2	—	13.00	35.4	21.8	9.60	8.30	3.94	2.68
YZT36B21S	TM8Y120C20MP11	21.0	CF/CM/CU42D	1	1050	29.8	24.6	18.00	25.50	27.8	—	—	—	4.36	—
YZT36B21S	TM8Y120C20MP11	21.0	CF/CM/CU42D	2	1250	34.6	28.6	—	13.00	35.0	21.8	9.60	8.35	3.98	2.68
YZT36B21S	TM8Y120C20MP11	21.0	CF/CM/CU48C	1	1050	30.4	25.0	18.00	26.05	24.4	—	—	—	3.80	—
YZT36B21S	TM8Y120C20MP11	21.0	CF/CM/CU48C	2	1225	36.0	28.8	—	14.00	35.8	21.8	9.50	8.20	3.88	2.68
YZT36B21S	TM8Y120C20MP11	21.0	CF/CM/CU48D	1	1050	30.4	25.0	18.00	26.10	24.4	—	—	—	3.82	—
YZT36B21S	TM8Y120C20MP11	21.0	CF/CM/CU48D	2	1250	36.0	29.0	—	14.00	35.6	21.8	9.50	8.20	3.94	2.68
YZT36B21S	TM8Y120C20MP11	21.0	CF/CM/CU60C	1	1025	30.6	24.6	18.00	26.30	24.2	—	—	—	4.10	—
YZT36B21S	TM8Y120C20MP11	21.0	CF/CM/CU60C	2	1225	36.0	29.0	—	14.00	35.0	22.4	10.00	8.70	4.20	2.82
YZT36B21S	TM8Y120C20MP11	21.0	CF/CM/CU60D	1	1050	30.6	24.8	18.00	26.40	24.0	—	—	—	4.16	—
YZT36B21S	TM8Y120C20MP11	21.0	CF/CM/CU60D	2	1250	36.0	29.2	—	14.00	34.8	22.4	10.00	8.75	4.34	2.82
YZT36B21S	TM8Y120C20MP11	21.0	XAF/XAUC48F	1	1000	29.2	21.2	17.00	24.00	24.4	—	—	—	3.48	—
YZT36B21S	TM8Y120C20MP11	21.0	XAF/XAUC48F	2	1200	34.2	23.0	—	13.50	34.2	22.2	8.55	6.70	3.70	2.44
YZT36B21S	TM8Y120C20MP11	21.0	XAFC36D	1	1000	29.8	22.0	17.50	24.50	24.4	—	—	—	3.44	—
YZT36B21S	TM8Y120C20MP11	21.0	XAFC36D	2	1325	34.4	23.4	—	13.00	34.2	22.4	8.55	6.75	3.58	2.38
YZT36B21S	TM8Y120C20MP11	24.5	XAHD48F	1	1000	29.4	21.4	17.50	24.05	24.8	—	—	—	3.54	—
YZT36B21S	TM8Y120C20MP11	24.5	XAHD48F	2	1200	34.0	23.4	—	13.00	34.2	21.6	8.55	6.85	3.62	2.40
YZT36B21S	TM8Y120C20MP11	21.0	XAHD60G	1	1000	30.0	22.2	17.50	24.50	24.2	—	—	—	3.52	—
YZT36B21S	TM8Y120C20MP11	21.0	XAHD60G	2	1200	34.6	23.8	—	13.00	33.8	21.8	8.55	6.75	3.62	2.46

**SYSTEM CAPACITY — With High Efficiency Motor Furnaces<sup>1</sup> (Continued)**

UNIT MODEL	FURNACE MODEL	WIDTH	COIL MODEL <sup>2</sup>	Stage	COOLING					HEATING					
					RATED CFM	NET MBH		SEER	EER	NET MBH		HSPF IV	HSPF V	COP	
						TOTAL	SENS.			47°F OD	17°F OD			47°F OD	17°F OD
YZT36B21S	TM9E060A10MP12	17.5	XAF/XAUB36D	1	900	28.8	20.6	16.00	22.55	24.4	—	—	—	3.20	—
YZT36B21S	TM9E060A10MP12	17.5	XAF/XAUB36D	2	1125	33.2	22.6	—	12.00	34.4	22.6	8.20	6.70	3.36	2.28
YZT36B21S	TM9E060B12MP12	17.5	XAF/XAUB36D	1	925	29.0	21.0	16.00	22.25	24.6	—	—	—	3.22	—
YZT36B21S	TM9E060B12MP12	17.5	XAF/XAUB36D	2	1050	33.2	22.8	—	12.50	34.2	22.4	8.20	6.70	3.36	2.28
YZT36B21S	TM9E060B12MP12	21.0	XAF/XAUC48F	1	775	27.8	18.8	16.50	23.05	24.0	—	—	—	3.14	—
YZT36B21S	TM9E060B12MP12	21.0	XAF/XAUC48F	2	1075	33.4	22.4	—	12.50	34.6	22.4	8.20	6.45	3.52	2.36
YZT36B21S	TM9E060B12MP12	21.0	XAF/XAUC60G	1	800	28.8	19.8	17.00	23.90	23.8	—	—	—	3.20	—
YZT36B21S	TM9E060B12MP12	21.0	XAF/XAUC60G	2	1225	34.4	23.2	—	12.00	34.6	22.0	8.20	6.45	3.50	2.32
YZT36B21S	TM9E060B12MP12	21.0	XAFC36D	1	925	29.0	21.0	16.00	22.30	24.6	—	—	—	3.22	—
YZT36B21S	TM9E060B12MP12	21.0	XAFC36D	2	1050	33.2	22.8	—	12.50	34.2	22.2	8.20	6.70	3.36	2.28
YZT36B21S	TM9E060B12MP12	21.0	XAHC48F	1	775	28.0	19.0	16.50	23.20	24.2	—	—	—	3.16	—
YZT36B21S	TM9E060B12MP12	21.0	XAHC48F	2	1075	33.2	22.8	—	12.50	34.4	22.0	8.20	6.60	3.44	2.32
YZT36B21S	TM9E060B12MP12	21.0	XAHC60G	1	825	28.8	20.2	17.00	23.95	23.8	—	—	—	3.24	—
YZT36B21S	TM9E060B12MP12	21.0	XAHC60G	2	1225	34.0	23.2	—	12.00	34.6	22.4	8.55	7.00	3.48	2.38
YZT36B21S	TM9E080B12MP11	17.5	CF/CM/CU36B	1	900	28.4	22.0	17.00	23.60	29.2	—	—	—	4.42	—
YZT36B21S	TM9E080B12MP11	17.5	CF/CM/CU36B	2	975	34.2	25.2	—	13.00	35.2	21.8	9.50	8.35	3.74	2.68
YZT36B21S	TM9E080B12MP11	17.5	CF/CM/CU36C	1	925	28.8	22.6	17.00	23.95	29.0	—	—	—	4.44	—
YZT36B21S	TM9E080B12MP11	17.5	CF/CM/CU36C	2	1000	34.6	25.6	—	13.00	35.4	21.8	9.50	8.35	3.80	2.68
YZT36B21S	TM9E080B12MP11	17.5	CF/CM/CU42C	1	925	29.6	22.8	17.00	24.15	28.2	—	—	—	3.98	—
YZT36B21S	TM9E080B12MP11	17.5	CF/CM/CU42C	2	1000	33.6	25.2	—	13.00	35.4	21.8	9.50	8.25	3.66	2.68
YZT36B21S	TM9E080B12MP11	17.5	CF/CM/CU48C	1	925	29.8	23.0	17.00	25.15	24.4	—	—	—	3.72	—
YZT36B21S	TM9E080B12MP11	17.5	CF/CM/CU48C	2	1000	35.2	25.8	—	13.00	35.6	21.8	9.50	8.20	3.84	2.68
YZT36B21S	TM9E080B12MP11	17.5	CF/CM/CU60C	1	925	30.0	23.2	17.00	25.20	24.2	—	—	—	4.02	—
YZT36B21S	TM9E080B12MP11	17.5	CF/CM/CU60C	2	1000	35.6	26.0	—	13.00	35.2	22.4	9.50	8.70	4.06	2.82
YZT36B21S	TM9E080B12MP11	17.5	CF42B	1	900	28.6	22.2	17.00	23.30	28.2	—	—	—	4.02	—
YZT36B21S	TM9E080B12MP11	17.5	CF42B	2	975	33.4	24.8	—	13.00	35.2	21.8	9.50	8.25	3.68	2.68
YZT36B21S	TM9E080B12MP12	17.5	XAF/XAUB36D	1	825	28.4	19.8	16.50	23.60	24.0	—	—	—	3.16	—
YZT36B21S	TM9E080B12MP12	17.5	XAF/XAUB36D	2	1200	33.6	22.8	—	12.50	34.4	22.6	8.20	6.65	3.42	2.30
YZT36B21S	TM9E080B12MP12	21.0	XAF/XAUC48F	1	975	28.8	20.6	16.50	22.95	24.4	—	—	—	3.38	—
YZT36B21S	TM9E080B12MP12	21.0	XAF/XAUC48F	2	1225	34.0	22.6	—	12.50	34.8	22.6	8.55	6.75	3.58	2.38
YZT36B21S	TM9E080B12MP12	21.0	XAF/XAUC60G	1	1000	30.2	22.2	17.00	24.05	24.4	—	—	—	3.46	—
YZT36B21S	TM9E080B12MP12	21.0	XAF/XAUC60G	2	1325	34.8	23.4	—	12.50	34.6	22.0	8.55	6.75	3.56	2.36
YZT36B21S	TM9E080B12MP12	21.0	XAFC36D	1	825	28.4	19.8	16.50	23.60	24.0	—	—	—	3.16	—
YZT36B21S	TM9E080B12MP12	21.0	XAFC36D	2	1200	33.6	22.8	—	12.50	34.4	22.6	8.20	6.55	3.42	2.32
YZT36B21S	TM9E080B12MP12	21.0	XAHC48F	1	975	29.2	21.0	17.00	23.15	24.8	—	—	—	3.46	—
YZT36B21S	TM9E080B12MP12	21.0	XAHC48F	2	1225	33.8	23.2	—	12.50	34.6	22.0	8.55	6.90	3.52	2.34
YZT36B21S	TM9E080B12MP12	21.0	XAHC60G	1	875	29.2	20.8	17.00	24.30	24.0	—	—	—	3.32	—

**SYSTEM CAPACITY — With High Efficiency Motor Furnaces<sup>1</sup> (Continued)**

UNIT MODEL	FURNACE MODEL	WIDTH	COIL MODEL <sup>2</sup>	Stage	COOLING					HEATING					
					RATED CFM	NET MBH		SEER	EER	NET MBH		HSPF IV	HSPF V	COP	
						TOTAL	SENS.			47°F OD	17°F OD			47°F OD	17°F OD
YZT36B21S	TM9E080B12MP12	21.0	XAHC60G	2	1250	34.4	23.6	—	12.50	34.4	22.4	8.55	6.75	3.56	2.42
YZT36B21S	TM9E080C16MP12	21.0	XAF/XAUC48F	1	925	28.8	20.4	17.00	23.60	24.2	—	—	—	3.36	—
YZT36B21S	TM9E080C16MP12	21.0	XAF/XAUC48F	2	1250	34.2	22.8	—	13.00	34.6	22.4	8.55	6.95	3.64	2.42
YZT36B21S	TM9E080C16MP12	21.0	XAF/XAUC60G	1	925	29.8	21.4	17.50	24.40	24.0	—	—	—	3.38	—
YZT36B21S	TM9E080C16MP12	21.0	XAF/XAUC60G	2	1250	34.8	23.6	—	13.00	34.2	21.6	8.55	6.75	3.60	2.38
YZT36B21S	TM9E080C16MP12	24.5	XAF/XAUD60G	1	925	29.8	21.4	17.50	24.35	24.0	—	—	—	3.38	—
YZT36B21S	TM9E080C16MP12	24.5	XAF/XAUD60G	2	1250	34.8	23.6	—	13.00	34.2	21.6	8.55	6.75	3.60	2.38
YZT36B21S	TM9E080C16MP12	21.0	XAFC36D	1	775	28.2	19.4	17.00	23.90	23.8	—	—	—	3.10	—
YZT36B21S	TM9E080C16MP12	21.0	XAFC36D	2	1225	34.0	23.2	—	12.50	34.2	22.4	8.20	6.60	3.48	2.34
YZT36B21S	TM9E080C16MP12	24.5	XAFD48F	1	925	28.8	20.4	17.00	23.60	24.2	—	—	—	3.36	—
YZT36B21S	TM9E080C16MP12	24.5	XAFD48F	2	1250	34.2	22.8	—	13.00	34.6	22.4	8.55	6.95	3.64	2.42
YZT36B21S	TM9E080C16MP12	21.0	XAHC48F	1	825	28.4	19.6	17.50	24.15	24.2	—	—	—	3.26	—
YZT36B21S	TM9E080C16MP12	21.0	XAHC48F	2	1250	34.0	23.2	—	12.50	34.6	21.8	8.55	6.90	3.58	2.36
YZT36B21S	TM9E080C16MP12	21.0	XAHC60G	1	850	29.0	20.4	17.50	24.75	23.8	—	—	—	3.30	—
YZT36B21S	TM9E080C16MP12	21.0	XAHC60G	2	1275	34.6	23.8	—	13.00	34.2	22.2	8.55	7.00	3.62	2.44
YZT36B21S	TM9E080C16MP12	24.5	XAHD48F	1	925	29.0	20.6	17.00	23.65	24.6	—	—	—	3.40	—
YZT36B21S	TM9E080C16MP12	24.5	XAHD48F	2	1250	34.0	23.2	—	12.50	34.6	21.8	8.55	6.80	3.58	2.36
YZT36B21S	TM9E080C16MP12	21.0	XAHD60G	1	925	29.4	21.2	17.00	24.05	24.0	—	—	—	3.38	—
YZT36B21S	TM9E080C16MP12	21.0	XAHD60G	2	1250	34.4	23.6	—	12.50	34.2	22.2	8.55	7.00	3.58	2.44
YZT36B21S	TM9E100C16MP11	21.0	CF/CM/CU36C	1	1025	29.0	24.0	17.00	24.05	29.0	—	—	—	4.46	—
YZT36B21S	TM9E100C16MP11	21.0	CF/CM/CU36C	2	1275	34.4	28.6	—	13.00	35.6	21.8	9.50	8.30	3.60	2.68
YZT36B21S	TM9E100C16MP11	21.0	CF/CM/CU42C	1	1025	29.4	24.0	17.00	24.55	28.0	—	—	—	4.22	—
YZT36B21S	TM9E100C16MP11	21.0	CF/CM/CU42C	2	1275	34.6	28.8	—	13.00	35.4	21.8	9.50	8.30	3.88	2.68
YZT36B21S	TM9E100C16MP11	21.0	CF/CM/CU48C	1	1025	30.4	24.6	18.00	25.55	24.4	—	—	—	3.72	—
YZT36B21S	TM9E100C16MP11	21.0	CF/CM/CU48C	2	1275	35.6	29.2	—	13.00	35.8	21.8	9.60	8.15	3.88	2.68
YZT36B21S	TM9E100C16MP11	21.0	CF/CM/CU48D	1	1050	29.4	24.4	18.00	24.85	24.2	—	—	—	3.94	—
YZT36B21S	TM9E100C16MP11	21.0	CF/CM/CU48D	2	1300	36.0	29.8	—	13.00	35.6	21.8	9.60	8.25	4.06	2.68
YZT36B21S	TM9E100C16MP11	21.0	CF/CM/CU60C	1	1025	30.4	24.4	18.00	25.65	24.2	—	—	—	3.94	—
YZT36B21S	TM9E100C16MP11	21.0	CF/CM/CU60C	2	1275	36.0	29.4	—	14.00	35.6	22.4	10.00	8.65	4.06	2.82
YZT36B21S	TM9E100C16MP11	21.0	CF/CM/CU60D	1	1050	30.4	24.8	18.00	25.70	24.2	—	—	—	4.10	—
YZT36B21S	TM9E100C16MP11	21.0	CF/CM/CU60D	2	1300	35.6	29.6	—	13.00	35.2	22.4	10.00	8.70	4.24	2.82
YZT36B21S	TM9E100C16MP12	21.0	XAF/XAUC48F	1	950	28.8	20.6	17.00	23.55	24.2	—	—	—	3.38	—
YZT36B21S	TM9E100C16MP12	21.0	XAF/XAUC48F	2	1250	34.2	22.8	—	13.00	34.6	22.4	8.55	6.95	3.66	2.42
YZT36B21S	TM9E100C16MP12	21.0	XAF/XAUC60G	1	850	29.4	20.6	17.50	24.75	23.8	—	—	—	3.28	—
YZT36B21S	TM9E100C16MP12	21.0	XAF/XAUC60G	2	1275	35.0	23.6	—	13.00	34.2	21.6	8.55	6.75	3.64	2.40
YZT36B21S	TM9E100C16MP12	24.5	XAF/XAUD60G	1	850	29.4	20.6	17.50	24.75	23.8	—	—	—	3.28	—
YZT36B21S	TM9E100C16MP12	24.5	XAF/XAUD60G	2	1275	35.0	23.6	—	13.00	34.2	21.6	8.55	6.75	3.64	2.40



SYSTEM CAPACITY — With High Efficiency Motor Furnaces<sup>1</sup> (Continued)

UNIT MODEL	FURNACE MODEL	WIDTH	COIL MODEL <sup>2</sup>	Stage	COOLING					HEATING					
					RATED CFM	NET MBH		SEER	EER	NET MBH		HSPF IV	HSPF V	COP	
						TOTAL	SENS.			47°F OD	17°F OD			47°F OD	17°F OD
YZT36B21S	TM9E100C16MP12	21.0	XAFC36D	1	950	29.4	21.4	17.00	23.95	24.4	—	—	—	3.34	—
YZT36B21S	TM9E100C16MP12	21.0	XAFC36D	2	1225	34.0	23.2	—	12.50	34.2	22.4	8.55	6.95	3.48	2.34
YZT36B21S	TM9E100C16MP12	24.5	XAFD48F	1	825	28.2	19.4	17.00	23.85	24.0	—	—	—	3.22	—
YZT36B21S	TM9E100C16MP12	24.5	XAFD48F	2	1250	34.2	22.8	—	13.00	34.6	22.4	8.55	6.75	3.66	2.42
YZT36B21S	TM9E100C16MP12	21.0	XAHC48F	1	975	29.2	21.0	17.50	23.85	24.8	—	—	—	3.50	—
YZT36B21S	TM9E100C16MP12	21.0	XAHC48F	2	1250	34.0	23.2	—	12.50	34.4	21.8	8.55	6.75	3.58	2.36
YZT36B21S	TM9E100C16MP12	21.0	XAHC60G	1	900	29.4	21.0	17.50	24.85	24.0	—	—	—	3.38	—
YZT36B21S	TM9E100C16MP12	21.0	XAHC60G	2	1275	34.6	23.8	—	13.00	34.2	22.2	8.55	6.90	3.62	2.46
YZT36B21S	TM9E100C16MP12	24.5	XAHD48F	1	950	29.2	20.8	17.00	23.65	24.8	—	—	—	3.44	—
YZT36B21S	TM9E100C16MP12	24.5	XAHD48F	2	1250	34.0	23.2	—	12.50	34.6	21.8	8.55	6.75	3.58	2.36
YZT36B21S	TM9E100C16MP12	21.0	XAHD60G	1	825	28.8	20.2	17.00	24.25	23.8	—	—	—	3.24	—
YZT36B21S	TM9E100C16MP12	21.0	XAHD60G	2	1250	34.6	23.8	—	12.50	34.2	22.2	8.55	6.80	3.60	2.44
YZT36B21S	TM9E120D20MP11	24.5	CF/CM/CU42D	1	1000	29.6	23.8	18.00	25.40	27.8	—	—	—	4.30	—
YZT36B21S	TM9E120D20MP11	24.5	CF/CM/CU42D	2	1250	34.6	28.6	—	13.00	35.2	21.8	9.60	8.35	3.96	2.68
YZT36B21S	TM9E120D20MP11	24.5	CF/CM/CU48D	1	1000	30.4	24.4	18.00	26.45	24.4	—	—	—	3.80	—
YZT36B21S	TM9E120D20MP11	24.5	CF/CM/CU48D	2	1250	36.0	29.0	—	14.00	35.6	21.8	9.50	8.20	3.92	2.68
YZT36B21S	TM9E120D20MP11	24.5	CF/CM/CU60D	1	1000	30.2	24.2	18.00	26.45	24.0	—	—	—	4.14	—
YZT36B21S	TM9E120D20MP11	24.5	CF/CM/CU60D	2	1250	36.0	29.2	—	14.00	35.0	22.4	10.00	8.75	4.32	2.82
YZT36B21S	TM9V060B12MP12C	17.5	CF/CM/CU36B	1	650	27.0	18.6	17.00	23.95	28.8	—	—	—	3.98	—
YZT36B21S	TM9V060B12MP12C	17.5	CF/CM/CU36B	2	1000	34.4	25.4	—	13.00	35.6	21.8	9.00	8.25	3.72	2.68
YZT36B21S	TM9V060B12MP12C	17.5	CF/CM/CU36C	1	650	27.0	18.6	17.00	24.15	28.6	—	—	—	4.00	—
YZT36B21S	TM9V060B12MP12C	17.5	CF/CM/CU36C	2	1000	34.4	25.4	—	13.00	35.4	21.8	9.00	8.25	3.76	2.68
YZT36B21S	TM9V060B12MP12C	17.5	CF/CM/CU42C	1	650	28.0	19.0	17.00	24.45	28.6	—	—	—	3.40	—
YZT36B21S	TM9V060B12MP12C	17.5	CF/CM/CU42C	2	1000	33.4	25.0	—	13.00	35.4	21.8	9.00	8.10	3.62	2.68
YZT36B21S	TM9V060B12MP12C	17.5	CF/CM/CU48C	1	650	28.2	19.1	17.00	25.45	24.4	—	—	—	3.22	—
YZT36B21S	TM9V060B12MP12C	17.5	CF/CM/CU48C	2	1000	35.0	25.8	—	13.00	35.8	21.8	9.00	8.05	3.80	2.68
YZT36B21S	TM9V060B12MP12C	17.5	CF/CM/CU60C	1	750	29.2	20.6	17.00	25.70	24.2	—	—	—	3.66	—
YZT36B21S	TM9V060B12MP12C	17.5	CF/CM/CU60C	2	1225	35.4	28.4	—	13.00	35.8	22.4	9.50	8.55	3.96	2.82
YZT36B21S	TM9V060B12MP12C	17.5	CF42B	1	650	28.0	19.0	17.00	24.20	28.6	—	—	—	3.38	—
YZT36B21S	TM9V060B12MP12C	17.5	CF42B	2	1000	33.4	25.0	—	13.00	35.6	21.8	9.00	8.10	3.60	2.68
YZT36B21S	TM9V060B12MP12C	21.0	XAF/XAUC48F	1	650	27.2	17.7	16.50	23.00	23.6	—	—	—	3.00	—
YZT36B21S	TM9V060B12MP12C	21.0	XAF/XAUC48F	2	1000	33.2	22.2	—	12.50	34.4	22.4	8.20	6.60	3.50	2.36
YZT36B21S	TM9V060B12MP12C	21.0	XAF/XAUC60G	1	700	28.2	18.7	17.00	23.85	23.6	—	—	—	3.08	—
YZT36B21S	TM9V060B12MP12C	21.0	XAF/XAUC60G	2	1100	34.0	22.8	—	12.50	34.2	21.6	8.20	6.60	3.50	2.34
YZT36B21S	TM9V060B12MP12C	21.0	XAHC48F	1	700	27.6	18.3	17.00	23.40	24.0	—	—	—	3.08	—
YZT36B21S	TM9V060B12MP12C	21.0	XAHC48F	2	1100	33.2	22.8	—	12.50	34.4	22.0	8.20	6.60	3.46	2.32
YZT36B21S	TM9V060B12MP12C	21.0	XAHC60G	1	675	27.8	18.4	17.00	23.80	23.6	—	—	—	3.06	—

**SYSTEM CAPACITY — With High Efficiency Motor Furnaces<sup>1</sup> (Continued)**

UNIT MODEL	FURNACE MODEL	WIDTH	COIL MODEL <sup>2</sup>	Stage	COOLING					HEATING					
					RATED CFM	NET MBH		SEER	EER	NET MBH		HSPF IV	HSPF V	COP	
						TOTAL	SENS.			47°F OD	17°F OD			47°F OD	17°F OD
YZT36B21S	TM9V060B12MP12C	21.0	XAHC60G	2	1100	33.8	23.2	—	12.50	34.0	22.0	8.20	6.60	3.48	2.40
YZT36B21S	TM9V080B12MP12C	17.5	CF/CM/CU36B	1	675	27.4	19.1	17.00	24.30	28.6	—	—	—	4.02	—
YZT36B21S	TM9V080B12MP12C	17.5	CF/CM/CU36B	2	975	34.2	25.2	—	13.00	35.2	21.8	9.50	8.25	3.74	2.68
YZT36B21S	TM9V080B12MP12C	17.5	CF/CM/CU42C	1	675	28.2	19.3	17.00	24.90	28.6	—	—	—	3.30	—
YZT36B21S	TM9V080B12MP12C	17.5	CF/CM/CU42C	2	950	33.8	24.8	—	13.00	35.6	21.8	9.00	8.05	3.54	2.68
YZT36B21S	TM9V080B12MP12C	17.5	CF/CM/CU48C	1	650	28.2	19.1	17.00	25.55	24.4	—	—	—	3.24	—
YZT36B21S	TM9V080B12MP12C	17.5	CF/CM/CU48C	2	950	34.8	25.2	—	13.00	35.8	21.8	9.00	8.05	3.80	2.68
YZT36B21S	TM9V080B12MP12C	17.5	CF/CM/CU60C	1	825	29.4	21.8	18.00	25.90	24.0	—	—	—	3.90	—
YZT36B21S	TM9V080B12MP12C	17.5	CF/CM/CU60C	2	1250	35.4	28.8	—	13.00	35.4	22.4	9.50	8.65	4.14	2.82
YZT36B21S	TM9V080B12MP12C	17.5	CF42B	1	675	27.4	19.0	17.00	24.50	28.4	—	—	—	3.50	—
YZT36B21S	TM9V080B12MP12C	17.5	CF42B	2	975	33.2	24.8	—	13.00	35.2	21.8	9.00	8.15	3.68	2.68
YZT36B21S	TM9V080B12MP12C	17.5	XAF/XAUB36D	1	825	28.4	19.8	16.50	23.35	24.0	—	—	—	3.16	—
YZT36B21S	TM9V080B12MP12C	17.5	XAF/XAUB36D	2	1250	33.6	22.8	—	12.00	34.4	22.6	8.20	6.60	3.42	2.32
YZT36B21S	TM9V080B12MP12C	21.0	XAF/XAUC48F	1	825	28.2	19.4	16.50	23.30	24.0	—	—	—	3.22	—
YZT36B21S	TM9V080B12MP12C	21.0	XAF/XAUC48F	2	1250	34.0	22.6	—	12.50	34.8	22.6	8.55	6.90	3.60	2.38
YZT36B21S	TM9V080B12MP12C	21.0	XAF/XAUC60G	1	775	28.8	19.7	17.00	24.25	23.8	—	—	—	3.18	—
YZT36B21S	TM9V080B12MP12C	21.0	XAF/XAUC60G	2	1175	34.4	23.2	—	13.00	34.0	21.6	8.20	6.60	3.56	2.38
YZT36B21S	TM9V080B12MP12C	21.0	XAFC36D	1	825	28.4	19.8	16.50	23.45	24.0	—	—	—	3.16	—
YZT36B21S	TM9V080B12MP12C	21.0	XAFC36D	2	1250	33.8	23.0	—	12.00	34.4	22.6	8.20	6.60	3.44	2.32
YZT36B21S	TM9V080B12MP12C	21.0	XAHC48F	1	825	28.4	19.6	17.00	23.70	24.2	—	—	—	3.26	—
YZT36B21S	TM9V080B12MP12C	21.0	XAHC48F	2	1250	33.8	23.0	—	12.00	34.6	22.0	8.50	6.90	3.54	2.34
YZT36B21S	TM9V080B12MP12C	21.0	XAHC60G	1	800	28.6	19.8	17.00	24.25	23.8	—	—	—	3.24	—
YZT36B21S	TM9V080B12MP12C	21.0	XAHC60G	2	1250	34.4	23.6	—	12.50	34.2	22.2	8.55	6.85	3.56	2.42
YZT36B21S	TM9V080C16MP12C	21.0	CF/CM/CU36C	1	675	26.8	18.8	17.00	23.95	28.6	—	—	—	3.92	—
YZT36B21S	TM9V080C16MP12C	21.0	CF/CM/CU36C	2	1025	33.8	25.6	—	13.00	35.2	21.8	9.50	8.25	3.70	2.68
YZT36B21S	TM9V080C16MP12C	21.0	CF/CM/CU42C	1	625	27.8	18.7	17.00	24.40	28.6	—	—	—	3.28	—
YZT36B21S	TM9V080C16MP12C	21.0	CF/CM/CU42C	2	950	33.8	24.8	—	13.00	35.4	21.8	9.00	8.05	3.56	2.68
YZT36B21S	TM9V080C16MP12C	21.0	CF/CM/CU42D	1	625	27.8	18.7	17.00	24.40	28.6	—	—	—	3.28	—
YZT36B21S	TM9V080C16MP12C	21.0	CF/CM/CU42D	2	950	33.8	24.8	—	13.00	35.4	21.8	9.00	8.05	3.56	2.68
YZT36B21S	TM9V080C16MP12C	21.0	CF/CM/CU48C	1	700	28.6	20.0	18.00	25.85	24.4	—	—	—	3.40	—
YZT36B21S	TM9V080C16MP12C	21.0	CF/CM/CU48C	2	1025	35.2	26.2	—	14.00	35.6	21.8	9.50	8.10	3.88	2.68
YZT36B21S	TM9V080C16MP12C	21.0	CF/CM/CU48D	1	700	28.6	20.0	18.00	25.85	24.4	—	—	—	3.40	—
YZT36B21S	TM9V080C16MP12C	21.0	CF/CM/CU48D	2	1025	35.2	26.2	—	14.00	35.6	21.8	9.50	8.10	3.88	2.68
YZT36B21S	TM9V080C16MP12C	21.0	CF/CM/CU60C	1	800	29.6	21.4	18.00	26.25	24.2	—	—	—	3.78	—
YZT36B21S	TM9V080C16MP12C	21.0	CF/CM/CU60C	2	1225	35.8	28.8	—	13.00	35.4	22.4	10.00	8.60	4.10	2.82
YZT36B21S	TM9V080C16MP12C	21.0	CF/CM/CU60D	1	800	29.6	21.4	18.00	26.35	24.0	—	—	—	3.78	—
YZT36B21S	TM9V080C16MP12C	21.0	CF/CM/CU60D	2	1225	35.8	28.8	—	14.00	35.4	22.4	10.00	8.60	4.12	2.82

SYSTEM CAPACITY — With High Efficiency Motor Furnaces<sup>1</sup> (Continued)

UNIT MODEL	FURNACE MODEL	WIDTH	COIL MODEL <sup>2</sup>	Stage	COOLING					HEATING					
					RATED CFM	NET MBH		SEER	EER	NET MBH		HSPF IV	HSPF V	COP	
						TOTAL	SENS.			47°F OD	17°F OD			47°F OD	17°F OD
YZT36B21S	TM9V080C16MP12C	21.0	XAF/XAUC48F	1	875	28.4	19.8	17.00	23.50	24.0	—	—	—	3.30	—
YZT36B21S	TM9V080C16MP12C	21.0	XAF/XAUC48F	2	1300	34.4	23.0	—	12.50	34.8	22.4	8.55	6.95	3.66	2.42
YZT36B21S	TM9V080C16MP12C	21.0	XAF/XAUC60G	1	875	29.4	20.8	17.50	24.45	24.0	—	—	—	3.32	—
YZT36B21S	TM9V080C16MP12C	21.0	XAF/XAUC60G	2	1300	35.0	23.6	—	13.00	34.2	21.8	8.55	6.75	3.62	2.40
YZT36B21S	TM9V080C16MP12C	24.5	XAF/XAUD60G	1	875	29.4	20.8	17.00	24.30	24.0	—	—	—	3.32	—
YZT36B21S	TM9V080C16MP12C	24.5	XAF/XAUD60G	2	1300	35.0	23.6	—	13.00	34.2	21.6	8.55	6.80	3.64	2.40
YZT36B21S	TM9V080C16MP12C	21.0	XAFC36D	1	900	29.0	20.8	16.50	23.65	24.2	—	—	—	3.28	—
YZT36B21S	TM9V080C16MP12C	21.0	XAFC36D	2	1375	34.2	23.2	—	12.00	34.6	22.8	8.55	6.95	3.50	2.36
YZT36B21S	TM9V080C16MP12C	24.5	XAFD48F	1	875	28.4	19.8	17.00	23.50	24.0	—	—	—	3.30	—
YZT36B21S	TM9V080C16MP12C	24.5	XAFD48F	2	1300	34.4	23.0	—	12.50	34.6	22.4	8.55	6.95	3.68	2.42
YZT36B21S	TM9V080C16MP12C	21.0	XAHC36D	1	900	28.8	20.4	16.00	22.80	24.0	—	—	—	3.20	—
YZT36B21S	TM9V080C16MP12C	21.0	XAHC36D	2	1375	34.6	23.2	—	12.00	34.8	22.4	8.20	6.60	3.44	2.24
YZT36B21S	TM9V080C16MP12C	21.0	XAHC48F	1	875	28.6	20.0	17.00	23.80	24.4	—	—	—	3.36	—
YZT36B21S	TM9V080C16MP12C	21.0	XAHC48F	2	1300	34.2	23.4	—	12.50	34.6	21.8	8.50	6.75	3.60	2.38
YZT36B21S	TM9V080C16MP12C	21.0	XAHC60G	1	875	29.2	20.8	17.50	24.50	23.8	—	—	—	3.34	—
YZT36B21S	TM9V080C16MP12C	21.0	XAHC60G	2	1300	34.6	23.8	—	12.50	34.2	22.2	8.55	6.90	3.64	2.46
YZT36B21S	TM9V080C16MP12C	24.5	XAHD48F	1	875	28.6	20.0	17.00	23.55	24.4	—	—	—	3.34	—
YZT36B21S	TM9V080C16MP12C	24.5	XAHD48F	2	1300	34.2	23.4	—	12.50	34.6	21.8	8.55	6.80	3.60	2.36
YZT36B21S	TM9V080C16MP12C	21.0	XAHD60G	1	875	29.2	20.8	17.00	23.90	24.0	—	—	—	3.32	—
YZT36B21S	TM9V080C16MP12C	21.0	XAHD60G	2	1300	34.6	23.8	—	12.50	34.4	22.2	8.55	7.00	3.62	2.44
YZT36B21S	TM9V100C16MP12C	21.0	CF/CM/CU36C	1	700	27.6	19.4	17.00	24.80	28.6	—	—	—	4.16	—
YZT36B21S	TM9V100C16MP12C	21.0	CF/CM/CU36C	2	1000	34.8	25.8	—	13.00	35.2	21.8	9.50	8.30	3.84	2.68
YZT36B21S	TM9V100C16MP12C	21.0	CF/CM/CU42C	1	700	27.8	19.4	17.00	25.20	28.4	—	—	—	3.58	—
YZT36B21S	TM9V100C16MP12C	21.0	CF/CM/CU42C	2	1000	33.8	25.4	—	13.00	35.2	21.8	9.00	8.15	3.72	2.68
YZT36B21S	TM9V100C16MP12C	21.0	CF/CM/CU42D	1	700	28.0	19.6	17.00	25.25	28.2	—	—	—	3.70	—
YZT36B21S	TM9V100C16MP12C	21.0	CF/CM/CU42D	2	975	33.6	25.0	—	13.00	35.0	21.8	9.50	8.20	3.74	2.68
YZT36B21S	TM9V100C16MP12C	21.0	CF/CM/CU48C	1	700	28.6	19.9	18.00	26.00	24.4	—	—	—	3.42	—
YZT36B21S	TM9V100C16MP12C	21.0	CF/CM/CU48C	2	975	35.0	25.6	—	14.00	35.4	21.8	9.50	8.10	3.88	2.68
YZT36B21S	TM9V100C16MP12C	21.0	CF/CM/CU48D	1	700	28.6	19.9	18.00	26.00	24.4	—	—	—	3.42	—
YZT36B21S	TM9V100C16MP12C	21.0	CF/CM/CU48D	2	975	35.0	25.6	—	14.00	35.4	21.8	9.50	8.10	3.90	2.68
YZT36B21S	TM9V100C16MP12C	21.0	CF/CM/CU60C	1	800	30.0	21.6	18.00	26.75	24.6	—	—	—	3.14	—
YZT36B21S	TM9V100C16MP12C	21.0	CF/CM/CU60C	2	1175	36.0	28.4	—	14.00	36.0	22.4	9.50	8.30	3.62	2.82
YZT36B21S	TM9V100C16MP12C	21.0	CF/CM/CU60D	1	800	30.0	21.6	19.00	26.90	24.6	—	—	—	3.16	—
YZT36B21S	TM9V100C16MP12C	21.0	CF/CM/CU60D	2	1175	36.0	28.2	—	14.00	36.0	22.4	9.50	8.30	3.64	2.82
YZT36B21S	TM9V100C16MP12C	21.0	XAF/XAUC48F	1	850	28.4	19.7	17.00	23.85	24.0	—	—	—	3.28	—
YZT36B21S	TM9V100C16MP12C	21.0	XAF/XAUC48F	2	1225	34.2	22.8	—	13.00	34.4	22.2	8.55	6.95	3.70	2.44
YZT36B21S	TM9V100C16MP12C	21.0	XAF/XAUC60G	1	875	29.4	20.8	17.50	24.80	23.8	—	—	—	3.34	—

SYSTEM CAPACITY — With High Efficiency Motor Furnaces<sup>1</sup> (Continued)

UNIT MODEL	FURNACE MODEL	WIDTH	COIL MODEL <sup>2</sup>	Stage	COOLING					HEATING					
					RATED CFM	NET MBH		SEER	EER	NET MBH		HSPF IV	HSPF V	COP	
						TOTAL	SENS.			47°F OD	17°F OD			47°F OD	17°F OD
YZT36B21S	TM9V100C16MP12C	21.0	XAF/XAUC60G	2	1275	35.0	23.6	—	13.00	34.0	21.4	8.55	6.70	3.68	2.42
YZT36B21S	TM9V100C16MP12C	24.5	XAF/XAUD60G	1	850	29.4	20.6	17.50	24.65	23.8	—	—	—	3.30	—
YZT36B21S	TM9V100C16MP12C	24.5	XAF/XAUD60G	2	1225	34.8	23.6	—	13.00	33.8	21.4	8.55	6.80	3.66	2.42
YZT36B21S	TM9V100C16MP12C	21.0	XAFC36D	1	925	29.2	21.2	17.00	24.10	24.2	—	—	—	3.34	—
YZT36B21S	TM9V100C16MP12C	21.0	XAFC36D	2	1325	34.4	23.4	—	12.50	34.2	22.4	8.55	6.80	3.56	2.38
YZT36B21S	TM9V100C16MP12C	24.5	XAFD48F	1	850	28.4	19.7	17.00	23.85	24.0	—	—	—	3.28	—
YZT36B21S	TM9V100C16MP12C	24.5	XAFD48F	2	1225	34.2	22.8	—	13.00	34.4	22.2	8.55	6.95	3.70	2.44
YZT36B21S	TM9V100C16MP12C	21.0	XAHC36D	1	925	29.0	20.8	16.50	23.15	24.0	—	—	—	3.26	—
YZT36B21S	TM9V100C16MP12C	21.0	XAHC36D	2	1325	34.6	23.2	—	12.50	34.4	22.0	8.20	6.55	3.50	2.26
YZT36B21S	TM9V100C16MP12C	21.0	XAHC48F	1	875	28.8	20.2	17.50	24.20	24.4	—	—	—	3.36	—
YZT36B21S	TM9V100C16MP12C	21.0	XAHC48F	2	1275	34.2	23.4	—	13.00	34.4	21.6	8.55	6.65	3.64	2.40
YZT36B21S	TM9V100C16MP12C	21.0	XAHC60G	1	825	29.0	20.4	17.50	24.70	23.8	—	—	—	3.28	—
YZT36B21S	TM9V100C16MP12C	21.0	XAHC60G	2	1225	34.6	23.8	—	13.00	33.8	21.8	8.55	6.90	3.64	2.48
YZT36B21S	TM9V100C16MP12C	24.5	XAHD48F	1	875	28.8	20.2	17.00	23.90	24.4	—	—	—	3.36	—
YZT36B21S	TM9V100C16MP12C	24.5	XAHD48F	2	1275	34.2	23.4	—	13.00	34.4	21.6	8.55	6.75	3.64	2.40
YZT36B21S	TM9V100C16MP12C	21.0	XAHD60G	1	850	29.0	20.4	17.00	24.20	23.8	—	—	—	3.30	—
YZT36B21S	TM9V100C16MP12C	21.0	XAHD60G	2	1225	34.4	23.6	—	13.00	34.0	22.0	8.55	6.90	3.62	2.46
YZT36B21S	TM9V100C20MP12C	21.0	CF/CM/CU36C	1	650	27.2	18.7	17.00	24.70	28.8	—	—	—	3.90	—
YZT36B21S	TM9V100C20MP12C	21.0	CF/CM/CU36C	2	1100	34.2	26.6	—	13.00	35.2	21.8	9.50	8.25	3.74	2.68
YZT36B21S	TM9V100C20MP12C	21.0	CF/CM/CU42C	1	650	28.2	19.1	18.00	25.05	29.0	—	—	—	3.02	—
YZT36B21S	TM9V100C20MP12C	21.0	CF/CM/CU42C	2	1100	34.2	26.6	—	13.00	35.8	21.8	9.00	7.95	3.42	2.68
YZT36B21S	TM9V100C20MP12C	21.0	CF/CM/CU42D	1	650	28.2	19.1	18.00	25.05	29.0	—	—	—	3.02	—
YZT36B21S	TM9V100C20MP12C	21.0	CF/CM/CU42D	2	1100	34.2	26.6	—	13.00	35.8	21.8	9.00	7.95	3.44	2.68
YZT36B21S	TM9V100C20MP12C	21.0	CF/CM/CU48C	1	650	28.2	19.1	18.00	25.95	24.4	—	—	—	3.14	—
YZT36B21S	TM9V100C20MP12C	21.0	CF/CM/CU48C	2	1100	34.6	26.8	—	13.00	35.6	21.8	9.00	8.00	3.88	2.68
YZT36B21S	TM9V100C20MP12C	21.0	CF/CM/CU48D	1	650	28.2	19.1	18.00	25.95	24.4	—	—	—	3.14	—
YZT36B21S	TM9V100C20MP12C	21.0	CF/CM/CU48D	2	1100	34.6	26.8	—	13.00	35.6	21.8	9.00	8.00	3.88	2.68
YZT36B21S	TM9V100C20MP12C	21.0	CF/CM/CU60C	1	800	29.8	21.6	19.00	26.80	24.2	—	—	—	3.72	—
YZT36B21S	TM9V100C20MP12C	21.0	CF/CM/CU60C	2	1275	36.0	29.4	—	14.00	35.4	22.4	10.00	8.55	4.08	2.82
YZT36B21S	TM9V100C20MP12C	21.0	CF/CM/CU60D	1	800	29.8	21.6	19.00	26.90	24.2	—	—	—	3.72	—
YZT36B21S	TM9V100C20MP12C	21.0	CF/CM/CU60D	2	1275	36.0	29.4	—	14.00	35.4	22.4	10.00	8.60	4.10	2.82
YZT36B21S	TM9V100C20MP12C	21.0	XAF/XAUC48F	1	800	28.0	19.1	17.00	23.90	23.8	—	—	—	3.22	—
YZT36B21S	TM9V100C20MP12C	21.0	XAF/XAUC48F	2	1275	34.4	23.0	—	13.00	34.6	22.4	8.55	6.80	3.70	2.44
YZT36B21S	TM9V100C20MP12C	21.0	XAF/XAUC60G	1	800	29.0	20.0	17.50	24.70	23.6	—	—	—	3.24	—
YZT36B21S	TM9V100C20MP12C	21.0	XAF/XAUC60G	2	1275	35.0	23.6	—	13.00	34.0	21.6	8.55	6.75	3.66	2.42
YZT36B21S	TM9V100C20MP12C	24.5	XAF/XAUD60G	1	800	29.0	20.0	17.50	24.65	23.8	—	—	—	3.24	—
YZT36B21S	TM9V100C20MP12C	24.5	XAF/XAUD60G	2	1275	35.0	23.6	—	13.00	34.0	21.4	8.55	6.80	3.66	2.42

SYSTEM CAPACITY — With High Efficiency Motor Furnaces<sup>1</sup> (Continued)

UNIT MODEL	FURNACE MODEL	WIDTH	COIL MODEL <sup>2</sup>	Stage	COOLING					HEATING					
					RATED CFM	NET MBH		SEER	EER	NET MBH		HSPF IV	HSPF V	COP	
						TOTAL	SENS.			47°F OD	17°F OD			47°F OD	17°F OD
YZT36B21S	TM9V100C20MP12C	21.0	XAFC36D	1	800	28.2	19.5	17.00	24.00	23.8	—	—	—	3.16	—
YZT36B21S	TM9V100C20MP12C	21.0	XAFC36D	2	1300	34.2	23.4	—	12.50	34.2	22.4	8.20	6.70	3.54	2.38
YZT36B21S	TM9V100C20MP12C	24.5	XAFD48F	1	800	28.0	19.1	17.00	23.90	23.8	—	—	—	3.22	—
YZT36B21S	TM9V100C20MP12C	24.5	XAFD48F	2	1275	34.4	23.0	—	13.00	34.4	22.2	8.55	6.95	3.70	2.44
YZT36B21S	TM9V100C20MP12C	21.0	XAHC48F	1	825	28.4	19.6	17.50	24.15	24.2	—	—	—	3.28	—
YZT36B21S	TM9V100C20MP12C	21.0	XAHC48F	2	1350	34.4	23.6	—	12.50	34.6	21.6	8.55	6.75	3.66	2.40
YZT36B21S	TM9V100C20MP12C	21.0	XAHC60G	1	800	28.8	20.0	17.50	24.85	23.6	—	—	—	3.26	—
YZT36B21S	TM9V100C20MP12C	21.0	XAHC60G	2	1275	34.8	24.0	—	13.00	34.0	22.0	8.55	6.90	3.66	2.48
YZT36B21S	TM9V100C20MP12C	24.5	XAHD48F	1	825	28.4	19.6	17.00	23.85	24.2	—	—	—	3.28	—
YZT36B21S	TM9V100C20MP12C	24.5	XAHD48F	2	1350	34.4	23.6	—	12.50	34.6	21.6	8.55	6.85	3.66	2.40
YZT36B21S	TM9V100C20MP12C	21.0	XAHD60G	1	800	28.6	19.8	17.00	24.25	23.8	—	—	—	3.24	—
YZT36B21S	TM9V100C20MP12C	21.0	XAHD60G	2	1275	34.6	23.8	—	13.00	34.2	22.0	8.55	7.00	3.64	2.46
YZT36B21S	TM9V120D20MP12C	24.5	CF/CM/CU42D	1	700	28.6	19.8	18.00	25.75	28.8	—	—	—	3.24	—
YZT36B21S	TM9V120D20MP12C	24.5	CF/CM/CU42D	2	1050	34.0	26.0	—	13.00	35.6	21.8	9.00	8.05	3.56	2.68
YZT36B21S	TM9V120D20MP12C	24.5	CF/CM/CU48D	1	700	28.8	20.0	18.00	26.30	24.4	—	—	—	3.40	—
YZT36B21S	TM9V120D20MP12C	24.5	CF/CM/CU48D	2	1050	35.4	26.6	—	14.00	35.4	21.8	9.50	8.10	3.92	2.68
YZT36B21S	TM9V120D20MP12C	24.5	CF/CM/CU60D	1	800	30.0	21.6	19.00	27.20	24.4	—	—	—	3.48	—
YZT36B21S	TM9V120D20MP12C	24.5	CF/CM/CU60D	2	1200	36.0	28.6	—	14.00	35.8	22.4	9.60	8.45	3.94	2.82
YZT36B21S	TM9V120D20MP12C	24.5	XAF/XAUD60G	1	825	29.2	20.4	17.50	24.85	23.8	—	—	—	3.28	—
YZT36B21S	TM9V120D20MP12C	24.5	XAF/XAUD60G	2	1250	35.0	23.8	—	13.50	33.8	21.4	8.55	6.70	3.70	2.44
YZT36B21S	TM9V120D20MP12C	24.5	XAFD48F	1	800	28.2	19.3	17.00	24.00	23.8	—	—	—	3.22	—
YZT36B21S	TM9V120D20MP12C	24.5	XAFD48F	2	1200	34.2	23.0	—	13.00	34.2	22.0	8.55	6.95	3.70	2.46
YZT36B21S	TM9V120D20MP12C	24.5	XAHD48F	1	900	28.8	20.4	17.50	24.20	24.4	—	—	—	3.40	—
YZT36B21S	TM9V120D20MP12C	24.5	XAHD48F	2	1400	34.8	23.8	—	13.00	34.4	21.6	8.55	6.75	3.72	2.42
YZT36B21S	TM9V120D20MP12C	21.0	XAHD60G	1	900	29.4	21.0	17.50	24.60	23.8	—	—	—	3.40	—
YZT36B21S	TM9V120D20MP12C	21.0	XAHD60G	2	1400	35.2	24.2	—	13.00	34.2	22.2	8.75	7.10	3.76	2.50
YZT36B21S	TM9Y060B12MP11	17.5	XAF/XAUB36D	1	950	29.0	21.0	16.00	22.25	24.6	—	—	—	3.26	—
YZT36B21S	TM9Y060B12MP11	17.5	XAF/XAUB36D	2	1100	33.2	22.6	—	12.50	34.2	22.4	8.20	6.60	3.36	2.28
YZT36B21S	TM9Y060B12MP11	21.0	XAF/XAUC48F	1	700	27.4	18.1	16.50	23.05	23.8	—	—	—	3.04	—
YZT36B21S	TM9Y060B12MP11	21.0	XAF/XAUC48F	2	1125	33.6	22.4	—	12.50	34.6	22.6	8.20	6.50	3.52	2.36
YZT36B21S	TM9Y060B12MP11	21.0	XAF/XAUC60G	1	725	28.4	19.1	17.00	23.85	23.6	—	—	—	3.10	—
YZT36B21S	TM9Y060B12MP11	21.0	XAF/XAUC60G	2	1125	34.0	22.8	—	12.50	34.2	21.6	8.20	6.60	3.48	2.34
YZT36B21S	TM9Y060B12MP11	21.0	XAFC36D	1	950	29.0	21.0	16.00	22.30	24.6	—	—	—	3.26	—
YZT36B21S	TM9Y060B12MP11	21.0	XAFC36D	2	1100	33.2	22.6	—	12.50	34.2	22.4	8.20	6.60	3.36	2.28
YZT36B21S	TM9Y060B12MP11	21.0	XAHC48F	1	725	27.8	18.6	17.00	23.35	24.0	—	—	—	3.10	—
YZT36B21S	TM9Y060B12MP11	21.0	XAHC48F	2	1125	33.4	23.0	—	12.00	34.6	22.0	8.20	6.60	3.46	2.32
YZT36B21S	TM9Y060B12MP11	21.0	XAHC60G	1	1000	29.8	22.0	16.50	22.85	24.4	—	—	—	3.42	—

**SYSTEM CAPACITY — With High Efficiency Motor Furnaces<sup>1</sup> (Continued)**

UNIT MODEL	FURNACE MODEL	WIDTH	COIL MODEL <sup>2</sup>	Stage	COOLING					HEATING					
					RATED CFM	NET MBH		SEER	EER	NET MBH		HSPF IV	HSPF V	COP	
						TOTAL	SENS.			47°F OD	17°F OD			47°F OD	17°F OD
YZT36B21S	TM9Y060B12MP11	21.0	XAHC60G	2	1150	33.8	23.2	—	12.50	34.2	22.2	8.55	6.85	3.48	2.38
YZT36B21S	TM9Y080B12MP11	17.5	CF/CM/CU36B	1	900	28.4	22.0	17.00	23.60	29.2	—	—	—	4.42	—
YZT36B21S	TM9Y080B12MP11	17.5	CF/CM/CU36B	2	975	34.2	25.2	—	13.00	35.2	21.8	9.50	8.35	3.74	2.68
YZT36B21S	TM9Y080B12MP11	17.5	CF/CM/CU36C	1	925	28.8	22.6	17.00	23.95	29.0	—	—	—	4.44	—
YZT36B21S	TM9Y080B12MP11	17.5	CF/CM/CU36C	2	1000	34.6	25.6	—	13.00	35.4	21.8	9.50	8.35	3.80	2.68
YZT36B21S	TM9Y080B12MP11	17.5	CF/CM/CU42C	1	925	29.6	22.8	17.00	24.15	28.2	—	—	—	3.98	—
YZT36B21S	TM9Y080B12MP11	17.5	CF/CM/CU42C	2	1000	33.6	25.2	—	13.00	35.4	21.8	9.50	8.25	3.66	2.68
YZT36B21S	TM9Y080B12MP11	17.5	CF/CM/CU48C	1	925	29.8	23.0	17.00	25.15	24.4	—	—	—	3.72	—
YZT36B21S	TM9Y080B12MP11	17.5	CF/CM/CU48C	2	1000	35.2	25.8	—	13.00	35.6	21.8	9.50	8.20	3.84	2.68
YZT36B21S	TM9Y080B12MP11	17.5	CF/CM/CU60C	1	925	30.0	23.2	17.00	25.20	24.2	—	—	—	4.02	—
YZT36B21S	TM9Y080B12MP11	17.5	CF/CM/CU60C	2	1000	35.6	26.0	—	13.00	35.2	22.4	9.50	8.70	4.06	2.82
YZT36B21S	TM9Y080B12MP11	17.5	CF42B	1	900	28.6	22.2	17.00	23.30	28.2	—	—	—	4.02	—
YZT36B21S	TM9Y080B12MP11	17.5	CF42B	2	975	33.4	24.8	—	13.00	35.2	21.8	9.50	8.25	3.68	2.68
YZT36B21S	TM9Y080B12MP11	17.5	XAF/XAUB36D	1	900	28.8	20.6	16.50	23.05	24.4	—	—	—	3.24	—
YZT36B21S	TM9Y080B12MP11	17.5	XAF/XAUB36D	2	1125	33.4	22.8	—	12.50	34.2	22.4	8.20	6.55	3.38	2.30
YZT36B21S	TM9Y080B12MP11	21.0	XAF/XAUC48F	1	1000	29.0	21.0	16.00	22.40	24.6	—	—	—	3.38	—
YZT36B21S	TM9Y080B12MP11	21.0	XAF/XAUC48F	2	1150	33.6	22.4	—	12.50	34.6	22.6	8.55	6.80	3.56	2.38
YZT36B21S	TM9Y080B12MP11	21.0	XAF/XAUC60G	1	775	28.8	19.7	17.00	24.30	23.8	—	—	—	3.18	—
YZT36B21S	TM9Y080B12MP11	21.0	XAF/XAUC60G	2	1175	34.4	23.2	—	12.50	34.2	21.6	8.20	6.35	3.54	2.36
YZT36B21S	TM9Y080B12MP11	21.0	XAFC36D	1	900	28.8	20.6	16.50	23.10	24.4	—	—	—	3.24	—
YZT36B21S	TM9Y080B12MP11	21.0	XAFC36D	2	1150	33.6	23.0	—	12.50	34.2	22.4	8.20	6.55	3.42	2.30
YZT36B21S	TM9Y080B12MP11	21.0	XAHC48F	1	750	28.0	18.9	17.00	23.55	24.2	—	—	—	3.14	—
YZT36B21S	TM9Y080B12MP11	21.0	XAHC48F	2	1000	33.2	23.0	—	13.00	34.2	21.8	8.20	6.55	3.46	2.34
YZT36B21S	TM9Y080B12MP11	21.0	XAHC60G	1	950	29.6	21.6	17.00	23.75	24.2	—	—	—	3.40	—
YZT36B21S	TM9Y080B12MP11	21.0	XAHC60G	2	1175	34.0	23.4	—	12.50	34.2	22.2	8.55	6.75	3.50	2.40
YZT36B21S	TM9Y080C16MP11	21.0	XAF/XAUC48F	1	1000	29.0	21.0	17.00	23.30	24.4	—	—	—	3.44	—
YZT36B21S	TM9Y080C16MP11	21.0	XAF/XAUC48F	2	1250	34.2	22.8	—	13.00	34.6	22.4	8.55	6.85	3.64	2.42
YZT36B21S	TM9Y080C16MP11	21.0	XAF/XAUC60G	1	1000	30.2	22.2	17.00	24.20	24.4	—	—	—	3.48	—
YZT36B21S	TM9Y080C16MP11	21.0	XAF/XAUC60G	2	1250	34.8	23.6	—	13.00	34.2	21.6	8.55	6.65	3.60	2.38
YZT36B21S	TM9Y080C16MP11	24.5	XAF/XAUD60G	1	1000	30.2	22.2	17.00	24.15	24.2	—	—	—	3.48	—
YZT36B21S	TM9Y080C16MP11	24.5	XAF/XAUD60G	2	1250	34.8	23.6	—	13.00	34.2	21.6	8.55	6.70	3.60	2.38
YZT36B21S	TM9Y080C16MP11	21.0	XAFC36D	1	975	29.4	21.6	16.50	23.55	24.6	—	—	—	3.36	—
YZT36B21S	TM9Y080C16MP11	21.0	XAFC36D	2	1225	34.0	23.2	—	12.50	34.2	22.4	8.55	7.05	3.48	2.34
YZT36B21S	TM9Y080C16MP11	24.5	XAFD48F	1	1000	29.0	21.0	17.00	23.35	24.4	—	—	—	3.44	—
YZT36B21S	TM9Y080C16MP11	24.5	XAFD48F	2	1250	34.2	22.8	—	13.00	34.6	22.4	8.55	6.85	3.64	2.42
YZT36B21S	TM9Y080C16MP11	21.0	XAHC48F	1	1000	29.4	21.4	17.00	23.45	25.0	—	—	—	3.52	—
YZT36B21S	TM9Y080C16MP11	21.0	XAHC48F	2	1250	34.0	23.2	—	12.50	34.6	21.8	8.55	6.75	3.56	2.36

**SYSTEM CAPACITY — With High Efficiency Motor Furnaces<sup>1</sup> (Continued)**

UNIT MODEL	FURNACE MODEL	WIDTH	COIL MODEL <sup>2</sup>	Stage	COOLING					HEATING					
					RATED CFM	NET MBH		SEER	EER	NET MBH		HSPF IV	HSPF V	COP	
						TOTAL	SENS.			47°F OD	17°F OD			47°F OD	17°F OD
YZT36B21S	TM9Y080C16MP11	21.0	XAHC60G	1	775	28.6	19.7	17.00	24.10	23.8	—	—	—	3.16	—
YZT36B21S	TM9Y080C16MP11	21.0	XAHC60G	2	1275	34.6	23.8	—	12.50	34.2	22.2	8.55	6.85	3.60	2.44
YZT36B21S	TM9Y080C16MP11	24.5	XAHD48F	1	1000	29.4	21.4	17.00	23.40	25.0	—	—	—	3.50	—
YZT36B21S	TM9Y080C16MP11	24.5	XAHD48F	2	1250	34.0	23.2	—	12.50	34.6	21.8	8.55	6.75	3.56	2.36
YZT36B21S	TM9Y080C16MP11	21.0	XAHD60G	1	1000	30.0	22.2	17.00	23.80	24.2	—	—	—	3.48	—
YZT36B21S	TM9Y080C16MP11	21.0	XAHD60G	2	1250	34.4	23.6	—	12.50	34.2	22.2	8.55	6.90	3.58	2.44
YZT36B21S	TM9Y100C16MP11	21.0	CF/CM/CU36C	1	1025	29.0	24.0	17.00	24.05	29.0	—	—	—	4.46	—
YZT36B21S	TM9Y100C16MP11	21.0	CF/CM/CU36C	2	1275	34.4	28.6	—	13.00	35.6	21.8	9.50	8.30	3.60	2.68
YZT36B21S	TM9Y100C16MP11	21.0	CF/CM/CU42C	1	1025	29.4	24.0	17.00	24.55	28.0	—	—	—	4.22	—
YZT36B21S	TM9Y100C16MP11	21.0	CF/CM/CU42C	2	1275	34.6	28.8	—	13.00	35.4	21.8	9.50	8.30	3.88	2.68
YZT36B21S	TM9Y100C16MP11	21.0	CF/CM/CU48C	1	1025	30.4	24.6	18.00	25.55	24.4	—	—	—	3.72	—
YZT36B21S	TM9Y100C16MP11	21.0	CF/CM/CU48C	2	1275	35.6	29.2	—	13.00	35.8	21.8	9.60	8.15	3.88	2.68
YZT36B21S	TM9Y100C16MP11	21.0	CF/CM/CU48D	1	1050	29.4	24.4	18.00	24.85	24.2	—	—	—	3.94	—
YZT36B21S	TM9Y100C16MP11	21.0	CF/CM/CU48D	2	1300	36.0	29.8	—	13.00	35.6	21.8	9.60	8.25	4.06	2.68
YZT36B21S	TM9Y100C16MP11	21.0	CF/CM/CU60C	1	1025	30.4	24.4	18.00	25.65	24.2	—	—	—	3.94	—
YZT36B21S	TM9Y100C16MP11	21.0	CF/CM/CU60C	2	1275	36.0	29.4	—	14.00	35.6	22.4	10.00	8.65	4.06	2.82
YZT36B21S	TM9Y100C16MP11	21.0	CF/CM/CU60D	1	1050	30.4	24.8	18.00	25.70	24.2	—	—	—	4.10	—
YZT36B21S	TM9Y100C16MP11	21.0	CF/CM/CU60D	2	1300	35.6	29.6	—	13.00	35.2	22.4	10.00	8.70	4.24	2.82
YZT36B21S	TM9Y100C16MP11	21.0	XAF/XAUC48F	1	1000	29.0	21.0	17.00	23.55	24.4	—	—	—	3.46	—
YZT36B21S	TM9Y100C16MP11	21.0	XAF/XAUC48F	2	1250	34.2	22.8	—	13.00	34.6	22.4	8.55	6.85	3.64	2.42
YZT36B21S	TM9Y100C16MP11	21.0	XAF/XAUC60G	1	675	28.2	18.6	17.50	24.55	23.4	—	—	—	3.06	—
YZT36B21S	TM9Y100C16MP11	21.0	XAF/XAUC60G	2	1250	34.8	23.6	—	13.00	34.2	21.6	8.20	6.40	3.60	2.38
YZT36B21S	TM9Y100C16MP11	24.5	XAF/XAUD60G	1	1000	30.2	22.2	17.50	24.40	24.2	—	—	—	3.48	—
YZT36B21S	TM9Y100C16MP11	24.5	XAF/XAUD60G	2	1275	35.0	23.6	—	13.00	34.2	21.6	8.55	6.85	3.62	2.40
YZT36B21S	TM9Y100C16MP11	21.0	XAFC36D	1	975	29.6	21.8	17.00	23.75	24.4	—	—	—	3.38	—
YZT36B21S	TM9Y100C16MP11	21.0	XAFC36D	2	1225	34.0	23.2	—	12.50	34.2	22.4	8.55	6.95	3.48	2.34
YZT36B21S	TM9Y100C16MP11	24.5	XAFD48F	1	1000	29.0	21.0	17.00	23.55	24.4	—	—	—	3.46	—
YZT36B21S	TM9Y100C16MP11	24.5	XAFD48F	2	1250	34.2	22.8	—	13.00	34.6	22.4	8.55	6.85	3.66	2.42
YZT36B21S	TM9Y100C16MP11	21.0	XAHC48F	1	675	27.6	18.1	17.50	24.10	23.8	—	—	—	3.06	—
YZT36B21S	TM9Y100C16MP11	21.0	XAHC48F	2	1125	33.6	23.2	—	13.00	34.2	21.8	8.20	6.45	3.54	2.36
YZT36B21S	TM9Y100C16MP11	21.0	XAHC60G	1	725	28.4	19.2	17.50	25.00	23.6	—	—	—	3.16	—
YZT36B21S	TM9Y100C16MP11	21.0	XAHC60G	2	1425	35.0	24.0	—	12.50	34.8	22.6	8.55	6.80	3.66	2.46
YZT36B21S	TM9Y100C16MP11	24.5	XAHD48F	1	1000	29.4	21.4	17.00	23.60	24.8	—	—	—	3.52	—
YZT36B21S	TM9Y100C16MP11	24.5	XAHD48F	2	1250	34.0	23.2	—	12.50	34.6	21.8	8.55	6.65	3.58	2.36
YZT36B21S	TM9Y100C16MP11	21.0	XAHD60G	1	1000	30.0	22.2	17.00	24.05	24.2	—	—	—	3.50	—
YZT36B21S	TM9Y100C16MP11	21.0	XAHD60G	2	1250	34.4	23.6	—	12.50	34.2	22.2	8.55	6.80	3.58	2.44
YZT36B21S	TM9Y120D20MP11	24.5	CF/CM/CU42D	1	1000	29.6	23.8	18.00	25.40	27.8	—	—	—	4.30	—

**SYSTEM CAPACITY — With High Efficiency Motor Furnaces<sup>1</sup> (Continued)**

UNIT MODEL	FURNACE MODEL	WIDTH	COIL MODEL <sup>2</sup>	Stage	COOLING					HEATING					
					RATED CFM	NET MBH		SEER	EER	NET MBH		HSPF IV	HSPF V	COP	
						TOTAL	SENS.			47°F OD	17°F OD			47°F OD	17°F OD
YZT36B21S	TM9Y120D20MP11	24.5	CF/CM/CU42D	2	1250	34.6	28.6	—	13.00	35.2	21.8	9.60	8.35	3.96	2.68
YZT36B21S	TM9Y120D20MP11	24.5	CF/CM/CU48D	1	1000	30.4	24.4	18.00	26.45	24.4	—	—	—	3.80	—
YZT36B21S	TM9Y120D20MP11	24.5	CF/CM/CU48D	2	1250	36.0	29.0	—	14.00	35.6	21.8	9.50	8.20	3.92	2.68
YZT36B21S	TM9Y120D20MP11	24.5	CF/CM/CU60D	1	1000	30.2	24.2	18.00	26.45	24.0	—	—	—	4.14	—
YZT36B21S	TM9Y120D20MP11	24.5	CF/CM/CU60D	2	1250	36.0	29.2	—	14.00	35.0	22.4	10.00	8.75	4.32	2.82
YZT36B21S	TM9Y120D20MP11	24.5	XAF/XAUD60G	1	1000	30.4	22.4	18.00	25.15	24.2	—	—	—	3.52	—
YZT36B21S	TM9Y120D20MP11	24.5	XAF/XAUD60G	2	1225	35.0	23.8	—	13.50	33.8	21.4	8.55	6.80	3.66	2.42
YZT36B21S	TM9Y120D20MP11	24.5	XAFD48F	1	975	29.0	20.8	17.50	24.15	24.2	—	—	—	3.44	—
YZT36B21S	TM9Y120D20MP11	24.5	XAFD48F	2	1225	34.4	23.0	—	13.50	34.4	22.2	8.55	6.70	3.70	2.46
YZT36B21S	TM9Y120D20MP11	24.5	XAHD48F	1	975	29.4	21.2	17.50	24.20	24.8	—	—	—	3.50	—
YZT36B21S	TM9Y120D20MP11	24.5	XAHD48F	2	1225	34.2	23.6	—	13.00	34.2	21.6	8.55	6.85	3.62	2.40
YZT36B21S	TM9Y120D20MP11	21.0	XAHD60G	1	975	29.8	21.8	17.50	24.60	24.0	—	—	—	3.48	—
YZT36B21S	TM9Y120D20MP11	21.0	XAHD60G	2	1200	34.4	23.6	—	13.00	33.8	21.8	8.55	6.85	3.62	2.46
YZT36B21S	TMLE040A12MP11	17.5	XAF/XAUB36D	1	800	28.2	19.5	17.00	23.85	24.0	—	—	—	3.14	—
YZT36B21S	TMLE040A12MP11	17.5	XAF/XAUB36D	2	1175	33.8	23.2	—	12.50	34.2	22.4	8.20	6.55	3.44	2.32
YZT36B21S	TMLE060A12MP11	17.5	XAF/XAUB36D	1	900	29.0	20.8	16.50	23.60	24.2	—	—	—	3.26	—
YZT36B21S	TMLE060A12MP11	17.5	XAF/XAUB36D	2	1200	33.8	23.0	—	12.50	34.4	22.4	8.20	6.50	3.44	2.32
YZT36B21S	TMLE080B12MP11	17.5	XAF/XAUB36D	1	775	28.0	19.2	17.00	23.75	24.0	—	—	—	3.10	—
YZT36B21S	TMLE080B12MP11	17.5	XAF/XAUB36D	2	1200	33.6	22.8	—	12.50	34.4	22.6	8.20	6.65	3.42	2.32
YZT36B21S	TMLE080B12MP11	21.0	XAF/XAUC48F	1	925	28.6	20.2	16.50	23.20	24.2	—	—	—	3.34	—
YZT36B21S	TMLE080B12MP11	21.0	XAF/XAUC48F	2	1225	34.0	22.6	—	12.50	34.8	22.6	8.55	6.85	3.60	2.38
YZT36B21S	TMLE080B12MP11	21.0	XAF/XAUC60G	1	800	29.0	20.0	17.50	24.40	23.8	—	—	—	3.20	—
YZT36B21S	TMLE080B12MP11	21.0	XAF/XAUC60G	2	1050	34.0	23.0	—	13.00	33.8	21.2	8.20	6.35	3.52	2.36
YZT36B21S	TMLE080B12MP11	21.0	XAFC36D	1	775	28.0	19.2	17.00	23.80	24.0	—	—	—	3.10	—
YZT36B21S	TMLE080B12MP11	21.0	XAFC36D	2	1200	33.6	22.8	—	12.50	34.4	22.4	8.20	6.65	3.42	2.32
YZT36B21S	TMLE080B12MP11	21.0	XAHC48F	1	825	28.4	19.6	17.00	24.00	24.4	—	—	—	3.26	—
YZT36B21S	TMLE080B12MP11	21.0	XAHC48F	2	1225	33.8	23.2	—	12.50	34.6	22.0	8.50	6.70	3.52	2.34
YZT36B21S	TMLE080B12MP11	21.0	XAHC60G	1	850	29.0	20.4	17.50	24.55	23.8	—	—	—	3.28	—
YZT36B21S	TMLE080B12MP11	21.0	XAHC60G	2	1250	34.4	23.6	—	12.50	34.4	22.2	8.55	6.85	3.56	2.42
YZT36B21S	TMLE080C16MP11	21.0	XAF/XAUC48F	1	975	29.0	20.8	17.00	23.85	24.2	—	—	—	3.44	—
YZT36B21S	TMLE080C16MP11	21.0	XAF/XAUC48F	2	1250	34.4	23.0	—	13.00	34.4	22.2	8.55	6.80	3.68	2.44
YZT36B21S	TMLE080C16MP11	21.0	XAF/XAUC60G	1	1000	30.4	22.4	17.50	24.90	24.2	—	—	—	3.52	—
YZT36B21S	TMLE080C16MP11	21.0	XAF/XAUC60G	2	1275	35.0	23.6	—	13.00	34.0	21.6	8.55	6.80	3.66	2.42
YZT36B21S	TMLE080C16MP11	24.5	XAF/XAUD60G	1	1000	30.4	22.4	17.50	24.85	24.2	—	—	—	3.52	—
YZT36B21S	TMLE080C16MP11	24.5	XAF/XAUD60G	2	1275	35.0	23.6	—	13.00	34.0	21.6	8.55	6.80	3.66	2.42
YZT36B21S	TMLE080C16MP11	21.0	XAFC36D	1	950	29.4	21.4	17.00	24.05	24.4	—	—	—	3.34	—
YZT36B21S	TMLE080C16MP11	21.0	XAFC36D	2	1225	34.0	23.2	—	13.00	34.0	22.2	8.55	6.95	3.50	2.36



SYSTEM CAPACITY — With High Efficiency Motor Furnaces<sup>1</sup> (Continued)

UNIT MODEL	FURNACE MODEL	WIDTH	COIL MODEL <sup>2</sup>	Stage	COOLING					HEATING					
					RATED CFM	NET MBH		SEER	EER	NET MBH		HSPF IV	HSPF V	COP	
						TOTAL	SENS.			47°F OD	17°F OD			47°F OD	17°F OD
YZT36B21S	TMLE080C16MP11	24.5	XAFD48F	1	975	29.0	20.8	17.00	23.85	24.2	—	—	—	3.44	—
YZT36B21S	TMLE080C16MP11	24.5	XAFD48F	2	1275	34.4	23.0	—	13.00	34.4	22.2	8.55	6.80	3.70	2.44
YZT36B21S	TMLE080C16MP11	21.0	XAHC36D	1	950	29.2	21.0	16.50	23.25	24.2	—	—	—	3.30	—
YZT36B21S	TMLE080C16MP11	21.0	XAHC36D	2	1225	34.4	23.2	—	12.50	34.0	21.8	8.20	6.60	3.46	2.24
YZT36B21S	TMLE080C16MP11	21.0	XAHC48F	1	1000	29.4	21.4	17.50	24.15	24.8	—	—	—	3.56	—
YZT36B21S	TMLE080C16MP11	21.0	XAHC48F	2	1275	34.2	23.4	—	13.00	34.4	21.6	8.55	6.85	3.62	2.38
YZT36B21S	TMLE080C16MP11	21.0	XAHC60G	1	875	29.2	20.8	17.50	24.70	23.8	—	—	—	3.34	—
YZT36B21S	TMLE080C16MP11	21.0	XAHC60G	2	1100	34.2	23.6	—	13.00	33.6	21.6	8.55	6.80	3.56	2.44
YZT36B21S	TMLE080C16MP11	24.5	XAHD48F	1	975	29.2	21.0	17.50	23.90	24.8	—	—	—	3.50	—
YZT36B21S	TMLE080C16MP11	24.5	XAHD48F	2	1250	34.2	23.4	—	13.00	34.4	21.8	8.55	6.65	3.60	2.38
YZT36B21S	TMLE080C16MP11	21.0	XAHD60G	1	975	29.8	21.8	17.50	24.30	24.0	—	—	—	3.46	—
YZT36B21S	TMLE080C16MP11	21.0	XAHD60G	2	1250	34.6	23.8	—	13.00	34.0	22.0	8.55	6.85	3.62	2.46
YZT36B21S	TMLE100B12MP11	17.5	XAF/XAUB36D	1	750	28.0	19.0	17.00	23.75	23.8	—	—	—	3.06	—
YZT36B21S	TMLE100B12MP11	17.5	XAF/XAUB36D	2	1200	33.8	23.0	—	12.50	34.2	22.4	8.20	6.65	3.44	2.32
YZT36B21S	TMLE100B12MP11	21.0	XAF/XAUC48F	1	950	28.8	20.6	17.00	23.40	24.2	—	—	—	3.38	—
YZT36B21S	TMLE100B12MP11	21.0	XAF/XAUC48F	2	1225	34.0	22.6	—	12.50	34.6	22.4	8.55	6.75	3.60	2.40
YZT36B21S	TMLE100B12MP11	21.0	XAF/XAUC60G	1	950	30.0	21.8	17.00	24.25	24.2	—	—	—	3.40	—
YZT36B21S	TMLE100B12MP11	21.0	XAF/XAUC60G	2	1250	34.8	23.6	—	13.00	34.2	21.6	8.55	6.75	3.58	2.38
YZT36B21S	TMLE100B12MP11	21.0	XAFC36D	1	850	28.6	20.2	17.00	23.70	24.2	—	—	—	3.20	—
YZT36B21S	TMLE100B12MP11	21.0	XAFC36D	2	1200	33.8	23.0	—	12.50	34.2	22.4	8.20	6.50	3.44	2.32
YZT36B21S	TMLE100B12MP11	21.0	XAHC48F	1	775	28.2	19.2	17.00	23.90	24.2	—	—	—	3.18	—
YZT36B21S	TMLE100B12MP11	21.0	XAHC48F	2	1075	33.4	23.0	—	13.00	34.2	21.8	8.20	6.45	3.50	2.34
YZT36B21S	TMLE100B12MP11	21.0	XAHC60G	1	925	29.6	21.4	17.50	24.60	24.0	—	—	—	3.40	—
YZT36B21S	TMLE100B12MP11	21.0	XAHC60G	2	1250	34.4	23.6	—	12.50	34.2	22.2	8.55	6.95	3.58	2.44
YZT36B21S	TMLE100C16MP11	21.0	XAF/XAUC48F	1	975	29.0	20.8	17.00	23.90	24.2	—	—	—	3.44	—
YZT36B21S	TMLE100C16MP11	21.0	XAF/XAUC48F	2	1275	34.4	23.0	—	13.00	34.6	22.4	8.55	6.80	3.68	2.44
YZT36B21S	TMLE100C16MP11	21.0	XAF/XAUC60G	1	1000	30.4	22.4	17.50	24.95	24.2	—	—	—	3.52	—
YZT36B21S	TMLE100C16MP11	21.0	XAF/XAUC60G	2	1300	35.2	23.8	—	13.00	34.0	21.6	8.55	6.80	3.66	2.42
YZT36B21S	TMLE100C16MP11	24.5	XAF/XAUD60G	1	975	30.2	22.0	17.50	24.75	24.2	—	—	—	3.48	—
YZT36B21S	TMLE100C16MP11	24.5	XAF/XAUD60G	2	1300	35.2	23.8	—	13.00	34.0	21.6	8.55	6.80	3.66	2.42
YZT36B21S	TMLE100C16MP11	21.0	XAFC36D	1	925	29.2	21.2	17.00	23.90	24.4	—	—	—	3.30	—
YZT36B21S	TMLE100C16MP11	21.0	XAFC36D	2	1075	33.6	23.0	—	13.00	33.8	22.0	8.20	6.45	3.46	2.34
YZT36B21S	TMLE100C16MP11	24.5	XAFD48F	1	975	29.0	20.8	17.00	23.95	24.2	—	—	—	3.44	—
YZT36B21S	TMLE100C16MP11	24.5	XAFD48F	2	1300	34.6	23.2	—	13.00	34.6	22.4	8.55	6.70	3.72	2.44
YZT36B21S	TMLE100C16MP11	21.0	XAHC36D	1	925	29.0	20.8	16.50	23.15	24.0	—	—	—	3.26	—
YZT36B21S	TMLE100C16MP11	21.0	XAHC36D	2	1250	34.6	23.4	—	12.50	34.2	22.0	8.20	6.60	3.46	2.24
YZT36B21S	TMLE100C16MP11	21.0	XAHC48F	1	850	28.6	19.9	17.50	24.25	24.4	—	—	—	3.32	—

**SYSTEM CAPACITY — With High Efficiency Motor Furnaces<sup>1</sup> (Continued)**

UNIT MODEL	FURNACE MODEL	WIDTH	COIL MODEL <sup>2</sup>	Stage	COOLING					HEATING					
					RATED CFM	NET MBH		SEER	EER	NET MBH		HSPF IV	HSPF V	COP	
						TOTAL	SENS.			47°F OD	17°F OD			47°F OD	17°F OD
YZT36B21S	TMLE100C16MP11	21.0	XAHC48F	2	1300	34.4	23.6	—	13.00	34.4	21.6	8.55	6.75	3.64	2.40
YZT36B21S	TMLE100C16MP11	21.0	XAHC60G	1	900	29.4	21.0	18.00	25.05	23.8	—	—	—	3.40	—
YZT36B21S	TMLE100C16MP11	21.0	XAHC60G	2	1325	35.0	24.0	—	13.00	34.2	22.2	8.55	6.75	3.68	2.48
YZT36B21S	TMLE100C16MP11	24.5	XAHD48F	1	975	29.4	21.2	17.50	24.00	24.8	—	—	—	3.50	—
YZT36B21S	TMLE100C16MP11	24.5	XAHD48F	2	1275	34.2	23.4	—	13.00	34.4	21.8	8.55	6.65	3.62	2.38
YZT36B21S	TMLE100C16MP11	21.0	XAHD60G	1	975	29.8	21.8	17.50	24.40	24.0	—	—	—	3.48	—
YZT36B21S	TMLE100C16MP11	21.0	XAHD60G	2	1275	34.6	23.8	—	13.00	34.2	22.2	8.55	6.75	3.64	2.46
YZT36B21S	TMLE120C16MP11	21.0	XAF/XAUC48F	1	975	29.0	20.8	17.00	23.90	24.2	—	—	—	3.44	—
YZT36B21S	TMLE120C16MP11	21.0	XAF/XAUC48F	2	1275	34.4	23.0	—	13.00	34.6	22.4	8.55	6.80	3.70	2.44
YZT36B21S	TMLE120C16MP11	21.0	XAF/XAUC60G	1	875	29.6	21.0	17.50	25.05	23.8	—	—	—	3.34	—
YZT36B21S	TMLE120C16MP11	21.0	XAF/XAUC60G	2	1300	35.2	23.8	—	13.00	34.0	21.6	8.55	6.70	3.66	2.42
YZT36B21S	TMLE120C16MP11	24.5	XAF/XAUD60G	1	850	29.4	20.6	17.50	24.80	23.8	—	—	—	3.30	—
YZT36B21S	TMLE120C16MP11	24.5	XAF/XAUD60G	2	1300	35.2	23.8	—	13.00	34.0	21.6	8.55	6.70	3.68	2.42
YZT36B21S	TMLE120C16MP11	21.0	XAFC36D	1	950	29.4	21.4	17.00	24.15	24.4	—	—	—	3.36	—
YZT36B21S	TMLE120C16MP11	21.0	XAFC36D	2	1250	34.2	23.4	—	13.00	34.2	22.2	8.55	6.90	3.52	2.36
YZT36B21S	TMLE120C16MP11	24.5	XAFD48F	1	975	29.0	20.8	17.00	23.95	24.2	—	—	—	3.44	—
YZT36B21S	TMLE120C16MP11	24.5	XAFD48F	2	1300	34.6	23.2	—	13.00	34.6	22.4	8.55	6.70	3.72	2.44
YZT36B21S	TMLE120C16MP11	21.0	XAHC36D	1	950	29.2	21.0	16.50	23.35	24.2	—	—	—	3.30	—
YZT36B21S	TMLE120C16MP11	21.0	XAHC36D	2	1250	34.6	23.4	—	12.50	34.2	22.0	8.20	6.50	3.46	2.24
YZT36B21S	TMLE120C16MP11	21.0	XAHC48F	1	875	28.8	20.2	17.50	24.40	24.4	—	—	—	3.36	—
YZT36B21S	TMLE120C16MP11	21.0	XAHC48F	2	1300	34.4	23.6	—	13.00	34.4	21.6	8.55	6.75	3.64	2.40
YZT36B21S	TMLE120C16MP11	21.0	XAHC60G	1	900	29.4	21.0	18.00	25.05	23.8	—	—	—	3.40	—
YZT36B21S	TMLE120C16MP11	21.0	XAHC60G	2	1325	35.0	24.0	—	13.00	34.2	22.0	8.55	6.80	3.70	2.48
YZT36B21S	TMLE120C16MP11	24.5	XAHD48F	1	975	29.4	21.2	17.50	24.00	24.8	—	—	—	3.50	—
YZT36B21S	TMLE120C16MP11	24.5	XAHD48F	2	1300	34.4	23.6	—	13.00	34.4	21.6	8.55	6.85	3.64	2.40
YZT36B21S	TMLE120C16MP11	21.0	XAHD60G	1	975	29.8	21.8	17.50	24.40	24.0	—	—	—	3.48	—
YZT36B21S	TMLE120C16MP11	21.0	XAHD60G	2	1300	34.8	24.0	—	13.00	34.2	22.2	8.55	6.75	3.66	2.48
YZT36B21S	TMLV060A12MP12C	14.5	CF/CM/CU36B	1	675	27.4	19.1	17.00	24.30	28.6	—	—	—	4.02	—
YZT36B21S	TMLV060A12MP12C	14.5	CF/CM/CU36B	2	975	34.0	25.0	—	13.00	35.2	21.8	9.50	8.25	3.74	2.68
YZT36B21S	TMLV060A12MP12C	14.5	CF42B	1	675	27.4	19.0	17.00	24.50	28.4	—	—	—	3.50	—
YZT36B21S	TMLV060A12MP12C	14.5	CF42B	2	975	33.2	24.8	—	13.00	35.2	21.8	9.25	8.15	3.68	2.68
YZT36B21S	TMLV060A12MP12C	17.5	XAF/XAUB36D	1	850	28.6	20.2	16.50	23.55	24.2	—	—	—	3.20	—
YZT36B21S	TMLV060A12MP12C	17.5	XAF/XAUB36D	2	1275	33.8	23.0	—	12.00	34.4	22.6	8.20	6.50	3.44	2.32
YZT36B21S	TMLV080B12MP12C	17.5	CF/CM/CU36C	1	675	27.2	19.0	17.00	24.00	28.6	—	—	—	4.00	—
YZT36B21S	TMLV080B12MP12C	17.5	CF/CM/CU36C	2	1000	34.4	25.4	—	13.00	35.4	21.8	9.00	8.25	3.74	2.68
YZT36B21S	TMLV080B12MP12C	17.5	CF/CM/CU42C	1	675	27.6	19.1	17.00	24.45	28.6	—	—	—	3.42	—
YZT36B21S	TMLV080B12MP12C	17.5	CF/CM/CU42C	2	1000	33.4	25.0	—	13.00	35.4	21.8	9.00	8.10	3.62	2.68

SYSTEM CAPACITY — With High Efficiency Motor Furnaces<sup>1</sup> (Continued)

UNIT MODEL	FURNACE MODEL	WIDTH	COIL MODEL <sup>2</sup>	Stage	COOLING					HEATING					
					RATED CFM	NET MBH		SEER	EER	NET MBH		HSPF IV	HSPF V	COP	
						TOTAL	SENS.			47°F OD	17°F OD			47°F OD	17°F OD
YZT36B21S	TMLV080B12MP12C	17.5	CF/CM/CU48C	1	675	28.2	19.4	17.00	25.30	24.4	—	—	—	3.30	—
YZT36B21S	TMLV080B12MP12C	17.5	CF/CM/CU48C	2	1000	35.0	25.8	—	13.00	35.8	21.8	9.00	8.05	3.80	2.68
YZT36B21S	TMLV080B12MP12C	17.5	CF/CM/CU60C	1	800	29.8	21.6	18.00	25.80	24.6	—	—	—	3.42	—
YZT36B21S	TMLV080B12MP12C	17.5	CF/CM/CU60C	2	1200	35.2	28.0	—	13.00	36.0	22.4	9.60	8.40	3.72	2.82
YZT36B21S	TMLV080C16MP12C	21.0	CF/CM/CU36C	1	700	27.4	19.4	17.00	24.65	28.4	—	—	—	4.46	—
YZT36B21S	TMLV080C16MP12C	21.0	CF/CM/CU36C	2	1050	34.6	26.2	—	13.00	34.8	21.8	9.50	8.40	4.08	2.68
YZT36B21S	TMLV080C16MP12C	21.0	CF/CM/CU42C	1	650	27.6	18.8	17.00	24.45	28.6	—	—	—	3.30	—
YZT36B21S	TMLV080C16MP12C	21.0	CF/CM/CU42C	2	950	33.8	24.8	—	13.00	35.4	21.8	9.00	8.05	3.58	2.68
YZT36B21S	TMLV080C16MP12C	21.0	CF/CM/CU42D	1	700	28.6	19.8	17.00	25.65	28.8	—	—	—	3.24	—
YZT36B21S	TMLV080C16MP12C	21.0	CF/CM/CU42D	2	1050	34.0	26.0	—	13.00	35.6	21.8	9.00	8.05	3.54	2.68
YZT36B21S	TMLV080C16MP12C	21.0	CF/CM/CU48C	1	650	28.2	19.1	18.00	25.80	24.4	—	—	—	3.24	—
YZT36B21S	TMLV080C16MP12C	21.0	CF/CM/CU48C	2	950	34.8	25.2	—	14.00	35.6	21.8	9.00	8.05	3.82	2.68
YZT36B21S	TMLV080C16MP12C	21.0	CF/CM/CU48D	1	700	28.8	20.0	18.00	26.15	24.4	—	—	—	3.40	—
YZT36B21S	TMLV080C16MP12C	21.0	CF/CM/CU48D	2	1050	35.4	26.6	—	14.00	35.6	21.8	9.50	8.10	3.88	2.68
YZT36B21S	TMLV080C16MP12C	21.0	CF/CM/CU60C	1	800	29.6	21.4	18.00	26.50	24.0	—	—	—	3.80	—
YZT36B21S	TMLV080C16MP12C	21.0	CF/CM/CU60C	2	1150	35.6	28.0	—	14.00	35.2	22.4	10.00	8.60	4.16	2.82
YZT36B21S	TMLV080C16MP12C	21.0	CF/CM/CU60D	1	800	29.6	21.4	18.00	26.60	24.0	—	—	—	3.80	—
YZT36B21S	TMLV080C16MP12C	21.0	CF/CM/CU60D	2	1150	35.8	28.0	—	14.00	35.2	22.4	10.00	8.65	4.18	2.82
YZT36B21S	TMLV100C16MP12C	21.0	CF/CM/CU36C	1	700	27.4	19.4	17.00	24.65	28.4	—	—	—	4.46	—
YZT36B21S	TMLV100C16MP12C	21.0	CF/CM/CU36C	2	1050	34.6	26.2	—	13.00	34.8	21.8	9.50	8.40	4.08	2.68
YZT36B21S	TMLV100C16MP12C	21.0	CF/CM/CU42C	1	650	27.6	18.8	17.00	24.45	28.6	—	—	—	3.30	—
YZT36B21S	TMLV100C16MP12C	21.0	CF/CM/CU42C	2	950	33.8	24.8	—	13.00	35.4	21.8	9.00	8.05	3.58	2.68
YZT36B21S	TMLV100C16MP12C	21.0	CF/CM/CU42D	1	700	28.6	19.8	17.00	25.65	28.8	—	—	—	3.24	—
YZT36B21S	TMLV100C16MP12C	21.0	CF/CM/CU42D	2	1050	34.0	26.0	—	13.00	35.6	21.8	9.00	8.05	3.54	2.68
YZT36B21S	TMLV100C16MP12C	21.0	CF/CM/CU48C	1	650	28.2	19.1	18.00	25.80	24.4	—	—	—	3.24	—
YZT36B21S	TMLV100C16MP12C	21.0	CF/CM/CU48C	2	950	34.8	25.2	—	14.00	35.6	21.8	9.00	8.05	3.82	2.68
YZT36B21S	TMLV100C16MP12C	21.0	CF/CM/CU48D	1	700	28.8	20.0	18.00	26.15	24.4	—	—	—	3.40	—
YZT36B21S	TMLV100C16MP12C	21.0	CF/CM/CU48D	2	1050	35.4	26.6	—	14.00	35.6	21.8	9.50	8.10	3.88	2.68
YZT36B21S	TMLV100C16MP12C	21.0	CF/CM/CU60C	1	800	29.6	21.4	18.00	26.50	24.0	—	—	—	3.80	—
YZT36B21S	TMLV100C16MP12C	21.0	CF/CM/CU60C	2	1150	35.6	28.0	—	14.00	35.2	22.4	10.00	8.60	4.16	2.82
YZT36B21S	TMLV100C16MP12C	21.0	CF/CM/CU60D	1	800	29.6	21.4	18.00	26.60	24.0	—	—	—	3.80	—
YZT36B21S	TMLV100C16MP12C	21.0	CF/CM/CU60D	2	1150	35.8	28.0	—	14.00	35.2	22.4	10.00	8.65	4.18	2.82
YZT36B21S	TMLV100C16MP12C	21.0	XAF/XAUC48F	1	850	28.4	19.7	17.00	23.85	24.0	—	—	—	3.28	—
YZT36B21S	TMLV100C16MP12C	21.0	XAF/XAUC48F	2	1275	34.4	23.0	—	13.00	34.6	22.4	8.55	6.95	3.68	2.44
YZT36B21S	TMLV100C16MP12C	21.0	XAF/XAUC60G	1	850	29.4	20.6	17.50	24.75	23.8	—	—	—	3.30	—
YZT36B21S	TMLV100C16MP12C	21.0	XAF/XAUC60G	2	1275	35.0	23.6	—	13.00	34.0	21.6	8.55	6.80	3.66	2.42
YZT36B21S	TMLV100C16MP12C	24.5	XAF/XAUD60G	1	850	29.4	20.6	17.50	24.65	23.8	—	—	—	3.30	—

**SYSTEM CAPACITY — With High Efficiency Motor Furnaces<sup>1</sup> (Continued)**

UNIT MODEL	FURNACE MODEL	WIDTH	COIL MODEL <sup>2</sup>	Stage	COOLING					HEATING					
					RATED CFM	NET MBH		SEER	EER	NET MBH		HSPF IV	HSPF V	COP	
						TOTAL	SENS.			47°F OD	17°F OD			47°F OD	17°F OD
YZT36B21S	TMLV100C16MP12C	24.5	XAF/XAUD60G	2	1275	35.0	23.6	—	13.00	34.0	21.6	8.55	6.70	3.66	2.42
YZT36B21S	TMLV100C16MP12C	21.0	XAFC36D	1	975	29.6	21.8	17.00	24.00	24.4	—	—	—	3.40	—
YZT36B21S	TMLV100C16MP12C	21.0	XAFC36D	2	1425	34.4	23.4	—	12.00	34.6	22.8	8.55	6.75	3.56	2.38
YZT36B21S	TMLV100C16MP12C	24.5	XAFD48F	1	850	28.4	19.7	17.00	23.85	24.0	—	—	—	3.28	—
YZT36B21S	TMLV100C16MP12C	24.5	XAFD48F	2	1275	34.4	23.0	—	13.00	34.6	22.4	8.55	6.95	3.70	2.44
YZT36B21S	TMLV100C16MP12C	21.0	XAHC36D	1	900	28.8	20.4	16.00	23.20	23.8	—	—	—	3.22	—
YZT36B21S	TMLV100C16MP12C	21.0	XAHC36D	2	1425	34.8	23.2	—	12.00	34.8	22.4	8.20	6.55	3.50	2.28
YZT36B21S	TMLV100C16MP12C	21.0	XAHC48F	1	900	28.8	20.4	17.50	24.20	24.4	—	—	—	3.40	—
YZT36B21S	TMLV100C16MP12C	21.0	XAHC48F	2	1425	34.6	23.6	—	12.50	34.8	21.8	8.55	6.65	3.66	2.40
YZT36B21S	TMLV100C16MP12C	21.0	XAHC60G	1	850	29.0	20.4	17.50	24.80	23.8	—	—	—	3.32	—
YZT36B21S	TMLV100C16MP12C	21.0	XAHC60G	2	1275	34.8	24.0	—	13.00	34.0	22.0	8.55	6.90	3.66	2.48
YZT36B21S	TMLV100C16MP12C	24.5	XAHD48F	1	975	29.2	21.0	17.00	23.80	24.8	—	—	—	3.50	—
YZT36B21S	TMLV100C16MP12C	24.5	XAHD48F	2	1425	34.6	23.6	—	12.50	34.8	21.8	8.55	6.85	3.66	2.40
YZT36B21S	TMLV100C16MP12C	21.0	XAHD60G	1	850	29.0	20.4	17.00	24.25	23.8	—	—	—	3.30	—
YZT36B21S	TMLV100C16MP12C	21.0	XAHD60G	2	1275	34.6	23.8	—	12.50	34.2	22.2	8.55	6.90	3.64	2.46
YZT36B21S	TMLV100C20MP12C	21.0	CF/CM/CU36C	1	800	28.0	20.8	17.00	25.10	28.6	—	—	—	4.72	—
YZT36B21S	TMLV100C20MP12C	21.0	CF/CM/CU36C	2	1150	35.0	27.6	—	13.00	35.0	21.8	9.50	8.45	4.20	2.68
YZT36B21S	TMLV100C20MP12C	21.0	CF/CM/CU42C	1	800	28.8	21.2	18.00	25.65	28.2	—	—	—	3.76	—
YZT36B21S	TMLV100C20MP12C	21.0	CF/CM/CU42C	2	1150	34.4	27.4	—	13.00	35.4	21.8	9.50	8.20	3.86	2.68
YZT36B21S	TMLV100C20MP12C	21.0	CF/CM/CU42D	1	800	28.8	21.2	18.00	25.70	28.2	—	—	—	3.76	—
YZT36B21S	TMLV100C20MP12C	21.0	CF/CM/CU42D	2	1150	34.4	27.4	—	13.00	35.4	21.8	9.50	8.20	3.88	2.68
YZT36B21S	TMLV100C20MP12C	21.0	CF/CM/CU48C	1	800	29.4	21.4	18.00	26.65	24.2	—	—	—	3.54	—
YZT36B21S	TMLV100C20MP12C	21.0	CF/CM/CU48C	2	1150	35.8	27.8	—	14.00	35.6	21.8	9.00	8.15	3.94	2.68
YZT36B21S	TMLV100C20MP12C	21.0	CF/CM/CU48D	1	800	29.4	21.4	18.00	26.70	24.2	—	—	—	3.56	—
YZT36B21S	TMLV100C20MP12C	21.0	CF/CM/CU48D	2	1150	35.8	27.8	—	14.00	35.6	21.8	9.50	8.15	3.94	2.68
YZT36B21S	TMLV100C20MP12C	21.0	CF/CM/CU60C	1	800	29.6	21.4	18.00	26.85	24.0	—	—	—	3.82	—
YZT36B21S	TMLV100C20MP12C	21.0	CF/CM/CU60C	2	1150	35.8	28.0	—	14.00	35.0	22.4	10.00	8.65	4.20	2.82
YZT36B21S	TMLV100C20MP12C	21.0	CF/CM/CU60D	1	800	29.6	21.6	18.00	26.90	24.0	—	—	—	3.82	—
YZT36B21S	TMLV100C20MP12C	21.0	CF/CM/CU60D	2	1150	35.8	28.2	—	14.00	35.0	22.4	10.00	8.65	4.22	2.82
YZT36B21S	TMLV120C20MP12C	21.0	CF/CM/CU36C	1	800	28.0	20.8	17.00	25.10	28.6	—	—	—	4.72	—
YZT36B21S	TMLV120C20MP12C	21.0	CF/CM/CU36C	2	1150	35.0	27.6	—	13.00	35.0	21.8	9.50	8.45	4.20	2.68
YZT36B21S	TMLV120C20MP12C	21.0	CF/CM/CU42C	1	800	28.8	21.2	18.00	25.65	28.2	—	—	—	3.76	—
YZT36B21S	TMLV120C20MP12C	21.0	CF/CM/CU42C	2	1150	34.4	27.4	—	13.00	35.4	21.8	9.50	8.20	3.86	2.68
YZT36B21S	TMLV120C20MP12C	21.0	CF/CM/CU42D	1	800	28.8	21.2	18.00	25.70	28.2	—	—	—	3.76	—
YZT36B21S	TMLV120C20MP12C	21.0	CF/CM/CU42D	2	1150	34.4	27.4	—	13.00	35.4	21.8	9.50	8.20	3.88	2.68
YZT36B21S	TMLV120C20MP12C	21.0	CF/CM/CU48C	1	800	29.4	21.4	18.00	26.65	24.2	—	—	—	3.54	—
YZT36B21S	TMLV120C20MP12C	21.0	CF/CM/CU48C	2	1150	35.8	27.8	—	14.00	35.6	21.8	9.00	8.15	3.94	2.68

SYSTEM CAPACITY — With High Efficiency Motor Furnaces<sup>1</sup> (Continued)

UNIT MODEL	FURNACE MODEL	WIDTH	COIL MODEL <sup>2</sup>	Stage	COOLING					HEATING					
					RATED CFM	NET MBH		SEER	EER	NET MBH		HSPF IV	HSPF V	COP	
						TOTAL	SENS.			47°F OD	17°F OD			47°F OD	17°F OD
YZT36B21S	TMLV120C20MP12C	21.0	CF/CM/CU48D	1	800	29.4	21.4	18.00	26.70	24.2	—	—	—	3.56	—
YZT36B21S	TMLV120C20MP12C	21.0	CF/CM/CU48D	2	1150	35.8	27.8	—	14.00	35.6	21.8	9.50	8.15	3.94	2.68
YZT36B21S	TMLV120C20MP12C	21.0	CF/CM/CU60C	1	800	29.6	21.4	18.00	26.85	24.0	—	—	—	3.82	—
YZT36B21S	TMLV120C20MP12C	21.0	CF/CM/CU60C	2	1150	35.8	28.0	—	14.00	35.0	22.4	10.00	8.65	4.20	2.82
YZT36B21S	TMLV120C20MP12C	21.0	CF/CM/CU60D	1	800	29.6	21.6	18.00	26.90	24.0	—	—	—	3.82	—
YZT36B21S	TMLV120C20MP12C	21.0	CF/CM/CU60D	2	1150	35.8	28.2	—	14.00	35.0	22.4	10.00	8.65	4.22	2.82
YZT36B21S	TMLV120C20MP12C	21.0	XAF/XAUC60G	1	925	30.0	21.6	18.00	25.30	24.0	—	—	—	3.44	—
YZT36B21S	TMLV120C20MP12C	21.0	XAF/XAUC60G	2	1375	35.4	23.8	—	13.00	34.0	21.6	8.55	6.75	3.74	2.46
YZT36B21S	TMLV120C20MP12C	21.0	XAHC48F	1	925	29.2	20.8	17.50	24.65	24.4	—	—	—	3.46	—
YZT36B21S	TMLV120C20MP12C	21.0	XAHC48F	2	1375	34.6	23.6	—	13.00	34.4	21.6	8.55	6.80	3.70	2.42
YZT36B21S	TMLV120C20MP12C	21.0	XAHC60G	1	900	29.4	21.0	18.00	25.25	23.8	—	—	—	3.42	—
YZT36B21S	TMLV120C20MP12C	21.0	XAHC60G	2	1325	35.0	24.0	—	13.00	34.0	22.0	8.75	7.10	3.74	2.50
YZT36B21S	TMLX060A12MP11	14.5	CF/CM/CU36B	1	950	28.6	22.8	16.00	23.15	29.0	—	—	—	4.38	—
YZT36B21S	TMLX060A12MP11	14.5	CF/CM/CU36B	2	1125	34.8	27.0	—	13.00	35.6	21.8	9.00	8.30	3.68	2.68
YZT36B21S	TMLX060A12MP11	14.5	CF/CM36A	1	925	28.4	22.4	16.00	22.80	29.2	—	—	—	4.38	—
YZT36B21S	TMLX060A12MP11	14.5	CF/CM36A	2	1075	34.6	26.2	—	13.00	35.6	21.8	9.00	8.30	3.66	2.68
YZT36B21S	TMLX060A12MP11	14.5	CF42B	1	950	30.0	23.4	17.00	23.65	29.2	—	—	—	3.26	—
YZT36B21S	TMLX060A12MP11	14.5	CF42B	2	1125	34.4	27.0	—	13.00	36.0	21.8	8.75	8.00	3.30	2.68
YZT36B21S	TMLX080B12MP11	17.5	CF/CM/CU36B	1	1000	28.8	23.6	16.00	23.25	29.0	—	—	—	4.40	—
YZT36B21S	TMLX080B12MP11	17.5	CF/CM/CU36B	2	1175	34.2	27.4	—	13.00	35.6	21.8	9.00	8.30	3.68	2.68
YZT36B21S	TMLX080B12MP11	17.5	CF/CM/CU36C	1	1025	28.8	23.8	16.00	23.55	28.8	—	—	—	4.68	—
YZT36B21S	TMLX080B12MP11	17.5	CF/CM/CU36C	2	1200	35.2	28.0	—	13.00	35.6	21.8	9.00	8.35	3.86	2.68
YZT36B21S	TMLX080B12MP11	17.5	CF/CM/CU42C	1	1025	29.4	24.0	17.00	24.00	28.6	—	—	—	3.84	—
YZT36B21S	TMLX080B12MP11	17.5	CF/CM/CU42C	2	1200	34.2	27.8	—	13.00	36.0	21.8	9.00	8.15	3.56	2.68
YZT36B21S	TMLX080B12MP11	17.5	CF/CM/CU48C	1	1025	30.0	24.4	17.00	24.75	24.6	—	—	—	3.64	—
YZT36B21S	TMLX080B12MP11	17.5	CF/CM/CU48C	2	1200	36.0	28.4	—	13.00	36.0	21.8	9.00	8.10	3.74	2.68
YZT36B21S	TMLX080B12MP11	17.5	CF/CM/CU60C	1	1025	30.8	24.6	18.00	25.25	24.6	—	—	—	3.68	—
YZT36B21S	TMLX080B12MP11	17.5	CF/CM/CU60C	2	1200	35.6	28.4	—	13.00	36.0	22.4	9.60	8.50	3.82	2.82
YZT36B21S	TMLX080B12MP11	17.5	CF42B	1	1000	29.8	23.8	17.00	23.85	28.2	—	—	—	4.10	—
YZT36B21S	TMLX080B12MP11	17.5	CF42B	2	1150	34.0	27.0	—	13.00	35.8	21.8	9.00	8.25	3.74	2.68
YZT36B21S	TMLX080C16MP11	21.0	CF/CM/CU36C	1	1000	28.0	23.2	17.00	23.70	28.6	—	—	—	5.06	—
YZT36B21S	TMLX080C16MP11	21.0	CF/CM/CU36C	2	1150	35.0	27.4	—	13.00	35.0	21.8	9.50	8.45	4.16	2.68
YZT36B21S	TMLX080C16MP11	21.0	CF/CM/CU42C	1	1000	30.0	24.0	17.00	25.05	28.0	—	—	—	4.18	—
YZT36B21S	TMLX080C16MP11	21.0	CF/CM/CU42C	2	1150	34.4	27.4	—	13.00	35.4	21.8	9.50	8.30	3.84	2.68
YZT36B21S	TMLX080C16MP11	21.0	CF/CM/CU42D	1	1000	30.2	24.2	17.00	25.15	28.8	—	—	—	3.54	—
YZT36B21S	TMLX080C16MP11	21.0	CF/CM/CU42D	2	1175	35.0	27.8	—	13.00	35.8	21.8	9.00	8.10	3.38	2.68
YZT36B21S	TMLX080C16MP11	21.0	CF/CM/CU48C	1	1000	30.0	24.2	18.00	25.65	24.4	—	—	—	3.84	—

**SYSTEM CAPACITY — With High Efficiency Motor Furnaces<sup>1</sup> (Continued)**

UNIT MODEL	FURNACE MODEL	WIDTH	COIL MODEL <sup>2</sup>	Stage	COOLING					HEATING					
					RATED CFM	NET MBH		SEER	EER	NET MBH		HSPF IV	HSPF V	COP	
						TOTAL	SENS.			47°F OD	17°F OD			47°F OD	17°F OD
YZT36B21S	TMLX080C16MP11	21.0	CF/CM/CU48C	2	1150	35.8	28.0	—	14.00	35.6	21.8	9.60	8.20	3.90	2.68
YZT36B21S	TMLX080C16MP11	21.0	CF/CM/CU48D	1	1000	30.0	24.2	18.00	25.70	24.4	—	—	—	3.84	—
YZT36B21S	TMLX080C16MP11	21.0	CF/CM/CU48D	2	1150	35.8	28.0	—	14.00	35.6	21.8	9.60	8.20	3.90	2.68
YZT36B21S	TMLX080C16MP11	21.0	CF/CM/CU60C	1	1000	30.4	24.2	18.00	25.95	24.2	—	—	—	4.02	—
YZT36B21S	TMLX080C16MP11	21.0	CF/CM/CU60C	2	1150	35.8	28.0	—	14.00	35.2	22.4	10.00	8.70	4.16	2.82
YZT36B21S	TMLX080C16MP11	21.0	CF/CM/CU60D	1	1000	31.4	24.6	19.00	26.80	24.6	—	—	—	3.34	—
YZT36B21S	TMLX080C16MP11	21.0	CF/CM/CU60D	2	1175	36.0	28.2	—	14.00	36.0	22.4	9.60	8.40	3.64	2.82
YZT36B21S	TMLX100C16MP11	21.0	CF/CM/CU36C	1	1000	28.0	23.2	17.00	23.70	28.6	—	—	—	5.06	—
YZT36B21S	TMLX100C16MP11	21.0	CF/CM/CU36C	2	1150	35.0	27.4	—	13.00	35.0	21.8	9.50	8.45	4.16	2.68
YZT36B21S	TMLX100C16MP11	21.0	CF/CM/CU42C	1	1000	30.0	24.0	17.00	25.05	28.0	—	—	—	4.18	—
YZT36B21S	TMLX100C16MP11	21.0	CF/CM/CU42C	2	1150	34.4	27.4	—	13.00	35.4	21.8	9.50	8.30	3.84	2.68
YZT36B21S	TMLX100C16MP11	21.0	CF/CM/CU42D	1	1000	30.2	24.2	17.00	25.15	28.8	—	—	—	3.54	—
YZT36B21S	TMLX100C16MP11	21.0	CF/CM/CU42D	2	1175	35.0	27.8	—	13.00	35.8	21.8	9.00	8.10	3.38	2.68
YZT36B21S	TMLX100C16MP11	21.0	CF/CM/CU48C	1	1000	30.0	24.2	18.00	25.65	24.4	—	—	—	3.84	—
YZT36B21S	TMLX100C16MP11	21.0	CF/CM/CU48C	2	1150	35.8	28.0	—	14.00	35.6	21.8	9.60	8.20	3.90	2.68
YZT36B21S	TMLX100C16MP11	21.0	CF/CM/CU48D	1	1000	30.0	24.2	18.00	25.70	24.4	—	—	—	3.84	—
YZT36B21S	TMLX100C16MP11	21.0	CF/CM/CU48D	2	1150	35.8	28.0	—	14.00	35.6	21.8	9.60	8.20	3.90	2.68
YZT36B21S	TMLX100C16MP11	21.0	CF/CM/CU60C	1	1000	30.4	24.2	18.00	25.95	24.2	—	—	—	4.02	—
YZT36B21S	TMLX100C16MP11	21.0	CF/CM/CU60C	2	1150	35.8	28.0	—	14.00	35.2	22.4	10.00	8.70	4.16	2.82
YZT36B21S	TMLX100C16MP11	21.0	CF/CM/CU60D	1	1000	31.4	24.6	19.00	26.80	24.6	—	—	—	3.34	—
YZT36B21S	TMLX100C16MP11	21.0	CF/CM/CU60D	2	1175	36.0	28.2	—	14.00	36.0	22.4	9.60	8.40	3.64	2.82
YZT36B21S	TMLX100C20MP11	21.0	CF/CM/CU36C	1	1025	29.0	24.0	17.00	24.60	28.8	—	—	—	4.50	—
YZT36B21S	TMLX100C20MP11	21.0	CF/CM/CU36C	2	1225	34.8	28.4	—	13.00	35.4	21.8	9.50	8.35	3.80	2.68
YZT36B21S	TMLX100C20MP11	21.0	CF/CM/CU42C	1	1025	29.8	24.2	18.00	25.35	28.0	—	—	—	4.24	—
YZT36B21S	TMLX100C20MP11	21.0	CF/CM/CU42C	2	1225	34.6	28.2	—	13.00	35.4	21.8	9.60	8.30	3.94	2.68
YZT36B21S	TMLX100C20MP11	21.0	CF/CM/CU42D	1	1050	29.8	24.6	18.00	25.50	27.8	—	—	—	4.36	—
YZT36B21S	TMLX100C20MP11	21.0	CF/CM/CU42D	2	1250	34.6	28.6	—	13.00	35.0	21.8	9.60	8.35	3.98	2.68
YZT36B21S	TMLX100C20MP11	21.0	CF/CM/CU48C	1	1050	30.4	25.0	18.00	26.05	24.4	—	—	—	3.80	—
YZT36B21S	TMLX100C20MP11	21.0	CF/CM/CU48C	2	1225	36.0	28.8	—	14.00	35.8	21.8	9.50	8.20	3.88	2.68
YZT36B21S	TMLX100C20MP11	21.0	CF/CM/CU48D	1	1050	30.4	25.0	18.00	26.10	24.4	—	—	—	3.82	—
YZT36B21S	TMLX100C20MP11	21.0	CF/CM/CU48D	2	1250	36.0	29.0	—	14.00	35.6	21.8	9.50	8.20	3.94	2.68
YZT36B21S	TMLX100C20MP11	21.0	CF/CM/CU60C	1	1025	30.6	24.6	18.00	26.30	24.2	—	—	—	4.10	—
YZT36B21S	TMLX100C20MP11	21.0	CF/CM/CU60C	2	1225	36.0	29.0	—	14.00	35.0	22.4	10.00	8.70	4.20	2.82
YZT36B21S	TMLX100C20MP11	21.0	CF/CM/CU60D	1	1050	30.6	24.8	18.00	26.40	24.0	—	—	—	4.16	—
YZT36B21S	TMLX100C20MP11	21.0	CF/CM/CU60D	2	1250	36.0	29.2	—	14.00	34.8	22.4	10.00	8.75	4.34	2.82
YZT36B21S	TMLX120C20MP11	21.0	CF/CM/CU36C	1	1025	29.0	24.0	17.00	24.60	28.8	—	—	—	4.50	—
YZT36B21S	TMLX120C20MP11	21.0	CF/CM/CU36C	2	1225	34.8	28.4	—	13.00	35.4	21.8	9.50	8.35	3.80	2.68

**SYSTEM CAPACITY — With High Efficiency Motor Furnaces<sup>1</sup> (Continued)**

UNIT MODEL	FURNACE MODEL	WIDTH	COIL MODEL <sup>2</sup>	Stage	COOLING					HEATING					
					RATED CFM	NET MBH		SEER	EER	NET MBH		HSPF IV	HSPF V	COP	
						TOTAL	SENS.			47°F OD	17°F OD			47°F OD	17°F OD
YZT36B21S	TMLX120C20MP11	21.0	CF/CM/CU42C	1	1025	29.8	24.2	18.00	25.35	28.0	—	—	—	4.24	—
YZT36B21S	TMLX120C20MP11	21.0	CF/CM/CU42C	2	1225	34.6	28.2	—	13.00	35.4	21.8	9.60	8.30	3.94	2.68
YZT36B21S	TMLX120C20MP11	21.0	CF/CM/CU42D	1	1050	29.8	24.6	18.00	25.50	27.8	—	—	—	4.36	—
YZT36B21S	TMLX120C20MP11	21.0	CF/CM/CU42D	2	1250	34.6	28.6	—	13.00	35.0	21.8	9.60	8.35	3.98	2.68
YZT36B21S	TMLX120C20MP11	21.0	CF/CM/CU48C	1	1050	30.4	25.0	18.00	26.05	24.4	—	—	—	3.80	—
YZT36B21S	TMLX120C20MP11	21.0	CF/CM/CU48C	2	1225	36.0	28.8	—	14.00	35.8	21.8	9.50	8.20	3.88	2.68
YZT36B21S	TMLX120C20MP11	21.0	CF/CM/CU48D	1	1050	30.4	25.0	18.00	26.10	24.4	—	—	—	3.82	—
YZT36B21S	TMLX120C20MP11	21.0	CF/CM/CU48D	2	1250	36.0	29.0	—	14.00	35.6	21.8	9.50	8.20	3.94	2.68
YZT36B21S	TMLX120C20MP11	21.0	CF/CM/CU60C	1	1025	30.6	24.6	18.00	26.30	24.2	—	—	—	4.10	—
YZT36B21S	TMLX120C20MP11	21.0	CF/CM/CU60C	2	1225	36.0	29.0	—	14.00	35.0	22.4	10.00	8.70	4.20	2.82
YZT36B21S	TMLX120C20MP11	21.0	CF/CM/CU60D	1	1050	30.6	24.8	18.00	26.40	24.0	—	—	—	4.16	—
YZT36B21S	TMLX120C20MP11	21.0	CF/CM/CU60D	2	1250	36.0	29.2	—	14.00	34.8	22.4	10.00	8.75	4.34	2.82
YZT36B21S	TP9C060B12MP13C	17.5	CF/CM/CU36B	1	650	27.0	18.6	17.00	23.95	28.8	—	—	—	3.98	—
YZT36B21S	TP9C060B12MP13C	17.5	CF/CM/CU36B	2	1000	34.4	25.4	—	13.00	35.6	21.8	9.00	8.25	3.72	2.68
YZT36B21S	TP9C060B12MP13C	17.5	CF/CM/CU36C	1	650	27.0	18.6	17.00	24.15	28.6	—	—	—	4.00	—
YZT36B21S	TP9C060B12MP13C	17.5	CF/CM/CU36C	2	1000	34.4	25.4	—	13.00	35.4	21.8	9.00	8.25	3.76	2.68
YZT36B21S	TP9C060B12MP13C	17.5	CF/CM/CU42C	1	650	28.0	19.0	17.00	24.45	28.6	—	—	—	3.40	—
YZT36B21S	TP9C060B12MP13C	17.5	CF/CM/CU42C	2	1000	33.4	25.0	—	13.00	35.4	21.8	9.00	8.10	3.62	2.68
YZT36B21S	TP9C060B12MP13C	17.5	CF/CM/CU48C	1	650	28.2	19.1	17.00	25.45	24.4	—	—	—	3.22	—
YZT36B21S	TP9C060B12MP13C	17.5	CF/CM/CU48C	2	1000	35.0	25.8	—	13.00	35.8	21.8	9.00	8.05	3.80	2.68
YZT36B21S	TP9C060B12MP13C	17.5	CF/CM/CU60C	1	750	29.2	20.6	17.00	25.70	24.2	—	—	—	3.66	—
YZT36B21S	TP9C060B12MP13C	17.5	CF/CM/CU60C	2	1225	35.4	28.4	—	13.00	35.8	22.4	9.50	8.55	3.96	2.82
YZT36B21S	TP9C060B12MP13C	17.5	CF42B	1	650	28.0	19.0	17.00	24.20	28.6	—	—	—	3.38	—
YZT36B21S	TP9C060B12MP13C	17.5	CF42B	2	1000	33.4	25.0	—	13.00	35.6	21.8	9.00	8.10	3.60	2.68
YZT36B21S	TP9C060B12MP13C	21.0	XAF/XAUC48F	1	650	27.2	17.7	16.50	23.00	23.6	—	—	—	3.00	—
YZT36B21S	TP9C060B12MP13C	21.0	XAF/XAUC48F	2	1000	33.2	22.2	—	12.50	34.4	22.4	8.20	6.60	3.50	2.36
YZT36B21S	TP9C060B12MP13C	21.0	XAF/XAUC60G	1	700	28.2	18.7	17.00	23.85	23.6	—	—	—	3.08	—
YZT36B21S	TP9C060B12MP13C	21.0	XAF/XAUC60G	2	1100	34.0	22.8	—	12.50	34.2	21.6	8.20	6.60	3.50	2.34
YZT36B21S	TP9C060B12MP13C	21.0	XAHC48F	1	700	27.6	18.3	17.00	23.40	24.0	—	—	—	3.08	—
YZT36B21S	TP9C060B12MP13C	21.0	XAHC48F	2	1100	33.2	22.8	—	12.50	34.4	22.0	8.20	6.60	3.46	2.32
YZT36B21S	TP9C060B12MP13C	21.0	XAHC60G	1	675	27.8	18.4	17.00	23.80	23.6	—	—	—	3.06	—
YZT36B21S	TP9C060B12MP13C	21.0	XAHC60G	2	1100	33.8	23.2	—	12.50	34.0	22.0	8.20	6.60	3.48	2.40
YZT36B21S	TP9C080B12MP13C	17.5	CF/CM/CU36B	1	675	27.4	19.1	17.00	24.30	28.6	—	—	—	4.02	—
YZT36B21S	TP9C080B12MP13C	17.5	CF/CM/CU36B	2	975	34.2	25.2	—	13.00	35.2	21.8	9.50	8.25	3.74	2.68
YZT36B21S	TP9C080B12MP13C	17.5	CF/CM/CU42C	1	675	28.2	19.3	17.00	24.90	28.6	—	—	—	3.30	—
YZT36B21S	TP9C080B12MP13C	17.5	CF/CM/CU42C	2	950	33.8	24.8	—	13.00	35.6	21.8	9.00	8.05	3.54	2.68
YZT36B21S	TP9C080B12MP13C	17.5	CF/CM/CU48C	1	650	28.2	19.1	17.00	25.55	24.4	—	—	—	3.24	—

**SYSTEM CAPACITY — With High Efficiency Motor Furnaces<sup>1</sup> (Continued)**

UNIT MODEL	FURNACE MODEL	WIDTH	COIL MODEL <sup>2</sup>	Stage	COOLING					HEATING					
					RATED CFM	NET MBH		SEER	EER	NET MBH		HSPF IV	HSPF V	COP	
						TOTAL	SENS.			47°F OD	17°F OD			47°F OD	17°F OD
YZT36B21S	TP9C080B12MP13C	17.5	CF/CM/CU48C	2	950	34.8	25.2	—	13.00	35.8	21.8	9.00	8.05	3.80	2.68
YZT36B21S	TP9C080B12MP13C	17.5	CF/CM/CU60C	1	825	29.4	21.8	18.00	25.90	24.0	—	—	—	3.90	—
YZT36B21S	TP9C080B12MP13C	17.5	CF/CM/CU60C	2	1250	35.4	28.8	—	13.00	35.4	22.4	9.50	8.65	4.14	2.82
YZT36B21S	TP9C080B12MP13C	17.5	CF42B	1	675	27.4	19.0	17.00	24.50	28.4	—	—	—	3.50	—
YZT36B21S	TP9C080B12MP13C	17.5	CF42B	2	975	33.2	24.8	—	13.00	35.2	21.8	9.00	8.15	3.68	2.68
YZT36B21S	TP9C080B12MP13C	17.5	XAF/XAUB36D	1	825	28.4	19.8	16.50	23.35	24.0	—	—	—	3.16	—
YZT36B21S	TP9C080B12MP13C	17.5	XAF/XAUB36D	2	1250	33.6	22.8	—	12.00	34.4	22.6	8.20	6.60	3.42	2.32
YZT36B21S	TP9C080B12MP13C	21.0	XAF/XAUC48F	1	825	28.2	19.4	16.50	23.30	24.0	—	—	—	3.22	—
YZT36B21S	TP9C080B12MP13C	21.0	XAF/XAUC48F	2	1250	34.0	22.6	—	12.50	34.8	22.6	8.55	6.90	3.60	2.38
YZT36B21S	TP9C080B12MP13C	21.0	XAF/XAUC60G	1	775	28.8	19.7	17.00	24.25	23.8	—	—	—	3.18	—
YZT36B21S	TP9C080B12MP13C	21.0	XAF/XAUC60G	2	1175	34.4	23.2	—	13.00	34.0	21.6	8.20	6.60	3.56	2.38
YZT36B21S	TP9C080B12MP13C	21.0	XAFC36D	1	825	28.4	19.8	16.50	23.45	24.0	—	—	—	3.16	—
YZT36B21S	TP9C080B12MP13C	21.0	XAFC36D	2	1250	33.8	23.0	—	12.00	34.4	22.6	8.20	6.60	3.44	2.32
YZT36B21S	TP9C080B12MP13C	21.0	XAHC48F	1	825	28.4	19.6	17.00	23.70	24.2	—	—	—	3.26	—
YZT36B21S	TP9C080B12MP13C	21.0	XAHC48F	2	1250	33.8	23.0	—	12.00	34.6	22.0	8.50	6.90	3.54	2.34
YZT36B21S	TP9C080B12MP13C	21.0	XAHC60G	1	800	28.6	19.8	17.00	24.25	23.8	—	—	—	3.24	—
YZT36B21S	TP9C080B12MP13C	21.0	XAHC60G	2	1250	34.4	23.6	—	12.50	34.2	22.2	8.55	6.85	3.56	2.42
YZT36B21S	TP9C080C16MP13C	21.0	CF/CM/CU36C	1	675	26.8	18.8	17.00	23.95	28.6	—	—	—	3.92	—
YZT36B21S	TP9C080C16MP13C	21.0	CF/CM/CU36C	2	1025	33.8	25.6	—	13.00	35.2	21.8	9.50	8.25	3.70	2.68
YZT36B21S	TP9C080C16MP13C	21.0	CF/CM/CU42C	1	625	27.8	18.7	17.00	24.40	28.6	—	—	—	3.28	—
YZT36B21S	TP9C080C16MP13C	21.0	CF/CM/CU42C	2	950	33.8	24.8	—	13.00	35.4	21.8	9.00	8.05	3.56	2.68
YZT36B21S	TP9C080C16MP13C	21.0	CF/CM/CU42D	1	625	27.8	18.7	17.00	24.40	28.6	—	—	—	3.28	—
YZT36B21S	TP9C080C16MP13C	21.0	CF/CM/CU42D	2	950	33.8	24.8	—	13.00	35.4	21.8	9.00	8.05	3.56	2.68
YZT36B21S	TP9C080C16MP13C	21.0	CF/CM/CU48C	1	700	28.6	20.0	18.00	25.85	24.4	—	—	—	3.40	—
YZT36B21S	TP9C080C16MP13C	21.0	CF/CM/CU48C	2	1025	35.2	26.2	—	14.00	35.6	21.8	9.50	8.10	3.88	2.68
YZT36B21S	TP9C080C16MP13C	21.0	CF/CM/CU48D	1	700	28.6	20.0	18.00	25.85	24.4	—	—	—	3.40	—
YZT36B21S	TP9C080C16MP13C	21.0	CF/CM/CU48D	2	1025	35.2	26.2	—	14.00	35.6	21.8	9.50	8.10	3.88	2.68
YZT36B21S	TP9C080C16MP13C	21.0	CF/CM/CU60C	1	800	29.6	21.4	18.00	26.25	24.2	—	—	—	3.78	—
YZT36B21S	TP9C080C16MP13C	21.0	CF/CM/CU60C	2	1225	35.8	28.8	—	13.00	35.4	22.4	10.00	8.60	4.10	2.82
YZT36B21S	TP9C080C16MP13C	21.0	CF/CM/CU60D	1	800	29.6	21.4	18.00	26.35	24.0	—	—	—	3.78	—
YZT36B21S	TP9C080C16MP13C	21.0	CF/CM/CU60D	2	1225	35.8	28.8	—	14.00	35.4	22.4	10.00	8.60	4.12	2.82
YZT36B21S	TP9C080C16MP13C	21.0	XAF/XAUC48F	1	875	28.4	19.8	17.00	23.50	24.0	—	—	—	3.30	—
YZT36B21S	TP9C080C16MP13C	21.0	XAF/XAUC48F	2	1300	34.4	23.0	—	12.50	34.8	22.4	8.55	6.95	3.66	2.42
YZT36B21S	TP9C080C16MP13C	21.0	XAF/XAUC60G	1	875	29.4	20.8	17.50	24.45	24.0	—	—	—	3.32	—
YZT36B21S	TP9C080C16MP13C	21.0	XAF/XAUC60G	2	1300	35.0	23.6	—	13.00	34.2	21.8	8.55	6.75	3.62	2.40
YZT36B21S	TP9C080C16MP13C	24.5	XAF/XAUD60G	1	875	29.4	20.8	17.00	24.30	24.0	—	—	—	3.32	—
YZT36B21S	TP9C080C16MP13C	24.5	XAF/XAUD60G	2	1300	35.0	23.6	—	13.00	34.2	21.6	8.55	6.80	3.64	2.40



SYSTEM CAPACITY — With High Efficiency Motor Furnaces<sup>1</sup> (Continued)

UNIT MODEL	FURNACE MODEL	WIDTH	COIL MODEL <sup>2</sup>	Stage	COOLING					HEATING					
					RATED CFM	NET MBH		SEER	EER	NET MBH		HSPF IV	HSPF V	COP	
						TOTAL	SENS.			47°F OD	17°F OD			47°F OD	17°F OD
YZT36B21S	TP9C080C16MP13C	21.0	XAFC36D	1	900	29.0	20.8	16.50	23.65	24.2	—	—	—	3.28	—
YZT36B21S	TP9C080C16MP13C	21.0	XAFC36D	2	1375	34.2	23.2	—	12.00	34.6	22.8	8.55	6.95	3.50	2.36
YZT36B21S	TP9C080C16MP13C	24.5	XAFD48F	1	875	28.4	19.8	17.00	23.50	24.0	—	—	—	3.30	—
YZT36B21S	TP9C080C16MP13C	24.5	XAFD48F	2	1300	34.4	23.0	—	12.50	34.6	22.4	8.55	6.95	3.68	2.42
YZT36B21S	TP9C080C16MP13C	21.0	XAHC36D	1	900	28.8	20.4	16.00	22.80	24.0	—	—	—	3.20	—
YZT36B21S	TP9C080C16MP13C	21.0	XAHC36D	2	1375	34.6	23.2	—	12.00	34.8	22.4	8.20	6.60	3.44	2.24
YZT36B21S	TP9C080C16MP13C	21.0	XAHC48F	1	875	28.6	20.0	17.00	23.80	24.4	—	—	—	3.36	—
YZT36B21S	TP9C080C16MP13C	21.0	XAHC48F	2	1300	34.2	23.4	—	12.50	34.6	21.8	8.50	6.75	3.60	2.38
YZT36B21S	TP9C080C16MP13C	21.0	XAHC60G	1	875	29.2	20.8	17.50	24.50	23.8	—	—	—	3.34	—
YZT36B21S	TP9C080C16MP13C	21.0	XAHC60G	2	1300	34.6	23.8	—	12.50	34.2	22.2	8.55	6.90	3.64	2.46
YZT36B21S	TP9C080C16MP13C	24.5	XAHD48F	1	875	28.6	20.0	17.00	23.55	24.4	—	—	—	3.34	—
YZT36B21S	TP9C080C16MP13C	24.5	XAHD48F	2	1300	34.2	23.4	—	12.50	34.6	21.8	8.55	6.80	3.60	2.36
YZT36B21S	TP9C080C16MP13C	21.0	XAHD60G	1	875	29.2	20.8	17.00	23.90	24.0	—	—	—	3.32	—
YZT36B21S	TP9C080C16MP13C	21.0	XAHD60G	2	1300	34.6	23.8	—	12.50	34.4	22.2	8.55	7.00	3.62	2.44
YZT36B21S	TP9C100C16MP13C	21.0	CF/CM/CU36C	1	700	27.6	19.4	17.00	24.80	28.6	—	—	—	4.16	—
YZT36B21S	TP9C100C16MP13C	21.0	CF/CM/CU36C	2	1000	34.8	25.8	—	13.00	35.2	21.8	9.50	8.30	3.84	2.68
YZT36B21S	TP9C100C16MP13C	21.0	CF/CM/CU42C	1	700	27.8	19.4	17.00	25.20	28.4	—	—	—	3.58	—
YZT36B21S	TP9C100C16MP13C	21.0	CF/CM/CU42C	2	1000	33.8	25.4	—	13.00	35.2	21.8	9.00	8.15	3.72	2.68
YZT36B21S	TP9C100C16MP13C	21.0	CF/CM/CU42D	1	700	28.0	19.6	17.00	25.25	28.2	—	—	—	3.70	—
YZT36B21S	TP9C100C16MP13C	21.0	CF/CM/CU42D	2	975	33.6	25.0	—	13.00	35.0	21.8	9.50	8.20	3.74	2.68
YZT36B21S	TP9C100C16MP13C	21.0	CF/CM/CU48C	1	700	28.6	19.9	18.00	26.00	24.4	—	—	—	3.42	—
YZT36B21S	TP9C100C16MP13C	21.0	CF/CM/CU48C	2	975	35.0	25.6	—	14.00	35.4	21.8	9.50	8.10	3.88	2.68
YZT36B21S	TP9C100C16MP13C	21.0	CF/CM/CU48D	1	700	28.6	19.9	18.00	26.00	24.4	—	—	—	3.42	—
YZT36B21S	TP9C100C16MP13C	21.0	CF/CM/CU48D	2	975	35.0	25.6	—	14.00	35.4	21.8	9.50	8.10	3.90	2.68
YZT36B21S	TP9C100C16MP13C	21.0	CF/CM/CU60C	1	800	30.0	21.6	18.00	26.75	24.6	—	—	—	3.14	—
YZT36B21S	TP9C100C16MP13C	21.0	CF/CM/CU60C	2	1175	36.0	28.4	—	14.00	36.0	22.4	9.50	8.30	3.62	2.82
YZT36B21S	TP9C100C16MP13C	21.0	CF/CM/CU60D	1	800	30.0	21.6	19.00	26.90	24.6	—	—	—	3.16	—
YZT36B21S	TP9C100C16MP13C	21.0	CF/CM/CU60D	2	1175	36.0	28.2	—	14.00	36.0	22.4	9.50	8.30	3.64	2.82
YZT36B21S	TP9C100C16MP13C	21.0	XAF/XAUC48F	1	850	28.4	19.7	17.00	23.85	24.0	—	—	—	3.28	—
YZT36B21S	TP9C100C16MP13C	21.0	XAF/XAUC48F	2	1225	34.2	22.8	—	13.00	34.4	22.2	8.55	6.95	3.70	2.44
YZT36B21S	TP9C100C16MP13C	21.0	XAF/XAUC60G	1	875	29.4	20.8	17.50	24.80	23.8	—	—	—	3.34	—
YZT36B21S	TP9C100C16MP13C	21.0	XAF/XAUC60G	2	1275	35.0	23.6	—	13.00	34.0	21.4	8.55	6.70	3.68	2.42
YZT36B21S	TP9C100C16MP13C	24.5	XAF/XAUD60G	1	850	29.4	20.6	17.50	24.65	23.8	—	—	—	3.30	—
YZT36B21S	TP9C100C16MP13C	24.5	XAF/XAUD60G	2	1225	34.8	23.6	—	13.00	33.8	21.4	8.55	6.80	3.66	2.42
YZT36B21S	TP9C100C16MP13C	21.0	XAFC36D	1	925	29.2	21.2	17.00	24.10	24.2	—	—	—	3.34	—
YZT36B21S	TP9C100C16MP13C	21.0	XAFC36D	2	1325	34.4	23.4	—	12.50	34.2	22.4	8.55	6.80	3.56	2.38
YZT36B21S	TP9C100C16MP13C	24.5	XAFD48F	1	850	28.4	19.7	17.00	23.85	24.0	—	—	—	3.28	—

**SYSTEM CAPACITY — With High Efficiency Motor Furnaces<sup>1</sup> (Continued)**

UNIT MODEL	FURNACE MODEL	WIDTH	COIL MODEL <sup>2</sup>	Stage	COOLING					HEATING					
					RATED CFM	NET MBH		SEER	EER	NET MBH		HSPF IV	HSPF V	COP	
						TOTAL	SENS.			47°F OD	17°F OD			47°F OD	17°F OD
YZT36B21S	TP9C100C16MP13C	24.5	XAFD48F	2	1225	34.2	22.8	—	13.00	34.4	22.2	8.55	6.95	3.70	2.44
YZT36B21S	TP9C100C16MP13C	21.0	XAHC36D	1	925	29.0	20.8	16.50	23.15	24.0	—	—	—	3.26	—
YZT36B21S	TP9C100C16MP13C	21.0	XAHC36D	2	1325	34.6	23.2	—	12.50	34.4	22.0	8.20	6.55	3.50	2.26
YZT36B21S	TP9C100C16MP13C	21.0	XAHC48F	1	875	28.8	20.2	17.50	24.20	24.4	—	—	—	3.36	—
YZT36B21S	TP9C100C16MP13C	21.0	XAHC48F	2	1275	34.2	23.4	—	13.00	34.4	21.6	8.55	6.65	3.64	2.40
YZT36B21S	TP9C100C16MP13C	21.0	XAHC60G	1	825	29.0	20.4	17.50	24.70	23.8	—	—	—	3.28	—
YZT36B21S	TP9C100C16MP13C	21.0	XAHC60G	2	1225	34.6	23.8	—	13.00	33.8	21.8	8.55	6.90	3.64	2.48
YZT36B21S	TP9C100C16MP13C	24.5	XAHD48F	1	875	28.8	20.2	17.00	23.90	24.4	—	—	—	3.36	—
YZT36B21S	TP9C100C16MP13C	24.5	XAHD48F	2	1275	34.2	23.4	—	13.00	34.4	21.6	8.55	6.75	3.64	2.40
YZT36B21S	TP9C100C16MP13C	21.0	XAHD60G	1	850	29.0	20.4	17.00	24.20	23.8	—	—	—	3.30	—
YZT36B21S	TP9C100C16MP13C	21.0	XAHD60G	2	1225	34.4	23.6	—	13.00	34.0	22.0	8.55	6.90	3.62	2.46
YZT36B21S	TP9C100C20MP13C	21.0	CF/CM/CU36C	1	650	27.2	18.7	17.00	24.70	28.8	—	—	—	3.90	—
YZT36B21S	TP9C100C20MP13C	21.0	CF/CM/CU36C	2	1100	34.2	26.6	—	13.00	35.2	21.8	9.50	8.25	3.74	2.68
YZT36B21S	TP9C100C20MP13C	21.0	CF/CM/CU42C	1	650	28.2	19.1	18.00	25.05	29.0	—	—	—	3.02	—
YZT36B21S	TP9C100C20MP13C	21.0	CF/CM/CU42C	2	1100	34.2	26.6	—	13.00	35.8	21.8	9.00	7.95	3.42	2.68
YZT36B21S	TP9C100C20MP13C	21.0	CF/CM/CU42D	1	650	28.2	19.1	18.00	25.05	29.0	—	—	—	3.02	—
YZT36B21S	TP9C100C20MP13C	21.0	CF/CM/CU42D	2	1100	34.2	26.6	—	13.00	35.8	21.8	9.00	7.95	3.44	2.68
YZT36B21S	TP9C100C20MP13C	21.0	CF/CM/CU48C	1	650	28.2	19.1	18.00	25.95	24.4	—	—	—	3.14	—
YZT36B21S	TP9C100C20MP13C	21.0	CF/CM/CU48C	2	1100	34.6	26.8	—	13.00	35.6	21.8	9.00	8.00	3.88	2.68
YZT36B21S	TP9C100C20MP13C	21.0	CF/CM/CU48D	1	650	28.2	19.1	18.00	25.95	24.4	—	—	—	3.14	—
YZT36B21S	TP9C100C20MP13C	21.0	CF/CM/CU48D	2	1100	34.6	26.8	—	13.00	35.6	21.8	9.00	8.00	3.88	2.68
YZT36B21S	TP9C100C20MP13C	21.0	CF/CM/CU60C	1	800	29.8	21.6	19.00	26.80	24.2	—	—	—	3.72	—
YZT36B21S	TP9C100C20MP13C	21.0	CF/CM/CU60C	2	1275	36.0	29.4	—	14.00	35.4	22.4	10.00	8.55	4.08	2.82
YZT36B21S	TP9C100C20MP13C	21.0	CF/CM/CU60D	1	800	29.8	21.6	19.00	26.90	24.2	—	—	—	3.72	—
YZT36B21S	TP9C100C20MP13C	21.0	CF/CM/CU60D	2	1275	36.0	29.4	—	14.00	35.4	22.4	10.00	8.60	4.10	2.82
YZT36B21S	TP9C100C20MP13C	21.0	XAF/XAUC48F	1	800	28.0	19.1	17.00	23.90	23.8	—	—	—	3.22	—
YZT36B21S	TP9C100C20MP13C	21.0	XAF/XAUC48F	2	1275	34.4	23.0	—	13.00	34.6	22.4	8.55	6.80	3.70	2.44
YZT36B21S	TP9C100C20MP13C	21.0	XAF/XAUC60G	1	800	29.0	20.0	17.50	24.70	23.6	—	—	—	3.24	—
YZT36B21S	TP9C100C20MP13C	21.0	XAF/XAUC60G	2	1275	35.0	23.6	—	13.00	34.0	21.6	8.55	6.75	3.66	2.42
YZT36B21S	TP9C100C20MP13C	24.5	XAF/XAUD60G	1	800	29.0	20.0	17.50	24.65	23.8	—	—	—	3.24	—
YZT36B21S	TP9C100C20MP13C	24.5	XAF/XAUD60G	2	1275	35.0	23.6	—	13.00	34.0	21.4	8.55	6.80	3.66	2.42
YZT36B21S	TP9C100C20MP13C	21.0	XAFC36D	1	800	28.2	19.5	17.00	24.00	23.8	—	—	—	3.16	—
YZT36B21S	TP9C100C20MP13C	21.0	XAFC36D	2	1300	34.2	23.4	—	12.50	34.2	22.4	8.20	6.70	3.54	2.38
YZT36B21S	TP9C100C20MP13C	24.5	XAFD48F	1	800	28.0	19.1	17.00	23.90	23.8	—	—	—	3.22	—
YZT36B21S	TP9C100C20MP13C	24.5	XAFD48F	2	1275	34.4	23.0	—	13.00	34.4	22.2	8.55	6.95	3.70	2.44
YZT36B21S	TP9C100C20MP13C	21.0	XAHC48F	1	825	28.4	19.6	17.50	24.15	24.2	—	—	—	3.28	—
YZT36B21S	TP9C100C20MP13C	21.0	XAHC48F	2	1350	34.4	23.6	—	12.50	34.6	21.6	8.55	6.75	3.66	2.40

**SYSTEM CAPACITY — With High Efficiency Motor Furnaces<sup>1</sup> (Continued)**

UNIT MODEL	FURNACE MODEL	WIDTH	COIL MODEL <sup>2</sup>	Stage	COOLING					HEATING					
					RATED CFM	NET MBH		SEER	EER	NET MBH		HSPF IV	HSPF V	COP	
						TOTAL	SENS.			47°F OD	17°F OD			47°F OD	17°F OD
YZT36B21S	TP9C100C20MP13C	21.0	XAHC60G	1	800	28.8	20.0	17.50	24.85	23.6	—	—	—	3.26	—
YZT36B21S	TP9C100C20MP13C	21.0	XAHC60G	2	1275	34.8	24.0	—	13.00	34.0	22.0	8.55	6.90	3.66	2.48
YZT36B21S	TP9C100C20MP13C	24.5	XAHD48F	1	825	28.4	19.6	17.00	23.85	24.2	—	—	—	3.28	—
YZT36B21S	TP9C100C20MP13C	24.5	XAHD48F	2	1350	34.4	23.6	—	12.50	34.6	21.6	8.55	6.85	3.66	2.40
YZT36B21S	TP9C100C20MP13C	21.0	XAHD60G	1	800	28.6	19.8	17.00	24.25	23.8	—	—	—	3.24	—
YZT36B21S	TP9C100C20MP13C	21.0	XAHD60G	2	1275	34.6	23.8	—	13.00	34.2	22.0	8.55	7.00	3.64	2.46
YZT36B21S	TP9C120D20MP13C	24.5	CF/CM/CU42D	1	700	28.6	19.8	18.00	25.75	28.8	—	—	—	3.24	—
YZT36B21S	TP9C120D20MP13C	24.5	CF/CM/CU42D	2	1050	34.0	26.0	—	13.00	35.6	21.8	9.00	8.05	3.56	2.68
YZT36B21S	TP9C120D20MP13C	24.5	CF/CM/CU48D	1	700	28.8	20.0	18.00	26.30	24.4	—	—	—	3.40	—
YZT36B21S	TP9C120D20MP13C	24.5	CF/CM/CU48D	2	1050	35.4	26.6	—	14.00	35.4	21.8	9.50	8.10	3.92	2.68
YZT36B21S	TP9C120D20MP13C	24.5	CF/CM/CU60D	1	800	30.0	21.6	19.00	27.20	24.4	—	—	—	3.48	—
YZT36B21S	TP9C120D20MP13C	24.5	CF/CM/CU60D	2	1200	36.0	28.6	—	14.00	35.8	22.4	9.60	8.45	3.94	2.82
YZT36B21S	TP9C120D20MP13C	24.5	XAF/XAUD60G	1	825	29.2	20.4	17.50	24.85	23.8	—	—	—	3.28	—
YZT36B21S	TP9C120D20MP13C	24.5	XAF/XAUD60G	2	1250	35.0	23.8	—	13.50	33.8	21.4	8.55	6.70	3.70	2.44
YZT36B21S	TP9C120D20MP13C	24.5	XAFD48F	1	800	28.2	19.3	17.00	24.00	23.8	—	—	—	3.22	—
YZT36B21S	TP9C120D20MP13C	24.5	XAFD48F	2	1200	34.2	23.0	—	13.00	34.2	22.0	8.55	6.95	3.70	2.46
YZT36B21S	TP9C120D20MP13C	24.5	XAHD48F	1	900	28.8	20.4	17.50	24.20	24.4	—	—	—	3.40	—
YZT36B21S	TP9C120D20MP13C	24.5	XAHD48F	2	1400	34.8	23.8	—	13.00	34.4	21.6	8.55	6.75	3.72	2.42
YZT36B21S	TP9C120D20MP13C	21.0	XAHD60G	1	900	29.4	21.0	17.50	24.60	23.8	—	—	—	3.40	—
YZT36B21S	TP9C120D20MP13C	21.0	XAHD60G	2	1400	35.2	24.2	—	13.00	34.2	22.2	8.75	7.10	3.76	2.50
YZT36B21S	TPLC060A12MP13C	14.5	CF/CM/CU36B	1	675	27.4	19.1	17.00	24.30	28.6	—	—	—	4.02	—
YZT36B21S	TPLC060A12MP13C	14.5	CF/CM/CU36B	2	975	34.0	25.0	—	13.00	35.2	21.8	9.50	8.25	3.74	2.68
YZT36B21S	TPLC060A12MP13C	14.5	CF42B	1	675	27.4	19.0	17.00	24.50	28.4	—	—	—	3.50	—
YZT36B21S	TPLC060A12MP13C	14.5	CF42B	2	975	33.2	24.8	—	13.00	35.2	21.8	9.25	8.15	3.68	2.68
YZT36B21S	TPLC060A12MP13C	17.5	XAF/XAUB36D	1	850	28.6	20.2	16.50	23.55	24.2	—	—	—	3.20	—
YZT36B21S	TPLC060A12MP13C	17.5	XAF/XAUB36D	2	1275	33.8	23.0	—	12.00	34.4	22.6	8.20	6.50	3.44	2.32
YZT36B21S	TPLC080B12MP13C	17.5	CF/CM/CU36C	1	675	27.2	19.0	17.00	24.00	28.6	—	—	—	4.00	—
YZT36B21S	TPLC080B12MP13C	17.5	CF/CM/CU36C	2	1000	34.4	25.4	—	13.00	35.4	21.8	9.00	8.25	3.74	2.68
YZT36B21S	TPLC080B12MP13C	17.5	CF/CM/CU42C	1	675	27.6	19.1	17.00	24.45	28.6	—	—	—	3.42	—
YZT36B21S	TPLC080B12MP13C	17.5	CF/CM/CU42C	2	1000	33.4	25.0	—	13.00	35.4	21.8	9.00	8.10	3.62	2.68
YZT36B21S	TPLC080B12MP13C	17.5	CF/CM/CU48C	1	675	28.2	19.4	17.00	25.30	24.4	—	—	—	3.30	—
YZT36B21S	TPLC080B12MP13C	17.5	CF/CM/CU48C	2	1000	35.0	25.8	—	13.00	35.8	21.8	9.00	8.05	3.80	2.68
YZT36B21S	TPLC080B12MP13C	17.5	CF/CM/CU60C	1	800	29.8	21.6	18.00	25.80	24.6	—	—	—	3.42	—
YZT36B21S	TPLC080B12MP13C	17.5	CF/CM/CU60C	2	1200	35.2	28.0	—	13.00	36.0	22.4	9.60	8.40	3.72	2.82
YZT36B21S	TPLC080B12MP13C	21.0	XAF/XAUC48F	1	725	27.6	18.4	16.50	22.90	23.8	—	—	—	3.08	—
YZT36B21S	TPLC080B12MP13C	21.0	XAF/XAUC48F	2	1125	33.4	22.2	—	12.50	34.6	22.6	8.20	6.55	3.52	2.36
YZT36B21S	TPLC080B12MP13C	21.0	XAF/XAUC60G	1	800	28.8	19.8	17.00	23.70	23.8	—	—	—	3.20	—

**SYSTEM CAPACITY — With High Efficiency Motor Furnaces<sup>1</sup> (Continued)**

UNIT MODEL	FURNACE MODEL	WIDTH	COIL MODEL <sup>2</sup>	Stage	COOLING					HEATING					
					RATED CFM	NET MBH		SEER	EER	NET MBH		HSPF IV	HSPF V	COP	
						TOTAL	SENS.			47°F OD	17°F OD			47°F OD	17°F OD
YZT36B21S	TPLC080B12MP13C	21.0	XAF/XAUC60G	2	1200	34.2	23.0	—	12.00	34.4	22.0	8.20	6.55	3.48	2.32
YZT36B21S	TPLC080B12MP13C	21.0	XAHC48F	1	725	27.8	18.6	16.50	23.25	24.0	—	—	—	3.10	—
YZT36B21S	TPLC080B12MP13C	21.0	XAHC48F	2	1125	33.2	22.8	—	12.00	34.6	22.0	8.20	6.60	3.46	2.32
YZT36B21S	TPLC080B12MP13C	21.0	XAHC60G	1	725	28.2	19.0	17.00	23.80	23.6	—	—	—	3.12	—
YZT36B21S	TPLC080B12MP13C	21.0	XAHC60G	2	1100	33.6	23.0	—	12.50	34.0	22.2	8.20	6.50	3.44	2.38
YZT36B21S	TPLC080C16MP13C	21.0	CF/CM/CU36C	1	700	27.4	19.4	17.00	24.65	28.4	—	—	—	4.46	—
YZT36B21S	TPLC080C16MP13C	21.0	CF/CM/CU36C	2	1050	34.6	26.2	—	13.00	34.8	21.8	9.50	8.40	4.08	2.68
YZT36B21S	TPLC080C16MP13C	21.0	CF/CM/CU42C	1	650	27.6	18.8	17.00	24.45	28.6	—	—	—	3.30	—
YZT36B21S	TPLC080C16MP13C	21.0	CF/CM/CU42C	2	950	33.8	24.8	—	13.00	35.4	21.8	9.00	8.05	3.58	2.68
YZT36B21S	TPLC080C16MP13C	21.0	CF/CM/CU42D	1	700	28.6	19.8	17.00	25.65	28.8	—	—	—	3.24	—
YZT36B21S	TPLC080C16MP13C	21.0	CF/CM/CU42D	2	1050	34.0	26.0	—	13.00	35.6	21.8	9.00	8.05	3.54	2.68
YZT36B21S	TPLC080C16MP13C	21.0	CF/CM/CU48C	1	650	28.2	19.1	18.00	25.80	24.4	—	—	—	3.24	—
YZT36B21S	TPLC080C16MP13C	21.0	CF/CM/CU48C	2	950	34.8	25.2	—	14.00	35.6	21.8	9.00	8.05	3.82	2.68
YZT36B21S	TPLC080C16MP13C	21.0	CF/CM/CU48D	1	700	28.8	20.0	18.00	26.15	24.4	—	—	—	3.40	—
YZT36B21S	TPLC080C16MP13C	21.0	CF/CM/CU48D	2	1050	35.4	26.6	—	14.00	35.6	21.8	9.50	8.10	3.88	2.68
YZT36B21S	TPLC080C16MP13C	21.0	CF/CM/CU60C	1	800	29.6	21.4	18.00	26.50	24.0	—	—	—	3.80	—
YZT36B21S	TPLC080C16MP13C	21.0	CF/CM/CU60C	2	1150	35.6	28.0	—	14.00	35.2	22.4	10.00	8.60	4.16	2.82
YZT36B21S	TPLC080C16MP13C	21.0	CF/CM/CU60D	1	800	29.6	21.4	18.00	26.60	24.0	—	—	—	3.80	—
YZT36B21S	TPLC080C16MP13C	21.0	CF/CM/CU60D	2	1150	35.8	28.0	—	14.00	35.2	22.4	10.00	8.65	4.18	2.82
YZT36B21S	TPLC080C16MP13C	21.0	XAF/XAUC48F	1	850	28.4	19.7	17.00	23.85	24.0	—	—	—	3.28	—
YZT36B21S	TPLC080C16MP13C	21.0	XAF/XAUC48F	2	1275	34.4	23.0	—	13.00	34.6	22.4	8.55	6.95	3.68	2.44
YZT36B21S	TPLC080C16MP13C	21.0	XAF/XAUC60G	1	850	29.4	20.6	17.50	24.75	23.8	—	—	—	3.30	—
YZT36B21S	TPLC080C16MP13C	21.0	XAF/XAUC60G	2	1275	35.0	23.6	—	13.00	34.0	21.6	8.55	6.80	3.66	2.42
YZT36B21S	TPLC080C16MP13C	24.5	XAF/XAUD60G	1	850	29.4	20.6	17.50	24.65	23.8	—	—	—	3.30	—
YZT36B21S	TPLC080C16MP13C	24.5	XAF/XAUD60G	2	1275	35.0	23.6	—	13.00	34.0	21.6	8.55	6.70	3.66	2.42
YZT36B21S	TPLC080C16MP13C	21.0	XAFC36D	1	975	29.6	21.8	17.00	24.00	24.4	—	—	—	3.40	—
YZT36B21S	TPLC080C16MP13C	21.0	XAFC36D	2	1425	34.4	23.4	—	12.00	34.6	22.8	8.55	6.75	3.56	2.38
YZT36B21S	TPLC080C16MP13C	24.5	XAFD48F	1	850	28.4	19.7	17.00	23.85	24.0	—	—	—	3.28	—
YZT36B21S	TPLC080C16MP13C	24.5	XAFD48F	2	1275	34.4	23.0	—	13.00	34.6	22.4	8.55	6.95	3.70	2.44
YZT36B21S	TPLC080C16MP13C	21.0	XAHC36D	1	900	28.8	20.4	16.00	23.20	23.8	—	—	—	3.22	—
YZT36B21S	TPLC080C16MP13C	21.0	XAHC36D	2	1425	34.8	23.2	—	12.00	34.8	22.4	8.20	6.55	3.50	2.28
YZT36B21S	TPLC080C16MP13C	21.0	XAHC48F	1	900	28.8	20.4	17.50	24.20	24.4	—	—	—	3.40	—
YZT36B21S	TPLC080C16MP13C	21.0	XAHC48F	2	1425	34.6	23.6	—	12.50	34.8	21.8	8.55	6.65	3.66	2.40
YZT36B21S	TPLC080C16MP13C	21.0	XAHC60G	1	850	29.0	20.4	17.50	24.80	23.8	—	—	—	3.32	—
YZT36B21S	TPLC080C16MP13C	21.0	XAHC60G	2	1275	34.8	24.0	—	13.00	34.0	22.0	8.55	6.90	3.66	2.48
YZT36B21S	TPLC080C16MP13C	24.5	XAHD48F	1	975	29.2	21.0	17.00	23.80	24.8	—	—	—	3.50	—
YZT36B21S	TPLC080C16MP13C	24.5	XAHD48F	2	1425	34.6	23.6	—	12.50	34.8	21.8	8.55	6.85	3.66	2.40

SYSTEM CAPACITY — With High Efficiency Motor Furnaces<sup>1</sup> (Continued)

UNIT MODEL	FURNACE MODEL	WIDTH	COIL MODEL <sup>2</sup>	Stage	COOLING					HEATING					
					RATED CFM	NET MBH		SEER	EER	NET MBH		HSPF IV	HSPF V	COP	
						TOTAL	SENS.			47°F OD	17°F OD			47°F OD	17°F OD
YZT36B21S	TPLC080C16MP13C	21.0	XAHD60G	1	850	29.0	20.4	17.00	24.25	23.8	—	—	—	3.30	—
YZT36B21S	TPLC080C16MP13C	21.0	XAHD60G	2	1275	34.6	23.8	—	12.50	34.2	22.2	8.55	6.90	3.64	2.46
YZT36B21S	TPLC100C16MP13C	21.0	CF/CM/CU36C	1	700	27.4	19.4	17.00	24.65	28.4	—	—	—	4.46	—
YZT36B21S	TPLC100C16MP13C	21.0	CF/CM/CU36C	2	1050	34.6	26.2	—	13.00	34.8	21.8	9.50	8.40	4.08	2.68
YZT36B21S	TPLC100C16MP13C	21.0	CF/CM/CU42C	1	650	27.6	18.8	17.00	24.45	28.6	—	—	—	3.30	—
YZT36B21S	TPLC100C16MP13C	21.0	CF/CM/CU42C	2	950	33.8	24.8	—	13.00	35.4	21.8	9.00	8.05	3.58	2.68
YZT36B21S	TPLC100C16MP13C	21.0	CF/CM/CU42D	1	700	28.6	19.8	17.00	25.65	28.8	—	—	—	3.24	—
YZT36B21S	TPLC100C16MP13C	21.0	CF/CM/CU42D	2	1050	34.0	26.0	—	13.00	35.6	21.8	9.00	8.05	3.54	2.68
YZT36B21S	TPLC100C16MP13C	21.0	CF/CM/CU48C	1	650	28.2	19.1	18.00	25.80	24.4	—	—	—	3.24	—
YZT36B21S	TPLC100C16MP13C	21.0	CF/CM/CU48C	2	950	34.8	25.2	—	14.00	35.6	21.8	9.00	8.05	3.82	2.68
YZT36B21S	TPLC100C16MP13C	21.0	CF/CM/CU48D	1	700	28.8	20.0	18.00	26.15	24.4	—	—	—	3.40	—
YZT36B21S	TPLC100C16MP13C	21.0	CF/CM/CU48D	2	1050	35.4	26.6	—	14.00	35.6	21.8	9.50	8.10	3.88	2.68
YZT36B21S	TPLC100C16MP13C	21.0	CF/CM/CU60C	1	800	29.6	21.4	18.00	26.50	24.0	—	—	—	3.80	—
YZT36B21S	TPLC100C16MP13C	21.0	CF/CM/CU60C	2	1150	35.6	28.0	—	14.00	35.2	22.4	10.00	8.60	4.16	2.82
YZT36B21S	TPLC100C16MP13C	21.0	CF/CM/CU60D	1	800	29.6	21.4	18.00	26.60	24.0	—	—	—	3.80	—
YZT36B21S	TPLC100C16MP13C	21.0	CF/CM/CU60D	2	1150	35.8	28.0	—	14.00	35.2	22.4	10.00	8.65	4.18	2.82
YZT36B21S	TPLC100C16MP13C	21.0	XAF/XAUC48F	1	850	28.4	19.7	17.00	23.85	24.0	—	—	—	3.28	—
YZT36B21S	TPLC100C16MP13C	21.0	XAF/XAUC48F	2	1275	34.4	23.0	—	13.00	34.6	22.4	8.55	6.95	3.68	2.44
YZT36B21S	TPLC100C16MP13C	21.0	XAF/XAUC60G	1	850	29.4	20.6	17.50	24.75	23.8	—	—	—	3.30	—
YZT36B21S	TPLC100C16MP13C	21.0	XAF/XAUC60G	2	1275	35.0	23.6	—	13.00	34.0	21.6	8.55	6.80	3.66	2.42
YZT36B21S	TPLC100C16MP13C	24.5	XAF/XAUD60G	1	850	29.4	20.6	17.50	24.65	23.8	—	—	—	3.30	—
YZT36B21S	TPLC100C16MP13C	24.5	XAF/XAUD60G	2	1275	35.0	23.6	—	13.00	34.0	21.6	8.55	6.70	3.66	2.42
YZT36B21S	TPLC100C16MP13C	21.0	XAFC36D	1	975	29.6	21.8	17.00	24.00	24.4	—	—	—	3.40	—
YZT36B21S	TPLC100C16MP13C	21.0	XAFC36D	2	1425	34.4	23.4	—	12.00	34.6	22.8	8.55	6.75	3.56	2.38
YZT36B21S	TPLC100C16MP13C	24.5	XAFD48F	1	850	28.4	19.7	17.00	23.85	24.0	—	—	—	3.28	—
YZT36B21S	TPLC100C16MP13C	24.5	XAFD48F	2	1275	34.4	23.0	—	13.00	34.6	22.4	8.55	6.95	3.70	2.44
YZT36B21S	TPLC100C16MP13C	21.0	XAHC36D	1	900	28.8	20.4	16.00	23.20	23.8	—	—	—	3.22	—
YZT36B21S	TPLC100C16MP13C	21.0	XAHC36D	2	1425	34.8	23.2	—	12.00	34.8	22.4	8.20	6.55	3.50	2.28
YZT36B21S	TPLC100C16MP13C	21.0	XAHC48F	1	900	28.8	20.4	17.50	24.20	24.4	—	—	—	3.40	—
YZT36B21S	TPLC100C16MP13C	21.0	XAHC48F	2	1425	34.6	23.6	—	12.50	34.8	21.8	8.55	6.65	3.66	2.40
YZT36B21S	TPLC100C16MP13C	21.0	XAHC60G	1	850	29.0	20.4	17.50	24.80	23.8	—	—	—	3.32	—
YZT36B21S	TPLC100C16MP13C	21.0	XAHC60G	2	1275	34.8	24.0	—	13.00	34.0	22.0	8.55	6.90	3.66	2.48
YZT36B21S	TPLC100C16MP13C	24.5	XAHD48F	1	975	29.2	21.0	17.00	23.80	24.8	—	—	—	3.50	—
YZT36B21S	TPLC100C16MP13C	24.5	XAHD48F	2	1425	34.6	23.6	—	12.50	34.8	21.8	8.55	6.85	3.66	2.40
YZT36B21S	TPLC100C16MP13C	21.0	XAHD60G	1	850	29.0	20.4	17.00	24.25	23.8	—	—	—	3.30	—
YZT36B21S	TPLC100C16MP13C	21.0	XAHD60G	2	1275	34.6	23.8	—	12.50	34.2	22.2	8.55	6.90	3.64	2.46
YZT36B21S	TPLC100C20MP13C	21.0	CF/CM/CU36C	1	800	28.0	20.8	17.00	25.10	28.6	—	—	—	4.72	—

**SYSTEM CAPACITY — With High Efficiency Motor Furnaces<sup>1</sup> (Continued)**

UNIT MODEL	FURNACE MODEL	WIDTH	COIL MODEL <sup>2</sup>	Stage	COOLING					HEATING					
					RATED CFM	NET MBH		SEER	EER	NET MBH		HSPF IV	HSPF V	COP	
						TOTAL	SENS.			47°F OD	17°F OD			47°F OD	17°F OD
YZT36B21S	TPLC100C20MP13C	21.0	CF/CM/CU36C	2	1150	35.0	27.6	—	13.00	35.0	21.8	9.50	8.45	4.20	2.68
YZT36B21S	TPLC100C20MP13C	21.0	CF/CM/CU42C	1	800	28.8	21.2	18.00	25.65	28.2	—	—	—	3.76	—
YZT36B21S	TPLC100C20MP13C	21.0	CF/CM/CU42C	2	1150	34.4	27.4	—	13.00	35.4	21.8	9.50	8.20	3.86	2.68
YZT36B21S	TPLC100C20MP13C	21.0	CF/CM/CU42D	1	800	28.8	21.2	18.00	25.70	28.2	—	—	—	3.76	—
YZT36B21S	TPLC100C20MP13C	21.0	CF/CM/CU42D	2	1150	34.4	27.4	—	13.00	35.4	21.8	9.50	8.20	3.88	2.68
YZT36B21S	TPLC100C20MP13C	21.0	CF/CM/CU48C	1	800	29.4	21.4	18.00	26.65	24.2	—	—	—	3.54	—
YZT36B21S	TPLC100C20MP13C	21.0	CF/CM/CU48C	2	1150	35.8	27.8	—	14.00	35.6	21.8	9.00	8.15	3.94	2.68
YZT36B21S	TPLC100C20MP13C	21.0	CF/CM/CU48D	1	800	29.4	21.4	18.00	26.70	24.2	—	—	—	3.56	—
YZT36B21S	TPLC100C20MP13C	21.0	CF/CM/CU48D	2	1150	35.8	27.8	—	14.00	35.6	21.8	9.50	8.15	3.94	2.68
YZT36B21S	TPLC100C20MP13C	21.0	CF/CM/CU60C	1	800	29.6	21.4	18.00	26.85	24.0	—	—	—	3.82	—
YZT36B21S	TPLC100C20MP13C	21.0	CF/CM/CU60C	2	1150	35.8	28.0	—	14.00	35.0	22.4	10.00	8.65	4.20	2.82
YZT36B21S	TPLC100C20MP13C	21.0	CF/CM/CU60D	1	800	29.6	21.6	18.00	26.90	24.0	—	—	—	3.82	—
YZT36B21S	TPLC100C20MP13C	21.0	CF/CM/CU60D	2	1150	35.8	28.2	—	14.00	35.0	22.4	10.00	8.65	4.22	2.82
YZT36B21S	TPLC100C20MP13C	21.0	XAF/XAUC60G	1	925	30.0	21.6	18.00	25.30	24.0	—	—	—	3.44	—
YZT36B21S	TPLC100C20MP13C	21.0	XAF/XAUC60G	2	1375	35.4	23.8	—	13.00	34.0	21.6	8.55	6.75	3.74	2.46
YZT36B21S	TPLC100C20MP13C	21.0	XAHC48F	1	925	29.2	20.8	17.50	24.65	24.4	—	—	—	3.46	—
YZT36B21S	TPLC100C20MP13C	21.0	XAHC48F	2	1375	34.6	23.6	—	13.00	34.4	21.6	8.55	6.80	3.70	2.42
YZT36B21S	TPLC100C20MP13C	21.0	XAHC60G	1	900	29.4	21.0	18.00	25.25	23.8	—	—	—	3.42	—
YZT36B21S	TPLC100C20MP13C	21.0	XAHC60G	2	1325	35.0	24.0	—	13.00	34.0	22.0	8.75	7.10	3.74	2.50
YZT36B21S	TPLC120C20MP13C	21.0	CF/CM/CU36C	1	800	28.0	20.8	17.00	25.10	28.6	—	—	—	4.72	—
YZT36B21S	TPLC120C20MP13C	21.0	CF/CM/CU36C	2	1150	35.0	27.6	—	13.00	35.0	21.8	9.50	8.45	4.20	2.68
YZT36B21S	TPLC120C20MP13C	21.0	CF/CM/CU42C	1	800	28.8	21.2	18.00	25.65	28.2	—	—	—	3.76	—
YZT36B21S	TPLC120C20MP13C	21.0	CF/CM/CU42C	2	1150	34.4	27.4	—	13.00	35.4	21.8	9.50	8.20	3.86	2.68
YZT36B21S	TPLC120C20MP13C	21.0	CF/CM/CU42D	1	800	28.8	21.2	18.00	25.70	28.2	—	—	—	3.76	—
YZT36B21S	TPLC120C20MP13C	21.0	CF/CM/CU42D	2	1150	34.4	27.4	—	13.00	35.4	21.8	9.50	8.20	3.88	2.68
YZT36B21S	TPLC120C20MP13C	21.0	CF/CM/CU48C	1	800	29.4	21.4	18.00	26.65	24.2	—	—	—	3.54	—
YZT36B21S	TPLC120C20MP13C	21.0	CF/CM/CU48C	2	1150	35.8	27.8	—	14.00	35.6	21.8	9.00	8.15	3.94	2.68
YZT36B21S	TPLC120C20MP13C	21.0	CF/CM/CU48D	1	800	29.4	21.4	18.00	26.70	24.2	—	—	—	3.56	—
YZT36B21S	TPLC120C20MP13C	21.0	CF/CM/CU48D	2	1150	35.8	27.8	—	14.00	35.6	21.8	9.50	8.15	3.94	2.68
YZT36B21S	TPLC120C20MP13C	21.0	CF/CM/CU60C	1	800	29.6	21.4	18.00	26.85	24.0	—	—	—	3.82	—
YZT36B21S	TPLC120C20MP13C	21.0	CF/CM/CU60C	2	1150	35.8	28.0	—	14.00	35.0	22.4	10.00	8.65	4.20	2.82
YZT36B21S	TPLC120C20MP13C	21.0	CF/CM/CU60D	1	800	29.6	21.6	18.00	26.90	24.0	—	—	—	3.82	—
YZT36B21S	TPLC120C20MP13C	21.0	CF/CM/CU60D	2	1150	35.8	28.2	—	14.00	35.0	22.4	10.00	8.65	4.22	2.82
YZT36B21S	TPLC120C20MP13C	21.0	XAF/XAUC60G	1	925	30.0	21.6	18.00	25.30	24.0	—	—	—	3.44	—
YZT36B21S	TPLC120C20MP13C	21.0	XAF/XAUC60G	2	1375	35.4	23.8	—	13.00	34.0	21.6	8.55	6.75	3.74	2.46
YZT36B21S	TPLC120C20MP13C	21.0	XAHC48F	1	925	29.2	20.8	17.50	24.65	24.4	—	—	—	3.46	—
YZT36B21S	TPLC120C20MP13C	21.0	XAHC48F	2	1375	34.6	23.6	—	13.00	34.4	21.6	8.55	6.80	3.70	2.42

**SYSTEM CAPACITY — With High Efficiency Motor Furnaces<sup>1</sup> (Continued)**

UNIT MODEL	FURNACE MODEL	WIDTH	COIL MODEL <sup>2</sup>	Stage	COOLING					HEATING					
					RATED CFM	NET MBH		SEER	EER	NET MBH		HSPF IV	HSPF V	COP	
						TOTAL	SENS.			47°F OD	17°F OD			47°F OD	17°F OD
YZT36B21S	TPLC120C20MP13C	21.0	XAHC60G	1	900	29.4	21.0	18.00	25.25	23.8	—	—	—	3.42	—
YZT36B21S	TPLC120C20MP13C	21.0	XAHC60G	2	1325	35.0	24.0	—	13.00	34.0	22.0	8.75	7.10	3.74	2.50
YZT36B21S	YP9C060B12MP13C	17.5	CF/CM/CU36B	1	650	27.0	18.6	17.00	23.95	28.8	—	—	—	3.98	—
YZT36B21S	YP9C060B12MP13C	17.5	CF/CM/CU36B	2	1000	34.4	25.4	—	13.00	35.6	21.8	9.00	8.25	3.72	2.68
YZT36B21S	YP9C060B12MP13C	17.5	CF/CM/CU36C	1	650	27.0	18.6	17.00	24.15	28.6	—	—	—	4.00	—
YZT36B21S	YP9C060B12MP13C	17.5	CF/CM/CU36C	2	1000	34.4	25.4	—	13.00	35.4	21.8	9.00	8.25	3.76	2.68
YZT36B21S	YP9C060B12MP13C	17.5	CF/CM/CU42C	1	650	28.0	19.0	17.00	24.45	28.6	—	—	—	3.40	—
YZT36B21S	YP9C060B12MP13C	17.5	CF/CM/CU42C	2	1000	33.4	25.0	—	13.00	35.4	21.8	9.00	8.10	3.62	2.68
YZT36B21S	YP9C060B12MP13C	17.5	CF/CM/CU48C	1	650	28.2	19.1	17.00	25.45	24.4	—	—	—	3.22	—
YZT36B21S	YP9C060B12MP13C	17.5	CF/CM/CU48C	2	1000	35.0	25.8	—	13.00	35.8	21.8	9.00	8.05	3.80	2.68
YZT36B21S	YP9C060B12MP13C	17.5	CF/CM/CU60C	1	750	29.2	20.6	17.00	25.70	24.2	—	—	—	3.66	—
YZT36B21S	YP9C060B12MP13C	17.5	CF/CM/CU60C	2	1225	35.4	28.4	—	13.00	35.8	22.4	9.50	8.55	3.96	2.82
YZT36B21S	YP9C060B12MP13C	17.5	CF42B	1	650	28.0	19.0	17.00	24.20	28.6	—	—	—	3.38	—
YZT36B21S	YP9C060B12MP13C	17.5	CF42B	2	1000	33.4	25.0	—	13.00	35.6	21.8	9.00	8.10	3.60	2.68
YZT36B21S	YP9C060B12MP13C	21.0	XAF/XAUC48F	1	650	27.2	17.7	16.50	23.00	23.6	—	—	—	3.00	—
YZT36B21S	YP9C060B12MP13C	21.0	XAF/XAUC48F	2	1000	33.2	22.2	—	12.50	34.4	22.4	8.20	6.60	3.50	2.36
YZT36B21S	YP9C060B12MP13C	21.0	XAF/XAUC60G	1	700	28.2	18.7	17.00	23.85	23.6	—	—	—	3.08	—
YZT36B21S	YP9C060B12MP13C	21.0	XAF/XAUC60G	2	1100	34.0	22.8	—	12.50	34.2	21.6	8.20	6.60	3.50	2.34
YZT36B21S	YP9C060B12MP13C	21.0	XAHC48F	1	700	27.6	18.3	17.00	23.40	24.0	—	—	—	3.08	—
YZT36B21S	YP9C060B12MP13C	21.0	XAHC48F	2	1100	33.2	22.8	—	12.50	34.4	22.0	8.20	6.60	3.46	2.32
YZT36B21S	YP9C060B12MP13C	21.0	XAHC60G	1	675	27.8	18.4	17.00	23.80	23.6	—	—	—	3.06	—
YZT36B21S	YP9C060B12MP13C	21.0	XAHC60G	2	1100	33.8	23.2	—	12.50	34.0	22.0	8.20	6.60	3.48	2.40
YZT36B21S	YP9C080B12MP13C	17.5	CF/CM/CU36B	1	675	27.4	19.1	17.00	24.30	28.6	—	—	—	4.02	—
YZT36B21S	YP9C080B12MP13C	17.5	CF/CM/CU36B	2	975	34.2	25.2	—	13.00	35.2	21.8	9.50	8.25	3.74	2.68
YZT36B21S	YP9C080B12MP13C	17.5	CF/CM/CU42C	1	675	28.2	19.3	17.00	24.90	28.6	—	—	—	3.30	—
YZT36B21S	YP9C080B12MP13C	17.5	CF/CM/CU42C	2	950	33.8	24.8	—	13.00	35.6	21.8	9.00	8.05	3.54	2.68
YZT36B21S	YP9C080B12MP13C	17.5	CF/CM/CU48C	1	650	28.2	19.1	17.00	25.55	24.4	—	—	—	3.24	—
YZT36B21S	YP9C080B12MP13C	17.5	CF/CM/CU48C	2	950	34.8	25.2	—	13.00	35.8	21.8	9.00	8.05	3.80	2.68
YZT36B21S	YP9C080B12MP13C	17.5	CF/CM/CU60C	1	825	29.4	21.8	18.00	25.90	24.0	—	—	—	3.90	—
YZT36B21S	YP9C080B12MP13C	17.5	CF/CM/CU60C	2	1250	35.4	28.8	—	13.00	35.4	22.4	9.50	8.65	4.14	2.82
YZT36B21S	YP9C080B12MP13C	17.5	CF42B	1	675	27.4	19.0	17.00	24.50	28.4	—	—	—	3.50	—
YZT36B21S	YP9C080B12MP13C	17.5	CF42B	2	975	33.2	24.8	—	13.00	35.2	21.8	9.00	8.15	3.68	2.68
YZT36B21S	YP9C080B12MP13C	17.5	XAF/XAUB36D	1	825	28.4	19.8	16.50	23.35	24.0	—	—	—	3.16	—
YZT36B21S	YP9C080B12MP13C	17.5	XAF/XAUB36D	2	1250	33.6	22.8	—	12.00	34.4	22.6	8.20	6.60	3.42	2.32
YZT36B21S	YP9C080B12MP13C	21.0	XAF/XAUC48F	1	825	28.2	19.4	16.50	23.30	24.0	—	—	—	3.22	—
YZT36B21S	YP9C080B12MP13C	21.0	XAF/XAUC48F	2	1250	34.0	22.6	—	12.50	34.8	22.6	8.55	6.90	3.60	2.38
YZT36B21S	YP9C080B12MP13C	21.0	XAF/XAUC60G	1	775	28.8	19.7	17.00	24.25	23.8	—	—	—	3.18	—

**SYSTEM CAPACITY — With High Efficiency Motor Furnaces<sup>1</sup> (Continued)**

UNIT MODEL	FURNACE MODEL	WIDTH	COIL MODEL <sup>2</sup>	Stage	COOLING					HEATING					
					RATED CFM	NET MBH		SEER	EER	NET MBH		HSPF IV	HSPF V	COP	
						TOTAL	SENS.			47°F OD	17°F OD			47°F OD	17°F OD
Yzt36B21S	YP9C080B12MP13C	21.0	XAF/XAUC60G	2	1175	34.4	23.2	—	13.00	34.0	21.6	8.20	6.60	3.56	2.38
Yzt36B21S	YP9C080B12MP13C	21.0	XAFC36D	1	825	28.4	19.8	16.50	23.45	24.0	—	—	—	3.16	—
Yzt36B21S	YP9C080B12MP13C	21.0	XAFC36D	2	1250	33.8	23.0	—	12.00	34.4	22.6	8.20	6.60	3.44	2.32
Yzt36B21S	YP9C080B12MP13C	21.0	XAHC48F	1	825	28.4	19.6	17.00	23.70	24.2	—	—	—	3.26	—
Yzt36B21S	YP9C080B12MP13C	21.0	XAHC48F	2	1250	33.8	23.0	—	12.00	34.6	22.0	8.50	6.90	3.54	2.34
Yzt36B21S	YP9C080B12MP13C	21.0	XAHC60G	1	800	28.6	19.8	17.00	24.25	23.8	—	—	—	3.24	—
Yzt36B21S	YP9C080B12MP13C	21.0	XAHC60G	2	1250	34.4	23.6	—	12.50	34.2	22.2	8.55	6.85	3.56	2.42
Yzt36B21S	YP9C080C16MP13C	21.0	CF/CM/CU36C	1	675	26.8	18.8	17.00	23.95	28.6	—	—	—	3.92	—
Yzt36B21S	YP9C080C16MP13C	21.0	CF/CM/CU36C	2	1025	33.8	25.6	—	13.00	35.2	21.8	9.50	8.25	3.70	2.68
Yzt36B21S	YP9C080C16MP13C	21.0	CF/CM/CU42C	1	625	27.8	18.7	17.00	24.40	28.6	—	—	—	3.28	—
Yzt36B21S	YP9C080C16MP13C	21.0	CF/CM/CU42C	2	950	33.8	24.8	—	13.00	35.4	21.8	9.00	8.05	3.56	2.68
Yzt36B21S	YP9C080C16MP13C	21.0	CF/CM/CU42D	1	625	27.8	18.7	17.00	24.40	28.6	—	—	—	3.28	—
Yzt36B21S	YP9C080C16MP13C	21.0	CF/CM/CU42D	2	950	33.8	24.8	—	13.00	35.4	21.8	9.00	8.05	3.56	2.68
Yzt36B21S	YP9C080C16MP13C	21.0	CF/CM/CU48C	1	700	28.6	20.0	18.00	25.85	24.4	—	—	—	3.40	—
Yzt36B21S	YP9C080C16MP13C	21.0	CF/CM/CU48C	2	1025	35.2	26.2	—	14.00	35.6	21.8	9.50	8.10	3.88	2.68
Yzt36B21S	YP9C080C16MP13C	21.0	CF/CM/CU48D	1	700	28.6	20.0	18.00	25.85	24.4	—	—	—	3.40	—
Yzt36B21S	YP9C080C16MP13C	21.0	CF/CM/CU48D	2	1025	35.2	26.2	—	14.00	35.6	21.8	9.50	8.10	3.88	2.68
Yzt36B21S	YP9C080C16MP13C	21.0	CF/CM/CU60C	1	800	29.6	21.4	18.00	26.25	24.2	—	—	—	3.78	—
Yzt36B21S	YP9C080C16MP13C	21.0	CF/CM/CU60C	2	1225	35.8	28.8	—	13.00	35.4	22.4	10.00	8.60	4.10	2.82
Yzt36B21S	YP9C080C16MP13C	21.0	CF/CM/CU60D	1	800	29.6	21.4	18.00	26.35	24.0	—	—	—	3.78	—
Yzt36B21S	YP9C080C16MP13C	21.0	CF/CM/CU60D	2	1225	35.8	28.8	—	14.00	35.4	22.4	10.00	8.60	4.12	2.82
Yzt36B21S	YP9C080C16MP13C	21.0	XAF/XAUC48F	1	875	28.4	19.8	17.00	23.50	24.0	—	—	—	3.30	—
Yzt36B21S	YP9C080C16MP13C	21.0	XAF/XAUC48F	2	1300	34.4	23.0	—	12.50	34.8	22.4	8.55	6.95	3.66	2.42
Yzt36B21S	YP9C080C16MP13C	21.0	XAF/XAUC60G	1	875	29.4	20.8	17.50	24.45	24.0	—	—	—	3.32	—
Yzt36B21S	YP9C080C16MP13C	21.0	XAF/XAUC60G	2	1300	35.0	23.6	—	13.00	34.2	21.8	8.55	6.75	3.62	2.40
Yzt36B21S	YP9C080C16MP13C	24.5	XAF/XAUD60G	1	875	29.4	20.8	17.00	24.30	24.0	—	—	—	3.32	—
Yzt36B21S	YP9C080C16MP13C	24.5	XAF/XAUD60G	2	1300	35.0	23.6	—	13.00	34.2	21.6	8.55	6.80	3.64	2.40
Yzt36B21S	YP9C080C16MP13C	21.0	XAFC36D	1	900	29.0	20.8	16.50	23.65	24.2	—	—	—	3.28	—
Yzt36B21S	YP9C080C16MP13C	21.0	XAFC36D	2	1375	34.2	23.2	—	12.00	34.6	22.8	8.55	6.95	3.50	2.36
Yzt36B21S	YP9C080C16MP13C	24.5	XAFD48F	1	875	28.4	19.8	17.00	23.50	24.0	—	—	—	3.30	—
Yzt36B21S	YP9C080C16MP13C	24.5	XAFD48F	2	1300	34.4	23.0	—	12.50	34.6	22.4	8.55	6.95	3.68	2.42
Yzt36B21S	YP9C080C16MP13C	21.0	XAHC36D	1	900	28.8	20.4	16.00	22.80	24.0	—	—	—	3.20	—
Yzt36B21S	YP9C080C16MP13C	21.0	XAHC36D	2	1375	34.6	23.2	—	12.00	34.8	22.4	8.20	6.60	3.44	2.24
Yzt36B21S	YP9C080C16MP13C	21.0	XAHC48F	1	875	28.6	20.0	17.00	23.80	24.4	—	—	—	3.36	—
Yzt36B21S	YP9C080C16MP13C	21.0	XAHC48F	2	1300	34.2	23.4	—	12.50	34.6	21.8	8.50	6.75	3.60	2.38
Yzt36B21S	YP9C080C16MP13C	21.0	XAHC60G	1	875	29.2	20.8	17.50	24.50	23.8	—	—	—	3.34	—
Yzt36B21S	YP9C080C16MP13C	21.0	XAHC60G	2	1300	34.6	23.8	—	12.50	34.2	22.2	8.55	6.90	3.64	2.46



SYSTEM CAPACITY — With High Efficiency Motor Furnaces<sup>1</sup> (Continued)

UNIT MODEL	FURNACE MODEL	WIDTH	COIL MODEL <sup>2</sup>	Stage	COOLING					HEATING					
					RATED CFM	NET MBH		SEER	EER	NET MBH		HSPF IV	HSPF V	COP	
						TOTAL	SENS.			47°F OD	17°F OD			47°F OD	17°F OD
YZT36B21S	YP9C080C16MP13C	24.5	XAHD48F	1	875	28.6	20.0	17.00	23.55	24.4	—	—	—	3.34	—
YZT36B21S	YP9C080C16MP13C	24.5	XAHD48F	2	1300	34.2	23.4	—	12.50	34.6	21.8	8.55	6.80	3.60	2.36
YZT36B21S	YP9C080C16MP13C	21.0	XAHD60G	1	875	29.2	20.8	17.00	23.90	24.0	—	—	—	3.32	—
YZT36B21S	YP9C080C16MP13C	21.0	XAHD60G	2	1300	34.6	23.8	—	12.50	34.4	22.2	8.55	7.00	3.62	2.44
YZT36B21S	YP9C100C16MP13C	21.0	CF/CM/CU36C	1	700	27.6	19.4	17.00	24.80	28.6	—	—	—	4.16	—
YZT36B21S	YP9C100C16MP13C	21.0	CF/CM/CU36C	2	1000	34.8	25.8	—	13.00	35.2	21.8	9.50	8.30	3.84	2.68
YZT36B21S	YP9C100C16MP13C	21.0	CF/CM/CU42C	1	700	27.8	19.4	17.00	25.20	28.4	—	—	—	3.58	—
YZT36B21S	YP9C100C16MP13C	21.0	CF/CM/CU42C	2	1000	33.8	25.4	—	13.00	35.2	21.8	9.00	8.15	3.72	2.68
YZT36B21S	YP9C100C16MP13C	21.0	CF/CM/CU42D	1	700	28.0	19.6	17.00	25.25	28.2	—	—	—	3.70	—
YZT36B21S	YP9C100C16MP13C	21.0	CF/CM/CU42D	2	975	33.6	25.0	—	13.00	35.0	21.8	9.50	8.20	3.74	2.68
YZT36B21S	YP9C100C16MP13C	21.0	CF/CM/CU48C	1	700	28.6	19.9	18.00	26.00	24.4	—	—	—	3.42	—
YZT36B21S	YP9C100C16MP13C	21.0	CF/CM/CU48C	2	975	35.0	25.6	—	14.00	35.4	21.8	9.50	8.10	3.88	2.68
YZT36B21S	YP9C100C16MP13C	21.0	CF/CM/CU48D	1	700	28.6	19.9	18.00	26.00	24.4	—	—	—	3.42	—
YZT36B21S	YP9C100C16MP13C	21.0	CF/CM/CU48D	2	975	35.0	25.6	—	14.00	35.4	21.8	9.50	8.10	3.90	2.68
YZT36B21S	YP9C100C16MP13C	21.0	CF/CM/CU60C	1	800	30.0	21.6	18.00	26.75	24.6	—	—	—	3.14	—
YZT36B21S	YP9C100C16MP13C	21.0	CF/CM/CU60C	2	1175	36.0	28.4	—	14.00	36.0	22.4	9.50	8.30	3.62	2.82
YZT36B21S	YP9C100C16MP13C	21.0	CF/CM/CU60D	1	800	30.0	21.6	19.00	26.90	24.6	—	—	—	3.16	—
YZT36B21S	YP9C100C16MP13C	21.0	CF/CM/CU60D	2	1175	36.0	28.2	—	14.00	36.0	22.4	9.50	8.30	3.64	2.82
YZT36B21S	YP9C100C16MP13C	21.0	XAF/XAUC48F	1	850	28.4	19.7	17.00	23.85	24.0	—	—	—	3.28	—
YZT36B21S	YP9C100C16MP13C	21.0	XAF/XAUC48F	2	1225	34.2	22.8	—	13.00	34.4	22.2	8.55	6.95	3.70	2.44
YZT36B21S	YP9C100C16MP13C	21.0	XAF/XAUC60G	1	875	29.4	20.8	17.50	24.80	23.8	—	—	—	3.34	—
YZT36B21S	YP9C100C16MP13C	21.0	XAF/XAUC60G	2	1275	35.0	23.6	—	13.00	34.0	21.4	8.55	6.70	3.68	2.42
YZT36B21S	YP9C100C16MP13C	24.5	XAF/XAUD60G	1	850	29.4	20.6	17.50	24.65	23.8	—	—	—	3.30	—
YZT36B21S	YP9C100C16MP13C	24.5	XAF/XAUD60G	2	1225	34.8	23.6	—	13.00	33.8	21.4	8.55	6.80	3.66	2.42
YZT36B21S	YP9C100C16MP13C	21.0	XAFC36D	1	925	29.2	21.2	17.00	24.10	24.2	—	—	—	3.34	—
YZT36B21S	YP9C100C16MP13C	21.0	XAFC36D	2	1325	34.4	23.4	—	12.50	34.2	22.4	8.55	6.80	3.56	2.38
YZT36B21S	YP9C100C16MP13C	24.5	XAFD48F	1	850	28.4	19.7	17.00	23.85	24.0	—	—	—	3.28	—
YZT36B21S	YP9C100C16MP13C	24.5	XAFD48F	2	1225	34.2	22.8	—	13.00	34.4	22.2	8.55	6.95	3.70	2.44
YZT36B21S	YP9C100C16MP13C	21.0	XAHC36D	1	925	29.0	20.8	16.50	23.15	24.0	—	—	—	3.26	—
YZT36B21S	YP9C100C16MP13C	21.0	XAHC36D	2	1325	34.6	23.2	—	12.50	34.4	22.0	8.20	6.55	3.50	2.26
YZT36B21S	YP9C100C16MP13C	21.0	XAHC48F	1	875	28.8	20.2	17.50	24.20	24.4	—	—	—	3.36	—
YZT36B21S	YP9C100C16MP13C	21.0	XAHC48F	2	1275	34.2	23.4	—	13.00	34.4	21.6	8.55	6.65	3.64	2.40
YZT36B21S	YP9C100C16MP13C	21.0	XAHC60G	1	825	29.0	20.4	17.50	24.70	23.8	—	—	—	3.28	—
YZT36B21S	YP9C100C16MP13C	21.0	XAHC60G	2	1225	34.6	23.8	—	13.00	33.8	21.8	8.55	6.90	3.64	2.48
YZT36B21S	YP9C100C16MP13C	24.5	XAHD48F	1	875	28.8	20.2	17.00	23.90	24.4	—	—	—	3.36	—
YZT36B21S	YP9C100C16MP13C	24.5	XAHD48F	2	1275	34.2	23.4	—	13.00	34.4	21.6	8.55	6.75	3.64	2.40
YZT36B21S	YP9C100C16MP13C	21.0	XAHD60G	1	850	29.0	20.4	17.00	24.20	23.8	—	—	—	3.30	—

**SYSTEM CAPACITY — With High Efficiency Motor Furnaces<sup>1</sup> (Continued)**

UNIT MODEL	FURNACE MODEL	WIDTH	COIL MODEL <sup>2</sup>	Stage	COOLING					HEATING					
					RATED CFM	NET MBH		SEER	EER	NET MBH		HSPF IV	HSPF V	COP	
						TOTAL	SENS.			47°F OD	17°F OD			47°F OD	17°F OD
YZT36B21S	YP9C100C16MP13C	21.0	XAHD60G	2	1225	34.4	23.6	—	13.00	34.0	22.0	8.55	6.90	3.62	2.46
YZT36B21S	YP9C100C20MP13C	21.0	CF/CM/CU36C	1	650	27.2	18.7	17.00	24.70	28.8	—	—	—	3.90	—
YZT36B21S	YP9C100C20MP13C	21.0	CF/CM/CU36C	2	1100	34.2	26.6	—	13.00	35.2	21.8	9.50	8.25	3.74	2.68
YZT36B21S	YP9C100C20MP13C	21.0	CF/CM/CU42C	1	650	28.2	19.1	18.00	25.05	29.0	—	—	—	3.02	—
YZT36B21S	YP9C100C20MP13C	21.0	CF/CM/CU42C	2	1100	34.2	26.6	—	13.00	35.8	21.8	9.00	7.95	3.42	2.68
YZT36B21S	YP9C100C20MP13C	21.0	CF/CM/CU42D	1	650	28.2	19.1	18.00	25.05	29.0	—	—	—	3.02	—
YZT36B21S	YP9C100C20MP13C	21.0	CF/CM/CU42D	2	1100	34.2	26.6	—	13.00	35.8	21.8	9.00	7.95	3.44	2.68
YZT36B21S	YP9C100C20MP13C	21.0	CF/CM/CU48C	1	650	28.2	19.1	18.00	25.95	24.4	—	—	—	3.14	—
YZT36B21S	YP9C100C20MP13C	21.0	CF/CM/CU48C	2	1100	34.6	26.8	—	13.00	35.6	21.8	9.00	8.00	3.88	2.68
YZT36B21S	YP9C100C20MP13C	21.0	CF/CM/CU48D	1	650	28.2	19.1	18.00	25.95	24.4	—	—	—	3.14	—
YZT36B21S	YP9C100C20MP13C	21.0	CF/CM/CU48D	2	1100	34.6	26.8	—	13.00	35.6	21.8	9.00	8.00	3.88	2.68
YZT36B21S	YP9C100C20MP13C	21.0	CF/CM/CU60C	1	800	29.8	21.6	19.00	26.80	24.2	—	—	—	3.72	—
YZT36B21S	YP9C100C20MP13C	21.0	CF/CM/CU60C	2	1275	36.0	29.4	—	14.00	35.4	22.4	10.00	8.55	4.08	2.82
YZT36B21S	YP9C100C20MP13C	21.0	CF/CM/CU60D	1	800	29.8	21.6	19.00	26.90	24.2	—	—	—	3.72	—
YZT36B21S	YP9C100C20MP13C	21.0	CF/CM/CU60D	2	1275	36.0	29.4	—	14.00	35.4	22.4	10.00	8.60	4.10	2.82
YZT36B21S	YP9C100C20MP13C	21.0	XAF/XAUC48F	1	800	28.0	19.1	17.00	23.90	23.8	—	—	—	3.22	—
YZT36B21S	YP9C100C20MP13C	21.0	XAF/XAUC48F	2	1275	34.4	23.0	—	13.00	34.6	22.4	8.55	6.80	3.70	2.44
YZT36B21S	YP9C100C20MP13C	21.0	XAF/XAUC60G	1	800	29.0	20.0	17.50	24.70	23.6	—	—	—	3.24	—
YZT36B21S	YP9C100C20MP13C	21.0	XAF/XAUC60G	2	1275	35.0	23.6	—	13.00	34.0	21.6	8.55	6.75	3.66	2.42
YZT36B21S	YP9C100C20MP13C	24.5	XAF/XAUD60G	1	800	29.0	20.0	17.50	24.65	23.8	—	—	—	3.24	—
YZT36B21S	YP9C100C20MP13C	24.5	XAF/XAUD60G	2	1275	35.0	23.6	—	13.00	34.0	21.4	8.55	6.80	3.66	2.42
YZT36B21S	YP9C100C20MP13C	21.0	XAFC36D	1	800	28.2	19.5	17.00	24.00	23.8	—	—	—	3.16	—
YZT36B21S	YP9C100C20MP13C	21.0	XAFC36D	2	1300	34.2	23.4	—	12.50	34.2	22.4	8.20	6.70	3.54	2.38
YZT36B21S	YP9C100C20MP13C	24.5	XAFD48F	1	800	28.0	19.1	17.00	23.90	23.8	—	—	—	3.22	—
YZT36B21S	YP9C100C20MP13C	24.5	XAFD48F	2	1275	34.4	23.0	—	13.00	34.4	22.2	8.55	6.95	3.70	2.44
YZT36B21S	YP9C100C20MP13C	21.0	XAHC48F	1	825	28.4	19.6	17.50	24.15	24.2	—	—	—	3.28	—
YZT36B21S	YP9C100C20MP13C	21.0	XAHC48F	2	1350	34.4	23.6	—	12.50	34.6	21.6	8.55	6.75	3.66	2.40
YZT36B21S	YP9C100C20MP13C	21.0	XAHC60G	1	800	28.8	20.0	17.50	24.85	23.6	—	—	—	3.26	—
YZT36B21S	YP9C100C20MP13C	21.0	XAHC60G	2	1275	34.8	24.0	—	13.00	34.0	22.0	8.55	6.90	3.66	2.48
YZT36B21S	YP9C100C20MP13C	24.5	XAHD48F	1	825	28.4	19.6	17.00	23.85	24.2	—	—	—	3.28	—
YZT36B21S	YP9C100C20MP13C	24.5	XAHD48F	2	1350	34.4	23.6	—	12.50	34.6	21.6	8.55	6.85	3.66	2.40
YZT36B21S	YP9C100C20MP13C	21.0	XAHD60G	1	800	28.6	19.8	17.00	24.25	23.8	—	—	—	3.24	—
YZT36B21S	YP9C100C20MP13C	21.0	XAHD60G	2	1275	34.6	23.8	—	13.00	34.2	22.0	8.55	7.00	3.64	2.46
YZT36B21S	YP9C120D20MP13C	24.5	CF/CM/CU42D	1	700	28.6	19.8	18.00	25.75	28.8	—	—	—	3.24	—
YZT36B21S	YP9C120D20MP13C	24.5	CF/CM/CU42D	2	1050	34.0	26.0	—	13.00	35.6	21.8	9.00	8.05	3.56	2.68
YZT36B21S	YP9C120D20MP13C	24.5	CF/CM/CU48D	1	700	28.8	20.0	18.00	26.30	24.4	—	—	—	3.40	—
YZT36B21S	YP9C120D20MP13C	24.5	CF/CM/CU48D	2	1050	35.4	26.6	—	14.00	35.4	21.8	9.50	8.10	3.92	2.68

SYSTEM CAPACITY — With High Efficiency Motor Furnaces<sup>1</sup> (Continued)

UNIT MODEL	FURNACE MODEL	WIDTH	COIL MODEL <sup>2</sup>	Stage	COOLING					HEATING					
					RATED CFM	NET MBH		SEER	EER	NET MBH		HSPF IV	HSPF V	COP	
						TOTAL	SENS.			47°F OD	17°F OD			47°F OD	17°F OD
YZT36B21S	YP9C120D20MP13C	24.5	CF/CM/CU60D	1	800	30.0	21.6	19.00	27.20	24.4	—	—	—	3.48	—
YZT36B21S	YP9C120D20MP13C	24.5	CF/CM/CU60D	2	1200	36.0	28.6	—	14.00	35.8	22.4	9.60	8.45	3.94	2.82
YZT36B21S	YP9C120D20MP13C	24.5	XAF/XAUD60G	1	825	29.2	20.4	17.50	24.85	23.8	—	—	—	3.28	—
YZT36B21S	YP9C120D20MP13C	24.5	XAF/XAUD60G	2	1250	35.0	23.8	—	13.50	33.8	21.4	8.55	6.70	3.70	2.44
YZT36B21S	YP9C120D20MP13C	24.5	XAFD48F	1	800	28.2	19.3	17.00	24.00	23.8	—	—	—	3.22	—
YZT36B21S	YP9C120D20MP13C	24.5	XAFD48F	2	1200	34.2	23.0	—	13.00	34.2	22.0	8.55	6.95	3.70	2.46
YZT36B21S	YP9C120D20MP13C	24.5	XAHD48F	1	900	28.8	20.4	17.50	24.20	24.4	—	—	—	3.40	—
YZT36B21S	YP9C120D20MP13C	24.5	XAHD48F	2	1400	34.8	23.8	—	13.00	34.4	21.6	8.55	6.75	3.72	2.42
YZT36B21S	YP9C120D20MP13C	21.0	XAHD60G	1	900	29.4	21.0	17.50	24.60	23.8	—	—	—	3.40	—
YZT36B21S	YP9C120D20MP13C	21.0	XAHD60G	2	1400	35.2	24.2	—	13.00	34.2	22.2	8.75	7.10	3.76	2.50
YZT36B21S	YPLC060A12MP13C	14.5	CF/CM/CU36B	1	675	27.4	19.1	17.00	24.30	28.6	—	—	—	4.02	—
YZT36B21S	YPLC060A12MP13C	14.5	CF/CM/CU36B	2	975	34.0	25.0	—	13.00	35.2	21.8	9.50	8.25	3.74	2.68
YZT36B21S	YPLC060A12MP13C	14.5	CF42B	1	675	27.4	19.0	17.00	24.50	28.4	—	—	—	3.50	—
YZT36B21S	YPLC060A12MP13C	14.5	CF42B	2	975	33.2	24.8	—	13.00	35.2	21.8	9.25	8.15	3.68	2.68
YZT36B21S	YPLC060A12MP13C	17.5	XAF/XAUB36D	1	850	28.6	20.2	16.50	23.55	24.2	—	—	—	3.20	—
YZT36B21S	YPLC060A12MP13C	17.5	XAF/XAUB36D	2	1275	33.8	23.0	—	12.00	34.4	22.6	8.20	6.50	3.44	2.32
YZT36B21S	YPLC080B12MP13C	17.5	CF/CM/CU36C	1	675	27.2	19.0	17.00	24.00	28.6	—	—	—	4.00	—
YZT36B21S	YPLC080B12MP13C	17.5	CF/CM/CU36C	2	1000	34.4	25.4	—	13.00	35.4	21.8	9.00	8.25	3.74	2.68
YZT36B21S	YPLC080B12MP13C	17.5	CF/CM/CU42C	1	675	27.6	19.1	17.00	24.45	28.6	—	—	—	3.42	—
YZT36B21S	YPLC080B12MP13C	17.5	CF/CM/CU42C	2	1000	33.4	25.0	—	13.00	35.4	21.8	9.00	8.10	3.62	2.68
YZT36B21S	YPLC080B12MP13C	17.5	CF/CM/CU48C	1	675	28.2	19.4	17.00	25.30	24.4	—	—	—	3.30	—
YZT36B21S	YPLC080B12MP13C	17.5	CF/CM/CU48C	2	1000	35.0	25.8	—	13.00	35.8	21.8	9.00	8.05	3.80	2.68
YZT36B21S	YPLC080B12MP13C	17.5	CF/CM/CU60C	1	800	29.8	21.6	18.00	25.80	24.6	—	—	—	3.42	—
YZT36B21S	YPLC080B12MP13C	17.5	CF/CM/CU60C	2	1200	35.2	28.0	—	13.00	36.0	22.4	9.60	8.40	3.72	2.82
YZT36B21S	YPLC080B12MP13C	21.0	XAF/XAUC48F	1	725	27.6	18.4	16.50	22.90	23.8	—	—	—	3.08	—
YZT36B21S	YPLC080B12MP13C	21.0	XAF/XAUC48F	2	1125	33.4	22.2	—	12.50	34.6	22.6	8.20	6.55	3.52	2.36
YZT36B21S	YPLC080B12MP13C	21.0	XAF/XAUC60G	1	800	28.8	19.8	17.00	23.70	23.8	—	—	—	3.20	—
YZT36B21S	YPLC080B12MP13C	21.0	XAF/XAUC60G	2	1200	34.2	23.0	—	12.00	34.4	22.0	8.20	6.55	3.48	2.32
YZT36B21S	YPLC080B12MP13C	21.0	XAHC48F	1	725	27.8	18.6	16.50	23.25	24.0	—	—	—	3.10	—
YZT36B21S	YPLC080B12MP13C	21.0	XAHC48F	2	1125	33.2	22.8	—	12.00	34.6	22.0	8.20	6.60	3.46	2.32
YZT36B21S	YPLC080B12MP13C	21.0	XAHC60G	1	725	28.2	19.0	17.00	23.80	23.6	—	—	—	3.12	—
YZT36B21S	YPLC080B12MP13C	21.0	XAHC60G	2	1100	33.6	23.0	—	12.50	34.0	22.2	8.20	6.50	3.44	2.38
YZT36B21S	YPLC080C16MP13C	21.0	CF/CM/CU36C	1	700	27.4	19.4	17.00	24.65	28.4	—	—	—	4.46	—
YZT36B21S	YPLC080C16MP13C	21.0	CF/CM/CU36C	2	1050	34.6	26.2	—	13.00	34.8	21.8	9.50	8.40	4.08	2.68
YZT36B21S	YPLC080C16MP13C	21.0	CF/CM/CU42C	1	650	27.6	18.8	17.00	24.45	28.6	—	—	—	3.30	—
YZT36B21S	YPLC080C16MP13C	21.0	CF/CM/CU42C	2	950	33.8	24.8	—	13.00	35.4	21.8	9.00	8.05	3.58	2.68
YZT36B21S	YPLC080C16MP13C	21.0	CF/CM/CU42D	1	700	28.6	19.8	17.00	25.65	28.8	—	—	—	3.24	—

**SYSTEM CAPACITY — With High Efficiency Motor Furnaces<sup>1</sup> (Continued)**

UNIT MODEL	FURNACE MODEL	WIDTH	COIL MODEL <sup>2</sup>	Stage	COOLING					HEATING					
					RATED CFM	NET MBH		SEER	EER	NET MBH		HSPF IV	HSPF V	COP	
						TOTAL	SENS.			47°F OD	17°F OD			47°F OD	17°F OD
YZT36B21S	YPLC080C16MP13C	21.0	CF/CM/CU42D	2	1050	34.0	26.0	—	13.00	35.6	21.8	9.00	8.05	3.54	2.68
YZT36B21S	YPLC080C16MP13C	21.0	CF/CM/CU48C	1	650	28.2	19.1	18.00	25.80	24.4	—	—	—	3.24	—
YZT36B21S	YPLC080C16MP13C	21.0	CF/CM/CU48C	2	950	34.8	25.2	—	14.00	35.6	21.8	9.00	8.05	3.82	2.68
YZT36B21S	YPLC080C16MP13C	21.0	CF/CM/CU48D	1	700	28.8	20.0	18.00	26.15	24.4	—	—	—	3.40	—
YZT36B21S	YPLC080C16MP13C	21.0	CF/CM/CU48D	2	1050	35.4	26.6	—	14.00	35.6	21.8	9.50	8.10	3.88	2.68
YZT36B21S	YPLC080C16MP13C	21.0	CF/CM/CU60C	1	800	29.6	21.4	18.00	26.50	24.0	—	—	—	3.80	—
YZT36B21S	YPLC080C16MP13C	21.0	CF/CM/CU60C	2	1150	35.6	28.0	—	14.00	35.2	22.4	10.00	8.60	4.16	2.82
YZT36B21S	YPLC080C16MP13C	21.0	CF/CM/CU60D	1	800	29.6	21.4	18.00	26.60	24.0	—	—	—	3.80	—
YZT36B21S	YPLC080C16MP13C	21.0	CF/CM/CU60D	2	1150	35.8	28.0	—	14.00	35.2	22.4	10.00	8.65	4.18	2.82
YZT36B21S	YPLC080C16MP13C	21.0	XAF/XAUC48F	1	850	28.4	19.7	17.00	23.85	24.0	—	—	—	3.28	—
YZT36B21S	YPLC080C16MP13C	21.0	XAF/XAUC48F	2	1275	34.4	23.0	—	13.00	34.6	22.4	8.55	6.95	3.68	2.44
YZT36B21S	YPLC080C16MP13C	21.0	XAF/XAUC60G	1	850	29.4	20.6	17.50	24.75	23.8	—	—	—	3.30	—
YZT36B21S	YPLC080C16MP13C	21.0	XAF/XAUC60G	2	1275	35.0	23.6	—	13.00	34.0	21.6	8.55	6.80	3.66	2.42
YZT36B21S	YPLC080C16MP13C	24.5	XAF/XAUD60G	1	850	29.4	20.6	17.50	24.65	23.8	—	—	—	3.30	—
YZT36B21S	YPLC080C16MP13C	24.5	XAF/XAUD60G	2	1275	35.0	23.6	—	13.00	34.0	21.6	8.55	6.70	3.66	2.42
YZT36B21S	YPLC080C16MP13C	21.0	XAFC36D	1	975	29.6	21.8	17.00	24.00	24.4	—	—	—	3.40	—
YZT36B21S	YPLC080C16MP13C	21.0	XAFC36D	2	1425	34.4	23.4	—	12.00	34.6	22.8	8.55	6.75	3.56	2.38
YZT36B21S	YPLC080C16MP13C	24.5	XAFD48F	1	850	28.4	19.7	17.00	23.85	24.0	—	—	—	3.28	—
YZT36B21S	YPLC080C16MP13C	24.5	XAFD48F	2	1275	34.4	23.0	—	13.00	34.6	22.4	8.55	6.95	3.70	2.44
YZT36B21S	YPLC080C16MP13C	21.0	XAHC36D	1	900	28.8	20.4	16.00	23.20	23.8	—	—	—	3.22	—
YZT36B21S	YPLC080C16MP13C	21.0	XAHC36D	2	1425	34.8	23.2	—	12.00	34.8	22.4	8.20	6.55	3.50	2.28
YZT36B21S	YPLC080C16MP13C	21.0	XAHC48F	1	900	28.8	20.4	17.50	24.20	24.4	—	—	—	3.40	—
YZT36B21S	YPLC080C16MP13C	21.0	XAHC48F	2	1425	34.6	23.6	—	12.50	34.8	21.8	8.55	6.65	3.66	2.40
YZT36B21S	YPLC080C16MP13C	21.0	XAHC60G	1	850	29.0	20.4	17.50	24.80	23.8	—	—	—	3.32	—
YZT36B21S	YPLC080C16MP13C	21.0	XAHC60G	2	1275	34.8	24.0	—	13.00	34.0	22.0	8.55	6.90	3.66	2.48
YZT36B21S	YPLC080C16MP13C	24.5	XAHD48F	1	975	29.2	21.0	17.00	23.80	24.8	—	—	—	3.50	—
YZT36B21S	YPLC080C16MP13C	24.5	XAHD48F	2	1425	34.6	23.6	—	12.50	34.8	21.8	8.55	6.85	3.66	2.40
YZT36B21S	YPLC080C16MP13C	21.0	XAHD60G	1	850	29.0	20.4	17.00	24.25	23.8	—	—	—	3.30	—
YZT36B21S	YPLC080C16MP13C	21.0	XAHD60G	2	1275	34.6	23.8	—	12.50	34.2	22.2	8.55	6.90	3.64	2.46
YZT36B21S	YPLC100C16MP13C	21.0	CF/CM/CU36C	1	700	27.4	19.4	17.00	24.65	28.4	—	—	—	4.46	—
YZT36B21S	YPLC100C16MP13C	21.0	CF/CM/CU36C	2	1050	34.6	26.2	—	13.00	34.8	21.8	9.50	8.40	4.08	2.68
YZT36B21S	YPLC100C16MP13C	21.0	CF/CM/CU42C	1	650	27.6	18.8	17.00	24.45	28.6	—	—	—	3.30	—
YZT36B21S	YPLC100C16MP13C	21.0	CF/CM/CU42C	2	950	33.8	24.8	—	13.00	35.4	21.8	9.00	8.05	3.58	2.68
YZT36B21S	YPLC100C16MP13C	21.0	CF/CM/CU42D	1	700	28.6	19.8	17.00	25.65	28.8	—	—	—	3.24	—
YZT36B21S	YPLC100C16MP13C	21.0	CF/CM/CU42D	2	1050	34.0	26.0	—	13.00	35.6	21.8	9.00	8.05	3.54	2.68
YZT36B21S	YPLC100C16MP13C	21.0	CF/CM/CU48C	1	650	28.2	19.1	18.00	25.80	24.4	—	—	—	3.24	—
YZT36B21S	YPLC100C16MP13C	21.0	CF/CM/CU48C	2	950	34.8	25.2	—	14.00	35.6	21.8	9.00	8.05	3.82	2.68

**SYSTEM CAPACITY — With High Efficiency Motor Furnaces<sup>1</sup> (Continued)**

UNIT MODEL	FURNACE MODEL	WIDTH	COIL MODEL <sup>2</sup>	Stage	COOLING					HEATING					
					RATED CFM	NET MBH		SEER	EER	NET MBH		HSPF IV	HSPF V	COP	
						TOTAL	SENS.			47°F OD	17°F OD			47°F OD	17°F OD
YZT36B21S	YPLC100C16MP13C	21.0	CF/CM/CU48D	1	700	28.8	20.0	18.00	26.15	24.4	—	—	—	3.40	—
YZT36B21S	YPLC100C16MP13C	21.0	CF/CM/CU48D	2	1050	35.4	26.6	—	14.00	35.6	21.8	9.50	8.10	3.88	2.68
YZT36B21S	YPLC100C16MP13C	21.0	CF/CM/CU60C	1	800	29.6	21.4	18.00	26.50	24.0	—	—	—	3.80	—
YZT36B21S	YPLC100C16MP13C	21.0	CF/CM/CU60C	2	1150	35.6	28.0	—	14.00	35.2	22.4	10.00	8.60	4.16	2.82
YZT36B21S	YPLC100C16MP13C	21.0	CF/CM/CU60D	1	800	29.6	21.4	18.00	26.60	24.0	—	—	—	3.80	—
YZT36B21S	YPLC100C16MP13C	21.0	CF/CM/CU60D	2	1150	35.8	28.0	—	14.00	35.2	22.4	10.00	8.65	4.18	2.82
YZT36B21S	YPLC100C16MP13C	21.0	XAF/XAUC48F	1	850	28.4	19.7	17.00	23.85	24.0	—	—	—	3.28	—
YZT36B21S	YPLC100C16MP13C	21.0	XAF/XAUC48F	2	1275	34.4	23.0	—	13.00	34.6	22.4	8.55	6.95	3.68	2.44
YZT36B21S	YPLC100C16MP13C	21.0	XAF/XAUC60G	1	850	29.4	20.6	17.50	24.75	23.8	—	—	—	3.30	—
YZT36B21S	YPLC100C16MP13C	21.0	XAF/XAUC60G	2	1275	35.0	23.6	—	13.00	34.0	21.6	8.55	6.80	3.66	2.42
YZT36B21S	YPLC100C16MP13C	24.5	XAF/XAUD60G	1	850	29.4	20.6	17.50	24.65	23.8	—	—	—	3.30	—
YZT36B21S	YPLC100C16MP13C	24.5	XAF/XAUD60G	2	1275	35.0	23.6	—	13.00	34.0	21.6	8.55	6.70	3.66	2.42
YZT36B21S	YPLC100C16MP13C	21.0	XAFC36D	1	975	29.6	21.8	17.00	24.00	24.4	—	—	—	3.40	—
YZT36B21S	YPLC100C16MP13C	21.0	XAFC36D	2	1425	34.4	23.4	—	12.00	34.6	22.8	8.55	6.75	3.56	2.38
YZT36B21S	YPLC100C16MP13C	24.5	XAFD48F	1	850	28.4	19.7	17.00	23.85	24.0	—	—	—	3.28	—
YZT36B21S	YPLC100C16MP13C	24.5	XAFD48F	2	1275	34.4	23.0	—	13.00	34.6	22.4	8.55	6.95	3.70	2.44
YZT36B21S	YPLC100C16MP13C	21.0	XAHC36D	1	900	28.8	20.4	16.00	23.20	23.8	—	—	—	3.22	—
YZT36B21S	YPLC100C16MP13C	21.0	XAHC36D	2	1425	34.8	23.2	—	12.00	34.8	22.4	8.20	6.55	3.50	2.28
YZT36B21S	YPLC100C16MP13C	21.0	XAHC48F	1	900	28.8	20.4	17.50	24.20	24.4	—	—	—	3.40	—
YZT36B21S	YPLC100C16MP13C	21.0	XAHC48F	2	1425	34.6	23.6	—	12.50	34.8	21.8	8.55	6.65	3.66	2.40
YZT36B21S	YPLC100C16MP13C	21.0	XAHC60G	1	850	29.0	20.4	17.50	24.80	23.8	—	—	—	3.32	—
YZT36B21S	YPLC100C16MP13C	21.0	XAHC60G	2	1275	34.8	24.0	—	13.00	34.0	22.0	8.55	6.90	3.66	2.48
YZT36B21S	YPLC100C16MP13C	24.5	XAHD48F	1	975	29.2	21.0	17.00	23.80	24.8	—	—	—	3.50	—
YZT36B21S	YPLC100C16MP13C	24.5	XAHD48F	2	1425	34.6	23.6	—	12.50	34.8	21.8	8.55	6.85	3.66	2.40
YZT36B21S	YPLC100C16MP13C	21.0	XAHD60G	1	850	29.0	20.4	17.00	24.25	23.8	—	—	—	3.30	—
YZT36B21S	YPLC100C16MP13C	21.0	XAHD60G	2	1275	34.6	23.8	—	12.50	34.2	22.2	8.55	6.90	3.64	2.46
YZT36B21S	YPLC100C20MP13C	21.0	CF/CM/CU36C	1	800	28.0	20.8	17.00	25.10	28.6	—	—	—	4.72	—
YZT36B21S	YPLC100C20MP13C	21.0	CF/CM/CU36C	2	1150	35.0	27.6	—	13.00	35.0	21.8	9.50	8.45	4.20	2.68
YZT36B21S	YPLC100C20MP13C	21.0	CF/CM/CU42C	1	800	28.8	21.2	18.00	25.65	28.2	—	—	—	3.76	—
YZT36B21S	YPLC100C20MP13C	21.0	CF/CM/CU42C	2	1150	34.4	27.4	—	13.00	35.4	21.8	9.50	8.20	3.86	2.68
YZT36B21S	YPLC100C20MP13C	21.0	CF/CM/CU42D	1	800	28.8	21.2	18.00	25.70	28.2	—	—	—	3.76	—
YZT36B21S	YPLC100C20MP13C	21.0	CF/CM/CU42D	2	1150	34.4	27.4	—	13.00	35.4	21.8	9.50	8.20	3.88	2.68
YZT36B21S	YPLC100C20MP13C	21.0	CF/CM/CU48C	1	800	29.4	21.4	18.00	26.65	24.2	—	—	—	3.54	—
YZT36B21S	YPLC100C20MP13C	21.0	CF/CM/CU48C	2	1150	35.8	27.8	—	14.00	35.6	21.8	9.00	8.15	3.94	2.68
YZT36B21S	YPLC100C20MP13C	21.0	CF/CM/CU48D	1	800	29.4	21.4	18.00	26.70	24.2	—	—	—	3.56	—
YZT36B21S	YPLC100C20MP13C	21.0	CF/CM/CU48D	2	1150	35.8	27.8	—	14.00	35.6	21.8	9.50	8.15	3.94	2.68
YZT36B21S	YPLC100C20MP13C	21.0	CF/CM/CU60C	1	800	29.6	21.4	18.00	26.85	24.0	—	—	—	3.82	—

SYSTEM CAPACITY — With High Efficiency Motor Furnaces<sup>1</sup> (Continued)

UNIT MODEL	FURNACE MODEL	WIDTH	COIL MODEL <sup>2</sup>	Stage	COOLING					HEATING					
					RATED CFM	NET MBH		SEER	EER	NET MBH		HSPF IV	HSPF V	COP	
						TOTAL	SENS.			47°F OD	17°F OD			47°F OD	17°F OD
YZT36B21S	YPLC100C20MP13C	21.0	CF/CM/CU60C	2	1150	35.8	28.0	—	14.00	35.0	22.4	10.00	8.65	4.20	2.82
YZT36B21S	YPLC100C20MP13C	21.0	CF/CM/CU60D	1	800	29.6	21.6	18.00	26.90	24.0	—	—	—	3.82	—
YZT36B21S	YPLC100C20MP13C	21.0	CF/CM/CU60D	2	1150	35.8	28.2	—	14.00	35.0	22.4	10.00	8.65	4.22	2.82
YZT36B21S	YPLC100C20MP13C	21.0	XAF/XAUC60G	1	925	30.0	21.6	18.00	25.30	24.0	—	—	—	3.44	—
YZT36B21S	YPLC100C20MP13C	21.0	XAF/XAUC60G	2	1375	35.4	23.8	—	13.00	34.0	21.6	8.55	6.75	3.74	2.46
YZT36B21S	YPLC100C20MP13C	21.0	XAHC48F	1	925	29.2	20.8	17.50	24.65	24.4	—	—	—	3.46	—
YZT36B21S	YPLC100C20MP13C	21.0	XAHC48F	2	1375	34.6	23.6	—	13.00	34.4	21.6	8.55	6.80	3.70	2.42
YZT36B21S	YPLC100C20MP13C	21.0	XAHC60G	1	900	29.4	21.0	18.00	25.25	23.8	—	—	—	3.42	—
YZT36B21S	YPLC100C20MP13C	21.0	XAHC60G	2	1325	35.0	24.0	—	13.00	34.0	22.0	8.75	7.10	3.74	2.50
YZT36B21S	YPLC120C20MP13C	21.0	CF/CM/CU36C	1	800	28.0	20.8	17.00	25.10	28.6	—	—	—	4.72	—
YZT36B21S	YPLC120C20MP13C	21.0	CF/CM/CU36C	2	1150	35.0	27.6	—	13.00	35.0	21.8	9.50	8.45	4.20	2.68
YZT36B21S	YPLC120C20MP13C	21.0	CF/CM/CU42C	1	800	28.8	21.2	18.00	25.65	28.2	—	—	—	3.76	—
YZT36B21S	YPLC120C20MP13C	21.0	CF/CM/CU42C	2	1150	34.4	27.4	—	13.00	35.4	21.8	9.50	8.20	3.86	2.68
YZT36B21S	YPLC120C20MP13C	21.0	CF/CM/CU42D	1	800	28.8	21.2	18.00	25.70	28.2	—	—	—	3.76	—
YZT36B21S	YPLC120C20MP13C	21.0	CF/CM/CU42D	2	1150	34.4	27.4	—	13.00	35.4	21.8	9.50	8.20	3.88	2.68
YZT36B21S	YPLC120C20MP13C	21.0	CF/CM/CU48C	1	800	29.4	21.4	18.00	26.65	24.2	—	—	—	3.54	—
YZT36B21S	YPLC120C20MP13C	21.0	CF/CM/CU48C	2	1150	35.8	27.8	—	14.00	35.6	21.8	9.00	8.15	3.94	2.68
YZT36B21S	YPLC120C20MP13C	21.0	CF/CM/CU48D	1	800	29.4	21.4	18.00	26.70	24.2	—	—	—	3.56	—
YZT36B21S	YPLC120C20MP13C	21.0	CF/CM/CU48D	2	1150	35.8	27.8	—	14.00	35.6	21.8	9.50	8.15	3.94	2.68
YZT36B21S	YPLC120C20MP13C	21.0	CF/CM/CU60C	1	800	29.6	21.4	18.00	26.85	24.0	—	—	—	3.82	—
YZT36B21S	YPLC120C20MP13C	21.0	CF/CM/CU60C	2	1150	35.8	28.0	—	14.00	35.0	22.4	10.00	8.65	4.20	2.82
YZT36B21S	YPLC120C20MP13C	21.0	CF/CM/CU60D	1	800	29.6	21.6	18.00	26.90	24.0	—	—	—	3.82	—
YZT36B21S	YPLC120C20MP13C	21.0	CF/CM/CU60D	2	1150	35.8	28.2	—	14.00	35.0	22.4	10.00	8.65	4.22	2.82
YZT36B21S	YPLC120C20MP13C	21.0	XAF/XAUC60G	1	925	30.0	21.6	18.00	25.30	24.0	—	—	—	3.44	—
YZT36B21S	YPLC120C20MP13C	21.0	XAF/XAUC60G	2	1375	35.4	23.8	—	13.00	34.0	21.6	8.55	6.75	3.74	2.46
YZT36B21S	YPLC120C20MP13C	21.0	XAHC48F	1	925	29.2	20.8	17.50	24.65	24.4	—	—	—	3.46	—
YZT36B21S	YPLC120C20MP13C	21.0	XAHC48F	2	1375	34.6	23.6	—	13.00	34.4	21.6	8.55	6.80	3.70	2.42
YZT36B21S	YPLC120C20MP13C	21.0	XAHC60G	1	900	29.4	21.0	18.00	25.25	23.8	—	—	—	3.42	—
YZT36B21S	YPLC120C20MP13C	21.0	XAHC60G	2	1325	35.0	24.0	—	13.00	34.0	22.0	8.75	7.10	3.74	2.50
YZT48B21S	TL8E080C16UH11	21.0	XAHC60H	1	1175	40.5	28.8	17.00	24.25	33.4	—	—	—	4.62	—
YZT48B21S	TL8E080C16UH11	21.0	XAHC60H	2	1400	46.5	32.4	—	12.50	46.5	30.2	9.00	7.20	3.64	2.68
YZT48B21S	TL8E080C16UH11	24.5	XAHD60H	1	975	39.0	26.4	17.00	24.20	31.4	—	—	—	3.58	—
YZT48B21S	TL8E080C16UH11	24.5	XAHD60H	2	1250	46.5	32.6	—	13.00	46.5	30.0	8.55	7.20	3.60	2.68
YZT48B21S	TL8E100C20UH11	21.0	XAFC60H	1	1275	39.5	30.2	16.00	23.20	32.0	—	—	—	3.64	—
YZT48B21S	TL8E100C20UH11	21.0	XAFC60H	2	1600	45.5	31.4	—	12.00	45.5	28.4	8.55	7.10	3.56	2.58
YZT48B21S	TL8E100C20UH11	21.0	XAHC60H	1	1125	40.5	28.6	17.00	25.00	32.8	—	—	—	4.38	—
YZT48B21S	TL8E100C20UH11	21.0	XAHC60H	2	1400	47.0	33.0	—	13.00	46.5	30.0	9.00	7.20	3.68	2.70

SYSTEM CAPACITY — With High Efficiency Motor Furnaces<sup>1</sup> (Continued)

UNIT MODEL	FURNACE MODEL	WIDTH	COIL MODEL <sup>2</sup>	Stage	COOLING					HEATING					
					RATED CFM	NET MBH		SEER	EER	NET MBH		HSPF IV	HSPF V	COP	
						TOTAL	SENS.			47°F OD	17°F OD			47°F OD	17°F OD
YZT48B21S	TL8E100C20UH11	24.5	XAHD60H	1	1075	40.0	27.8	17.00	24.60	32.4	—	—	—	4.08	—
YZT48B21S	TL8E100C20UH11	24.5	XAHD60H	2	1400	47.0	33.0	—	13.00	46.5	30.0	9.00	7.45	3.68	2.70
YZT48B21S	TL9E080C16UH11	21.0	XAHC60H	1	1100	40.0	28.0	16.00	23.75	32.8	—	—	—	4.14	—
YZT48B21S	TL9E080C16UH11	21.0	XAHC60H	2	1250	46.5	32.6	—	13.00	46.5	30.0	9.00	7.50	3.60	2.68
YZT48B21S	TL9E080C16UH11	24.5	XAHD60H	1	925	38.5	25.6	16.00	24.05	31.0	—	—	—	3.38	—
YZT48B21S	TL9E080C16UH11	24.5	XAHD60H	2	1225	46.0	31.4	—	13.00	46.5	30.0	8.55	6.85	3.58	2.66
YZT48B21S	TL9E100C20UH11	21.0	XAHC60H	1	1175	40.5	28.8	17.00	24.60	33.4	—	—	—	4.66	—
YZT48B21S	TL9E100C20UH11	21.0	XAHC60H	2	1425	47.0	33.0	—	13.00	46.5	30.0	9.00	7.30	3.68	2.70
YZT48B21S	TL9E100C20UH11	24.5	XAHD60H	1	1150	40.5	28.6	17.00	24.35	33.2	—	—	—	4.48	—
YZT48B21S	TL9E100C20UH11	24.5	XAHD60H	2	1400	47.0	33.0	—	13.00	46.5	30.2	9.00	7.20	3.66	2.70
YZT48B21S	TM8E080C16MP11	21.0	XAHC60H	1	1175	40.5	28.8	17.00	24.60	33.4	—	—	—	4.64	—
YZT48B21S	TM8E080C16MP11	21.0	XAHC60H	2	1575	47.0	32.6	—	12.50	47.5	30.6	9.00	7.20	3.66	2.64
YZT48B21S	TM8E080C16MP11	24.5	XAHD60H	1	1100	40.0	28.0	16.00	23.95	32.8	—	—	—	4.16	—
YZT48B21S	TM8E080C16MP11	24.5	XAHD60H	2	1250	46.5	32.0	—	13.00	46.0	30.0	9.00	7.30	3.62	2.68
YZT48B21S	TM8E080C20MP11	21.0	XAFC60H	1	1300	39.5	30.4	16.00	23.35	32.2	—	—	—	3.68	—
YZT48B21S	TM8E080C20MP11	21.0	XAFC60H	2	1750	46.0	31.6	—	12.00	46.0	29.0	8.55	7.10	3.58	2.56
YZT48B21S	TM8E080C20MP11	21.0	XAHC60H	1	1300	41.5	30.4	17.00	24.55	34.6	—	—	—	5.56	—
YZT48B21S	TM8E080C20MP11	21.0	XAHC60H	2	1550	47.0	32.6	—	12.50	47.0	30.4	9.50	7.70	3.72	2.68
YZT48B21S	TM8E080C20MP11	24.5	XAHD60H	1	1275	41.0	29.8	17.00	24.35	34.4	—	—	—	5.32	—
YZT48B21S	TM8E080C20MP11	24.5	XAHD60H	2	1550	47.0	32.6	—	12.50	47.0	30.4	9.50	7.75	3.70	2.68
YZT48B21S	TM8E100C16MP11	21.0	XAHC60H	1	1175	40.5	28.8	17.00	24.45	33.4	—	—	—	4.64	—
YZT48B21S	TM8E100C16MP11	21.0	XAHC60H	2	1575	47.0	32.6	—	12.50	47.5	30.6	9.00	7.20	3.66	2.64
YZT48B21S	TM8E100C16MP11	24.5	XAHD60H	1	1150	40.5	28.6	16.00	24.20	33.2	—	—	—	4.46	—
YZT48B21S	TM8E100C16MP11	24.5	XAHD60H	2	1575	47.0	32.0	—	12.50	47.5	30.6	9.00	6.85	3.66	2.64
YZT48B21S	TM8E100C20MP11	21.0	XAFC60H	1	1450	40.5	32.4	16.00	22.45	33.0	—	—	—	3.82	—
YZT48B21S	TM8E100C20MP11	21.0	XAFC60H	2	1725	45.5	31.2	—	12.00	46.0	29.0	8.55	7.05	3.56	2.54
YZT48B21S	TM8E100C20MP11	21.0	XAHC60H	1	1300	41.5	30.4	17.00	24.55	34.6	—	—	—	5.56	—
YZT48B21S	TM8E100C20MP11	21.0	XAHC60H	2	1525	47.0	32.8	—	12.50	47.0	30.2	9.50	7.70	3.70	2.68
YZT48B21S	TM8E100C20MP11	24.5	XAHD60H	1	1250	41.0	29.8	16.00	24.15	34.2	—	—	—	5.12	—
YZT48B21S	TM8E100C20MP11	24.5	XAHD60H	2	1500	47.0	32.2	—	12.50	47.0	30.4	9.00	6.50	3.68	2.68
YZT48B21S	TM8E120C16MP11	21.0	XAHC60H	1	1175	40.5	28.8	17.00	24.45	33.4	—	—	—	4.64	—
YZT48B21S	TM8E120C16MP11	21.0	XAHC60H	2	1575	47.0	32.6	—	12.50	47.0	30.6	9.00	7.20	3.68	2.66
YZT48B21S	TM8E120C16MP11	24.5	XAHD60H	1	1150	40.5	28.6	16.00	24.25	33.2	—	—	—	4.46	—
YZT48B21S	TM8E120C16MP11	24.5	XAHD60H	2	1575	47.0	32.0	—	12.50	47.5	30.6	9.00	6.85	3.66	2.64
YZT48B21S	TM8E120C20MP11	21.0	XAFC60H	1	1325	39.5	30.6	16.00	23.20	32.2	—	—	—	3.70	—
YZT48B21S	TM8E120C20MP11	21.0	XAFC60H	2	1750	46.0	31.6	—	12.00	46.0	29.0	8.55	7.05	3.58	2.56
YZT48B21S	TM8E120C20MP11	21.0	XAHC60H	1	1325	41.5	30.6	17.00	24.35	34.8	—	—	—	5.74	—

**SYSTEM CAPACITY — With High Efficiency Motor Furnaces<sup>1</sup> (Continued)**

UNIT MODEL	FURNACE MODEL	WIDTH	COIL MODEL <sup>2</sup>	Stage	COOLING					HEATING					
					RATED CFM	NET MBH		SEER	EER	NET MBH		HSPF IV	HSPF V	COP	
						TOTAL	SENS.			47°F OD	17°F OD			47°F OD	17°F OD
YZT48B21S	TM8E120C20MP11	21.0	XAHC60H	2	1525	47.0	32.8	—	13.00	47.0	30.2	9.50	7.60	3.72	2.70
YZT48B21S	TM8E120C20MP11	24.5	XAHD60H	1	1300	41.5	30.4	16.00	24.15	34.6	—	—	—	5.50	—
YZT48B21S	TM8E120C20MP11	24.5	XAHD60H	2	1500	47.0	32.2	—	12.50	47.0	30.2	9.50	7.35	3.70	2.68
YZT48B21S	TM8E130D20MP11	24.5	XAHD60H	1	1300	41.5	30.4	16.00	24.25	34.6	—	—	—	5.52	—
YZT48B21S	TM8E130D20MP11	24.5	XAHD60H	2	1625	47.0	32.0	—	12.50	47.0	30.4	9.50	7.35	3.72	2.68
YZT48B21S	TM8V080C16MP12C	21.0	CF/CM64D	1	875	36.2	25.0	16.50	23.30	30.4	—	—	—	3.42	—
YZT48B21S	TM8V080C16MP12C	21.0	CF/CM64D	2	1375	46.0	34.4	—	12.50	47.0	30.8	9.00	8.40	3.94	2.90
YZT48B21S	TM8V080C16MP12C	21.0	XAHC60H	1	1000	39.5	26.8	17.00	24.55	31.6	—	—	—	3.72	—
YZT48B21S	TM8V080C16MP12C	21.0	XAHC60H	2	1425	46.5	32.4	—	12.50	46.5	30.2	8.55	7.05	3.66	2.68
YZT48B21S	TM8V080C16MP12C	24.5	XAHD60H	1	975	39.0	26.4	17.00	24.20	31.4	—	—	—	3.60	—
YZT48B21S	TM8V080C16MP12C	24.5	XAHD60H	2	1425	46.5	32.4	—	12.50	47.0	30.4	8.55	7.20	3.64	2.66
YZT48B21S	TM8V100C16MP12C	21.0	CF/CM64D	1	875	36.2	25.0	16.50	23.30	30.4	—	—	—	3.42	—
YZT48B21S	TM8V100C16MP12C	21.0	CF/CM64D	2	1375	46.0	34.4	—	12.50	47.0	30.8	9.00	8.40	3.94	2.90
YZT48B21S	TM8V100C16MP12C	21.0	XAHC60H	1	1000	39.5	26.8	17.00	24.55	31.6	—	—	—	3.72	—
YZT48B21S	TM8V100C16MP12C	21.0	XAHC60H	2	1425	46.5	32.4	—	12.50	46.5	30.2	8.55	7.05	3.66	2.68
YZT48B21S	TM8V100C16MP12C	24.5	XAHD60H	1	975	39.0	26.4	17.00	24.20	31.4	—	—	—	3.60	—
YZT48B21S	TM8V100C16MP12C	24.5	XAHD60H	2	1425	46.5	32.4	—	12.50	47.0	30.4	8.55	7.20	3.64	2.66
YZT48B21S	TM8V100C20MP12C	21.0	CF/CM64D	1	925	36.4	25.6	17.00	23.65	30.4	—	—	—	3.50	—
YZT48B21S	TM8V100C20MP12C	21.0	CF/CM64D	2	1375	46.5	35.0	—	13.00	46.5	30.6	9.60	8.50	4.00	2.92
YZT48B21S	TM8V100C20MP12C	21.0	XAFC60H	1	1225	39.0	29.4	16.00	23.40	31.8	—	—	—	3.62	—
YZT48B21S	TM8V100C20MP12C	21.0	XAFC60H	2	1775	46.0	31.6	—	11.50	46.0	29.0	8.55	7.10	3.58	2.56
YZT48B21S	TM8V100C20MP12C	21.0	XAHC60H	1	1075	40.0	27.8	17.00	25.00	32.2	—	—	—	4.12	—
YZT48B21S	TM8V100C20MP12C	21.0	XAHC60H	2	1550	47.0	32.6	—	12.50	47.0	30.2	9.00	7.35	3.72	2.70
YZT48B21S	TM8V100C20MP12C	24.5	XAHD60H	1	1225	41.0	29.6	17.00	24.50	33.8	—	—	—	5.00	—
YZT48B21S	TM8V100C20MP12C	24.5	XAHD60H	2	1775	47.5	32.6	—	12.00	48.0	31.0	9.00	7.20	3.72	2.64
YZT48B21S	TM8V120C20MP12C	21.0	CF/CM64D	1	925	36.4	25.6	17.00	23.65	30.4	—	—	—	3.50	—
YZT48B21S	TM8V120C20MP12C	21.0	CF/CM64D	2	1375	46.5	35.0	—	13.00	46.5	30.6	9.60	8.50	4.00	2.92
YZT48B21S	TM8V120C20MP12C	21.0	XAFC60H	1	1225	39.0	29.4	16.00	23.40	31.8	—	—	—	3.62	—
YZT48B21S	TM8V120C20MP12C	21.0	XAFC60H	2	1775	46.0	31.6	—	11.50	46.0	29.0	8.55	7.10	3.58	2.56
YZT48B21S	TM8V120C20MP12C	21.0	XAHC60H	1	1075	40.0	27.8	17.00	25.00	32.2	—	—	—	4.12	—
YZT48B21S	TM8V120C20MP12C	21.0	XAHC60H	2	1550	47.0	32.6	—	12.50	47.0	30.2	9.00	7.35	3.72	2.70
YZT48B21S	TM8V120C20MP12C	24.5	XAHD60H	1	1225	41.0	29.6	17.00	24.50	33.8	—	—	—	5.00	—
YZT48B21S	TM8V120C20MP12C	24.5	XAHD60H	2	1775	47.5	32.6	—	12.00	48.0	31.0	9.00	7.20	3.72	2.64
YZT48B21S	TM8X080C16MP11	21.0	CF/CM64D	1	1400	38.5	32.0	15.50	21.50	31.6	—	—	—	3.62	—
YZT48B21S	TM8X080C16MP11	21.0	CF/CM64D	2	1525	46.5	36.4	—	12.25	48.0	31.4	9.00	8.35	3.90	2.82
YZT48B21S	TM8X100C16MP11	21.0	CF/CM64D	1	1400	38.5	32.0	15.50	21.50	31.6	—	—	—	3.62	—
YZT48B21S	TM8X100C16MP11	21.0	CF/CM64D	2	1525	46.5	36.4	—	12.25	48.0	31.4	9.00	8.35	3.90	2.82



SYSTEM CAPACITY — With High Efficiency Motor Furnaces<sup>1</sup> (Continued)

UNIT MODEL	FURNACE MODEL	WIDTH	COIL MODEL <sup>2</sup>	Stage	COOLING					HEATING					
					RATED CFM	NET MBH		SEER	EER	NET MBH		HSPF IV	HSPF V	COP	
						TOTAL	SENS.			47°F OD	17°F OD			47°F OD	17°F OD
YZT48B21S	TM8X100C20MP11	21.0	CF/CM64D	1	1250	38.0	29.8	16.50	23.20	30.8	—	—	—	3.70	—
YZT48B21S	TM8X100C20MP11	21.0	CF/CM64D	2	1375	46.5	35.0	—	12.50	46.5	30.8	9.00	8.55	4.00	2.92
YZT48B21S	TM8X120C20MP11	21.0	CF/CM64D	1	1250	38.0	29.8	16.50	23.20	30.8	—	—	—	3.70	—
YZT48B21S	TM8X120C20MP11	21.0	CF/CM64D	2	1375	46.5	35.0	—	12.50	46.5	30.8	9.00	8.55	4.00	2.92
YZT48B21S	TM8Y080C16MP11	21.0	CF/CM64D	1	1400	38.5	32.0	15.50	21.50	31.6	—	—	—	3.62	—
YZT48B21S	TM8Y080C16MP11	21.0	CF/CM64D	2	1525	46.5	36.4	—	12.25	48.0	31.4	9.00	8.35	3.90	2.82
YZT48B21S	TM8Y080C16MP11	21.0	XAHC60H	1	1175	40.5	28.8	17.00	24.05	33.4	—	—	—	4.60	—
YZT48B21S	TM8Y080C16MP11	21.0	XAHC60H	2	1375	46.5	32.4	—	13.00	46.5	30.2	9.00	7.20	3.64	2.68
YZT48B21S	TM8Y080C16MP11	24.5	XAHD60H	1	1175	40.5	28.8	16.00	23.95	33.4	—	—	—	4.58	—
YZT48B21S	TM8Y080C16MP11	24.5	XAHD60H	2	1350	46.5	31.8	—	13.00	46.5	30.2	9.00	6.75	3.64	2.68
YZT48B21S	TM8Y100C16MP11	21.0	CF/CM64D	1	1400	38.5	32.0	15.50	21.50	31.6	—	—	—	3.62	—
YZT48B21S	TM8Y100C16MP11	21.0	CF/CM64D	2	1525	46.5	36.4	—	12.25	48.0	31.4	9.00	8.35	3.90	2.82
YZT48B21S	TM8Y100C16MP11	21.0	XAHC60H	1	1200	40.5	29.0	17.00	24.25	33.6	—	—	—	4.78	—
YZT48B21S	TM8Y100C16MP11	21.0	XAHC60H	2	1375	46.5	32.4	—	13.00	46.5	30.2	9.00	7.30	3.66	2.68
YZT48B21S	TM8Y100C16MP11	24.5	XAHD60H	1	1175	40.5	28.8	16.00	23.95	33.4	—	—	—	4.58	—
YZT48B21S	TM8Y100C16MP11	24.5	XAHD60H	2	1350	46.5	31.8	—	13.00	46.5	30.2	9.00	6.75	3.64	2.68
YZT48B21S	TM8Y100C20MP11	21.0	CF/CM64D	1	1250	38.0	29.8	16.50	23.20	30.8	—	—	—	3.70	—
YZT48B21S	TM8Y100C20MP11	21.0	CF/CM64D	2	1375	46.5	35.0	—	12.50	46.5	30.8	9.00	8.55	4.00	2.92
YZT48B21S	TM8Y100C20MP11	21.0	XAHC60H	1	1075	40.0	27.8	17.00	24.90	32.2	—	—	—	4.10	—
YZT48B21S	TM8Y100C20MP11	21.0	XAHC60H	2	1375	47.0	33.0	—	13.00	46.5	30.0	9.00	7.45	3.68	2.70
YZT48B21S	TM8Y100C20MP11	24.5	XAHD60H	1	1250	41.0	29.8	17.00	24.35	34.2	—	—	—	5.14	—
YZT48B21S	TM8Y100C20MP11	24.5	XAHD60H	2	1550	47.0	32.6	—	12.50	47.0	30.4	9.00	7.05	3.70	2.68
YZT48B21S	TM8Y120C20MP11	21.0	CF/CM64D	1	1250	38.0	29.8	16.50	23.20	30.8	—	—	—	3.70	—
YZT48B21S	TM8Y120C20MP11	21.0	CF/CM64D	2	1375	46.5	35.0	—	12.50	46.5	30.8	9.00	8.55	4.00	2.92
YZT48B21S	TM8Y120C20MP11	21.0	XAHC60H	1	1075	40.0	27.8	17.00	24.90	32.2	—	—	—	4.10	—
YZT48B21S	TM8Y120C20MP11	21.0	XAHC60H	2	1375	47.0	33.0	—	13.00	46.5	30.0	9.00	7.45	3.68	2.70
YZT48B21S	TM8Y120C20MP11	24.5	XAHD60H	1	1250	41.0	29.8	17.00	24.35	34.2	—	—	—	5.14	—
YZT48B21S	TM8Y120C20MP11	24.5	XAHD60H	2	1550	47.0	32.6	—	12.50	47.0	30.4	9.00	7.05	3.70	2.68
YZT48B21S	TM9E080C16MP12	21.0	XAHC60H	1	975	39.0	26.4	17.00	24.40	31.4	—	—	—	3.60	—
YZT48B21S	TM9E080C16MP12	21.0	XAHC60H	2	1275	46.5	32.6	—	13.00	46.5	30.0	8.55	7.20	3.62	2.68
YZT48B21S	TM9E080C16MP12	24.5	XAHD60H	1	925	38.5	25.6	17.00	24.00	31.0	—	—	—	3.36	—
YZT48B21S	TM9E080C16MP12	24.5	XAHD60H	2	1250	46.0	32.2	—	13.00	46.5	30.0	8.55	7.15	3.58	2.68
YZT48B21S	TM9E080C20MP12	21.0	XAFC60H	1	1450	40.5	32.4	16.00	22.60	32.8	—	—	—	3.82	—
YZT48B21S	TM9E080C20MP12	21.0	XAFC60H	2	1750	46.0	31.6	—	12.00	46.0	29.0	8.55	7.05	3.56	2.56
YZT48B21S	TM9E080C20MP12	21.0	XAHC60H	1	1275	41.0	29.8	17.00	24.50	34.4	—	—	—	5.34	—
YZT48B21S	TM9E080C20MP12	21.0	XAHC60H	2	1525	47.0	32.8	—	12.50	47.0	30.2	9.50	7.75	3.72	2.70
YZT48B21S	TM9E080C20MP12	24.5	XAHD60H	1	1225	41.0	29.6	17.00	24.05	34.0	—	—	—	4.92	—

**SYSTEM CAPACITY — With High Efficiency Motor Furnaces<sup>1</sup> (Continued)**

UNIT MODEL	FURNACE MODEL	WIDTH	COIL MODEL <sup>2</sup>	Stage	COOLING					HEATING					
					RATED CFM	NET MBH		SEER	EER	NET MBH		HSPF IV	HSPF V	COP	
						TOTAL	SENS.			47°F OD	17°F OD			47°F OD	17°F OD
YZT48B21S	TM9E080C20MP12	24.5	XAHD60H	2	1400	47.0	33.0	—	13.00	46.5	30.0	9.00	7.25	3.68	2.70
YZT48B21S	TM9E100C16MP11	21.0	CF/CM64D	1	1275	38.0	30.0	15.50	21.80	31.2	—	—	—	3.60	—
YZT48B21S	TM9E100C16MP11	21.0	CF/CM64D	2	1375	46.0	34.6	—	12.25	47.0	31.0	9.00	8.40	3.90	2.86
YZT48B21S	TM9E100C16MP12	21.0	XAHC60H	1	1100	40.0	28.0	17.00	24.05	32.8	—	—	—	4.16	—
YZT48B21S	TM9E100C16MP12	21.0	XAHC60H	2	1275	46.5	32.6	—	13.00	46.5	30.0	9.00	7.55	3.62	2.68
YZT48B21S	TM9E100C16MP12	24.5	XAHD60H	1	950	39.0	26.2	17.00	24.00	31.2	—	—	—	3.46	—
YZT48B21S	TM9E100C16MP12	24.5	XAHD60H	2	1250	46.0	32.2	—	13.00	46.5	30.0	8.55	7.10	3.60	2.68
YZT48B21S	TM9E100C20MP11	21.0	CF/CM64D	1	1200	37.6	29.2	16.00	22.60	31.0	—	—	—	3.62	—
YZT48B21S	TM9E100C20MP11	21.0	CF/CM64D	2	1350	46.0	34.2	—	12.50	47.0	30.8	9.00	8.45	3.94	2.90
YZT48B21S	TM9E100C20MP12	21.0	XAFC60H	1	1450	40.5	32.4	16.00	22.70	32.8	—	—	—	3.82	—
YZT48B21S	TM9E100C20MP12	21.0	XAFC60H	2	1700	45.5	31.2	—	12.00	46.0	28.8	8.55	7.05	3.56	2.56
YZT48B21S	TM9E100C20MP12	21.0	XAHC60H	1	1275	41.0	29.8	17.00	24.55	34.4	—	—	—	5.36	—
YZT48B21S	TM9E100C20MP12	21.0	XAHC60H	2	1525	47.0	32.8	—	12.50	47.0	30.2	9.50	7.75	3.72	2.70
YZT48B21S	TM9E100C20MP12	24.5	XAHD60H	1	1225	41.0	29.6	17.00	24.20	34.0	—	—	—	4.94	—
YZT48B21S	TM9E100C20MP12	24.5	XAHD60H	2	1500	47.0	32.8	—	12.50	47.0	30.2	9.00	7.25	3.70	2.68
YZT48B21S	TM9E120D20MP11	24.5	CF/CM64D	1	1250	38.0	30.0	16.00	23.00	30.8	—	—	—	3.68	—
YZT48B21S	TM9E120D20MP11	24.5	CF/CM64D	2	1375	46.5	35.0	—	12.50	47.0	30.8	9.00	8.50	3.98	2.92
YZT48B21S	TM9E120D20MP12	24.5	XAHD60H	1	1250	41.0	29.8	16.00	24.05	34.2	—	—	—	5.10	—
YZT48B21S	TM9E120D20MP12	24.5	XAHD60H	2	1600	47.0	32.6	—	12.50	47.5	30.6	9.00	7.10	3.70	2.66
YZT48B21S	TM9V080C16MP12C	21.0	CF/CM64D	1	900	35.6	25.0	16.00	22.80	30.6	—	—	—	3.44	—
YZT48B21S	TM9V080C16MP12C	21.0	CF/CM64D	2	1375	46.0	34.6	—	12.50	47.0	31.0	9.00	8.35	3.90	2.86
YZT48B21S	TM9V080C16MP12C	21.0	XAHC60H	1	950	39.0	26.2	17.00	24.35	31.2	—	—	—	3.50	—
YZT48B21S	TM9V080C16MP12C	21.0	XAHC60H	2	1475	46.5	32.4	—	12.50	47.0	30.6	8.55	6.95	3.62	2.64
YZT48B21S	TM9V080C16MP12C	24.5	XAHD60H	1	900	38.5	25.4	16.00	23.90	30.8	—	—	—	3.28	—
YZT48B21S	TM9V080C16MP12C	24.5	XAHD60H	2	1375	46.5	32.4	—	12.50	47.0	30.4	8.55	7.20	3.60	2.64
YZT48B21S	TM9V100C16MP12C	21.0	CF/CM64D	1	975	36.8	26.4	16.50	23.35	31.0	—	—	—	3.50	—
YZT48B21S	TM9V100C16MP12C	21.0	CF/CM64D	2	1425	46.5	35.4	—	12.50	47.5	31.2	9.00	8.35	3.92	2.86
YZT48B21S	TM9V100C16MP12C	21.0	XAHC60H	1	1100	40.0	28.0	17.00	24.65	32.6	—	—	—	4.24	—
YZT48B21S	TM9V100C16MP12C	21.0	XAHC60H	2	1600	47.0	32.6	—	12.00	47.5	30.6	9.00	7.30	3.68	2.66
YZT48B21S	TM9V100C16MP12C	24.5	XAHD60H	1	1125	40.0	28.0	16.00	24.20	32.8	—	—	—	4.34	—
YZT48B21S	TM9V100C16MP12C	24.5	XAHD60H	2	1600	47.0	32.6	—	12.00	47.5	30.6	9.00	7.30	3.66	2.64
YZT48B21S	TM9V100C20MP12C	21.0	CF/CM64D	1	825	35.6	24.0	16.50	23.20	30.4	—	—	—	3.32	—
YZT48B21S	TM9V100C20MP12C	21.0	CF/CM64D	2	1350	46.0	34.2	—	12.50	47.0	30.8	9.00	8.40	3.94	2.90
YZT48B21S	TM9V100C20MP12C	21.0	XAHC60H	1	900	38.5	25.4	17.00	24.70	30.6	—	—	—	3.32	—
YZT48B21S	TM9V100C20MP12C	21.0	XAHC60H	2	1475	47.0	32.8	—	12.50	47.0	30.2	8.55	7.05	3.68	2.68
YZT48B21S	TM9V100C20MP12C	24.5	XAHD60H	1	975	39.0	26.4	17.00	24.30	31.4	—	—	—	3.60	—
YZT48B21S	TM9V100C20MP12C	24.5	XAHD60H	2	1600	47.0	32.6	—	12.00	47.5	30.6	8.55	7.15	3.68	2.64

SYSTEM CAPACITY — With High Efficiency Motor Furnaces<sup>1</sup> (Continued)

UNIT MODEL	FURNACE MODEL	WIDTH	COIL MODEL <sup>2</sup>	Stage	COOLING					HEATING					
					RATED CFM	NET MBH		SEER	EER	NET MBH		HSPF IV	HSPF V	COP	
						TOTAL	SENS.			47°F OD	17°F OD			47°F OD	17°F OD
YZT48B21S	TM9V120D20MP12C	24.5	CF/CM64D	1	900	36.4	25.4	17.00	23.50	30.6	—	—	—	3.46	—
YZT48B21S	TM9V120D20MP12C	24.5	CF/CM64D	2	1400	46.5	35.2	—	13.00	46.5	30.8	9.60	8.45	4.00	2.92
YZT48B21S	TM9V120D20MP12C	24.5	XAHD60H	1	1125	40.0	28.0	17.00	24.65	32.8	—	—	—	4.38	—
YZT48B21S	TM9V120D20MP12C	24.5	XAHD60H	2	1800	47.5	32.6	—	12.00	48.0	31.0	9.00	7.25	3.74	2.64
YZT48B21S	TM9Y100C16MP11	21.0	CF/CM64D	1	1275	38.0	30.0	15.50	21.80	31.2	—	—	—	3.60	—
YZT48B21S	TM9Y100C16MP11	21.0	CF/CM64D	2	1375	46.0	34.6	—	12.25	47.0	31.0	9.00	8.40	3.90	2.86
YZT48B21S	TM9Y100C16MP11	21.0	XAHC60H	1	1175	40.5	28.8	16.00	23.80	33.6	—	—	—	4.56	—
YZT48B21S	TM9Y100C16MP11	21.0	XAHC60H	2	1400	46.5	32.4	—	12.50	47.0	30.4	9.00	7.25	3.62	2.66
YZT48B21S	TM9Y100C16MP11	24.5	XAHD60H	1	1150	40.0	28.2	16.00	23.55	33.4	—	—	—	4.40	—
YZT48B21S	TM9Y100C16MP11	24.5	XAHD60H	2	1400	46.5	32.4	—	12.50	47.0	30.4	9.00	7.45	3.60	2.64
YZT48B21S	TM9Y100C20MP11	21.0	CF/CM64D	1	1200	37.6	29.2	16.00	22.60	31.0	—	—	—	3.62	—
YZT48B21S	TM9Y100C20MP11	21.0	CF/CM64D	2	1350	46.0	34.2	—	12.50	47.0	30.8	9.00	8.45	3.94	2.90
YZT48B21S	TM9Y100C20MP11	21.0	XAHC60H	1	1225	41.0	29.6	16.00	24.05	34.0	—	—	—	4.92	—
YZT48B21S	TM9Y100C20MP11	21.0	XAHC60H	2	1550	47.0	32.6	—	12.50	47.0	30.6	9.00	7.30	3.66	2.66
YZT48B21S	TM9Y100C20MP11	24.5	XAHD60H	1	1200	40.5	29.0	16.00	23.80	33.8	—	—	—	4.72	—
YZT48B21S	TM9Y100C20MP11	24.5	XAHD60H	2	1525	47.0	32.8	—	12.50	47.0	30.6	9.00	7.20	3.64	2.64
YZT48B21S	TM9Y120D20MP11	24.5	CF/CM64D	1	1250	38.0	30.0	16.00	23.00	30.8	—	—	—	3.68	—
YZT48B21S	TM9Y120D20MP11	24.5	CF/CM64D	2	1375	46.5	35.0	—	12.50	47.0	30.8	9.00	8.50	3.98	2.92
YZT48B21S	TM9Y120D20MP11	24.5	XAHD60H	1	1250	41.0	29.8	17.00	24.15	34.2	—	—	—	5.12	—
YZT48B21S	TM9Y120D20MP11	24.5	XAHD60H	2	1575	47.0	32.6	—	12.50	47.0	30.4	9.00	7.15	3.70	2.66
YZT48B21S	TMLE080C16MP11	21.0	XAHC60H	1	1175	40.5	28.8	17.00	24.60	33.4	—	—	—	4.64	—
YZT48B21S	TMLE080C16MP11	21.0	XAHC60H	2	1575	47.0	32.6	—	12.50	47.5	30.6	9.00	7.20	3.66	2.64
YZT48B21S	TMLE080C16MP11	24.5	XAHD60H	1	1100	40.0	28.0	16.00	23.95	32.8	—	—	—	4.16	—
YZT48B21S	TMLE080C16MP11	24.5	XAHD60H	2	1250	46.5	32.0	—	13.00	46.0	30.0	9.00	7.30	3.62	2.68
YZT48B21S	TMLE080C20MP11	21.0	XAFC60H	1	1300	39.5	30.4	16.00	23.35	32.2	—	—	—	3.68	—
YZT48B21S	TMLE080C20MP11	21.0	XAFC60H	2	1750	46.0	31.6	—	12.00	46.0	29.0	8.55	7.10	3.58	2.56
YZT48B21S	TMLE080C20MP11	21.0	XAHC60H	1	1300	41.5	30.4	17.00	24.55	34.6	—	—	—	5.56	—
YZT48B21S	TMLE080C20MP11	21.0	XAHC60H	2	1550	47.0	32.6	—	12.50	47.0	30.4	9.50	7.70	3.72	2.68
YZT48B21S	TMLE080C20MP11	24.5	XAHD60H	1	1275	41.0	29.8	17.00	24.35	34.4	—	—	—	5.32	—
YZT48B21S	TMLE080C20MP11	24.5	XAHD60H	2	1550	47.0	32.6	—	12.50	47.0	30.4	9.50	7.75	3.70	2.68
YZT48B21S	TMLE100C16MP11	21.0	XAHC60H	1	1175	40.5	28.8	17.00	24.45	33.4	—	—	—	4.64	—
YZT48B21S	TMLE100C16MP11	21.0	XAHC60H	2	1575	47.0	32.6	—	12.50	47.5	30.6	9.00	7.20	3.66	2.64
YZT48B21S	TMLE100C16MP11	24.5	XAHD60H	1	1150	40.5	28.6	16.00	24.20	33.2	—	—	—	4.46	—
YZT48B21S	TMLE100C16MP11	24.5	XAHD60H	2	1575	47.0	32.0	—	12.50	47.5	30.6	9.00	6.85	3.66	2.64
YZT48B21S	TMLE100C20MP11	21.0	XAFC60H	1	1450	40.5	32.4	16.00	22.45	33.0	—	—	—	3.82	—
YZT48B21S	TMLE100C20MP11	21.0	XAFC60H	2	1725	45.5	31.2	—	12.00	46.0	29.0	8.55	7.05	3.56	2.54
YZT48B21S	TMLE100C20MP11	21.0	XAHC60H	1	1300	41.5	30.4	17.00	24.55	34.6	—	—	—	5.56	—

SYSTEM CAPACITY — With High Efficiency Motor Furnaces<sup>1</sup> (Continued)

UNIT MODEL	FURNACE MODEL	WIDTH	COIL MODEL <sup>2</sup>	Stage	COOLING					HEATING					
					RATED CFM	NET MBH		SEER	EER	NET MBH		HSPF IV	HSPF V	COP	
						TOTAL	SENS.			47°F OD	17°F OD			47°F OD	17°F OD
YZT48B21S	TMLE100C20MP11	21.0	XAHC60H	2	1525	47.0	32.8	—	12.50	47.0	30.2	9.50	7.70	3.70	2.68
YZT48B21S	TMLE100C20MP11	24.5	XAHD60H	1	1250	41.0	29.8	16.00	24.15	34.2	—	—	—	5.12	—
YZT48B21S	TMLE100C20MP11	24.5	XAHD60H	2	1500	47.0	32.2	—	12.50	47.0	30.4	9.00	6.50	3.68	2.68
YZT48B21S	TMLE120C16MP11	21.0	XAHC60H	1	1175	40.5	28.8	17.00	24.45	33.4	—	—	—	4.64	—
YZT48B21S	TMLE120C16MP11	21.0	XAHC60H	2	1575	47.0	32.6	—	12.50	47.0	30.6	9.00	7.20	3.68	2.66
YZT48B21S	TMLE120C16MP11	24.5	XAHD60H	1	1150	40.5	28.6	16.00	24.25	33.2	—	—	—	4.46	—
YZT48B21S	TMLE120C16MP11	24.5	XAHD60H	2	1575	47.0	32.0	—	12.50	47.5	30.6	9.00	6.85	3.66	2.64
YZT48B21S	TMLE120C20MP11	21.0	XAFC60H	1	1325	39.5	30.6	16.00	23.20	32.2	—	—	—	3.70	—
YZT48B21S	TMLE120C20MP11	21.0	XAFC60H	2	1750	46.0	31.6	—	12.00	46.0	29.0	8.55	7.05	3.58	2.56
YZT48B21S	TMLE120C20MP11	21.0	XAHC60H	1	1325	41.5	30.6	17.00	24.35	34.8	—	—	—	5.74	—
YZT48B21S	TMLE120C20MP11	21.0	XAHC60H	2	1525	47.0	32.8	—	13.00	47.0	30.2	9.50	7.60	3.72	2.70
YZT48B21S	TMLE120C20MP11	24.5	XAHD60H	1	1300	41.5	30.4	16.00	24.15	34.6	—	—	—	5.50	—
YZT48B21S	TMLE120C20MP11	24.5	XAHD60H	2	1500	47.0	32.2	—	12.50	47.0	30.2	9.50	7.35	3.70	2.68
YZT48B21S	TMLE130D20MP11	24.5	XAHD60H	1	1300	41.5	30.4	16.00	24.25	34.6	—	—	—	5.52	—
YZT48B21S	TMLE130D20MP11	24.5	XAHD60H	2	1625	47.0	32.0	—	12.50	47.0	30.4	9.50	7.35	3.72	2.68
YZT48B21S	TMLV080C16MP12C	21.0	CF/CM64D	1	875	36.2	25.0	16.50	23.30	30.4	—	—	—	3.42	—
YZT48B21S	TMLV080C16MP12C	21.0	CF/CM64D	2	1375	46.0	34.4	—	12.50	47.0	30.8	9.00	8.40	3.94	2.90
YZT48B21S	TMLV100C16MP12C	21.0	CF/CM64D	1	875	36.2	25.0	16.50	23.30	30.4	—	—	—	3.42	—
YZT48B21S	TMLV100C16MP12C	21.0	CF/CM64D	2	1375	46.0	34.4	—	12.50	47.0	30.8	9.00	8.40	3.94	2.90
YZT48B21S	TMLV100C16MP12C	21.0	XAHC60H	1	1000	39.5	26.8	17.00	24.55	31.6	—	—	—	3.72	—
YZT48B21S	TMLV100C16MP12C	21.0	XAHC60H	2	1425	46.5	32.4	—	12.50	46.5	30.2	8.55	7.05	3.66	2.68
YZT48B21S	TMLV100C16MP12C	24.5	XAHD60H	1	975	39.0	26.4	17.00	24.20	31.4	—	—	—	3.60	—
YZT48B21S	TMLV100C16MP12C	24.5	XAHD60H	2	1425	46.5	32.4	—	12.50	47.0	30.4	8.55	7.20	3.64	2.66
YZT48B21S	TMLV100C20MP12C	21.0	CF/CM64D	1	925	36.4	25.6	17.00	23.65	30.4	—	—	—	3.50	—
YZT48B21S	TMLV100C20MP12C	21.0	CF/CM64D	2	1375	46.5	35.0	—	13.00	46.5	30.6	9.60	8.50	4.00	2.92
YZT48B21S	TMLV120C20MP12C	21.0	CF/CM64D	1	925	36.4	25.6	17.00	23.65	30.4	—	—	—	3.50	—
YZT48B21S	TMLV120C20MP12C	21.0	CF/CM64D	2	1375	46.5	35.0	—	13.00	46.5	30.6	9.60	8.50	4.00	2.92
YZT48B21S	TMLV120C20MP12C	21.0	XAFC60H	1	1225	39.0	29.4	16.00	23.40	31.8	—	—	—	3.62	—
YZT48B21S	TMLV120C20MP12C	21.0	XAFC60H	2	1775	46.0	31.6	—	11.50	46.0	29.0	8.55	7.10	3.58	2.56
YZT48B21S	TMLV120C20MP12C	21.0	XAHC60H	1	1075	40.0	27.8	17.00	25.00	32.2	—	—	—	4.12	—
YZT48B21S	TMLV120C20MP12C	21.0	XAHC60H	2	1550	47.0	32.6	—	12.50	47.0	30.2	9.00	7.35	3.72	2.70
YZT48B21S	TMLV120C20MP12C	24.5	XAHD60H	1	1225	41.0	29.6	17.00	24.50	33.8	—	—	—	5.00	—
YZT48B21S	TMLV120C20MP12C	24.5	XAHD60H	2	1775	47.5	32.6	—	12.00	48.0	31.0	9.00	7.20	3.72	2.64
YZT48B21S	TMLX080C16MP11	21.0	CF/CM64D	1	1400	38.5	32.0	15.50	21.50	31.6	—	—	—	3.62	—
YZT48B21S	TMLX080C16MP11	21.0	CF/CM64D	2	1525	46.5	36.4	—	12.25	48.0	31.4	9.00	8.35	3.90	2.82
YZT48B21S	TMLX100C16MP11	21.0	CF/CM64D	1	1400	38.5	32.0	15.50	21.50	31.6	—	—	—	3.62	—
YZT48B21S	TMLX100C16MP11	21.0	CF/CM64D	2	1525	46.5	36.4	—	12.25	48.0	31.4	9.00	8.35	3.90	2.82

SYSTEM CAPACITY — With High Efficiency Motor Furnaces<sup>1</sup> (Continued)

UNIT MODEL	FURNACE MODEL	WIDTH	COIL MODEL <sup>2</sup>	Stage	COOLING					HEATING					
					RATED CFM	NET MBH		SEER	EER	NET MBH		HSPF IV	HSPF V	COP	
						TOTAL	SENS.			47°F OD	17°F OD			47°F OD	17°F OD
YZT48B21S	TMLX100C20MP11	21.0	CF/CM64D	1	1250	38.0	29.8	16.50	23.20	30.8	—	—	—	3.70	—
YZT48B21S	TMLX100C20MP11	21.0	CF/CM64D	2	1375	46.5	35.0	—	12.50	46.5	30.8	9.00	8.55	4.00	2.92
YZT48B21S	TMLX120C20MP11	21.0	CF/CM64D	1	1250	38.0	29.8	16.50	23.20	30.8	—	—	—	3.70	—
YZT48B21S	TMLX120C20MP11	21.0	CF/CM64D	2	1375	46.5	35.0	—	12.50	46.5	30.8	9.00	8.55	4.00	2.92
YZT48B21S	TP9C080C16MP13C	21.0	CF/CM64D	1	900	35.6	25.0	16.00	22.80	30.6	—	—	—	3.44	—
YZT48B21S	TP9C080C16MP13C	21.0	CF/CM64D	2	1375	46.0	34.6	—	12.50	47.0	31.0	9.00	8.35	3.90	2.86
YZT48B21S	TP9C080C16MP13C	21.0	XAHC60H	1	950	39.0	26.2	17.00	24.35	31.2	—	—	—	3.50	—
YZT48B21S	TP9C080C16MP13C	21.0	XAHC60H	2	1475	46.5	32.4	—	12.50	47.0	30.6	8.55	6.95	3.62	2.64
YZT48B21S	TP9C080C16MP13C	24.5	XAHD60H	1	900	38.5	25.4	16.00	23.90	30.8	—	—	—	3.28	—
YZT48B21S	TP9C080C16MP13C	24.5	XAHD60H	2	1375	46.5	32.4	—	12.50	47.0	30.4	8.55	7.20	3.60	2.64
YZT48B21S	TP9C100C16MP13C	21.0	CF/CM64D	1	975	36.8	26.4	16.50	23.35	31.0	—	—	—	3.50	—
YZT48B21S	TP9C100C16MP13C	21.0	CF/CM64D	2	1425	46.5	35.4	—	12.50	47.5	31.2	9.00	8.35	3.92	2.86
YZT48B21S	TP9C100C16MP13C	21.0	XAHC60H	1	1100	40.0	28.0	17.00	24.65	32.6	—	—	—	4.24	—
YZT48B21S	TP9C100C16MP13C	21.0	XAHC60H	2	1600	47.0	32.6	—	12.00	47.5	30.6	9.00	7.30	3.68	2.66
YZT48B21S	TP9C100C16MP13C	24.5	XAHD60H	1	1125	40.0	28.0	16.00	24.20	32.8	—	—	—	4.34	—
YZT48B21S	TP9C100C16MP13C	24.5	XAHD60H	2	1600	47.0	32.6	—	12.00	47.5	30.6	9.00	7.30	3.66	2.64
YZT48B21S	TP9C100C20MP13C	21.0	CF/CM64D	1	825	35.6	24.0	16.50	23.20	30.4	—	—	—	3.32	—
YZT48B21S	TP9C100C20MP13C	21.0	CF/CM64D	2	1350	46.0	34.2	—	12.50	47.0	30.8	9.00	8.40	3.94	2.90
YZT48B21S	TP9C100C20MP13C	21.0	XAHC60H	1	900	38.5	25.4	17.00	24.70	30.6	—	—	—	3.32	—
YZT48B21S	TP9C100C20MP13C	21.0	XAHC60H	2	1475	47.0	32.8	—	12.50	47.0	30.2	8.55	7.05	3.68	2.68
YZT48B21S	TP9C100C20MP13C	24.5	XAHD60H	1	975	39.0	26.4	17.00	24.30	31.4	—	—	—	3.60	—
YZT48B21S	TP9C100C20MP13C	24.5	XAHD60H	2	1600	47.0	32.6	—	12.00	47.5	30.6	8.55	7.15	3.68	2.64
YZT48B21S	TP9C120D20MP13C	24.5	CF/CM64D	1	900	36.4	25.4	17.00	23.50	30.6	—	—	—	3.46	—
YZT48B21S	TP9C120D20MP13C	24.5	CF/CM64D	2	1400	46.5	35.2	—	13.00	46.5	30.8	9.60	8.45	4.00	2.92
YZT48B21S	TP9C120D20MP13C	24.5	XAHD60H	1	1125	40.0	28.0	17.00	24.65	32.8	—	—	—	4.38	—
YZT48B21S	TP9C120D20MP13C	24.5	XAHD60H	2	1800	47.5	32.6	—	12.00	48.0	31.0	9.00	7.25	3.74	2.64
YZT48B21S	TPLC080C16MP13C	21.0	CF/CM64D	1	875	36.2	25.0	16.50	23.30	30.4	—	—	—	3.42	—
YZT48B21S	TPLC080C16MP13C	21.0	CF/CM64D	2	1375	46.0	34.4	—	12.50	47.0	30.8	9.00	8.40	3.94	2.90
YZT48B21S	TPLC080C16MP13C	21.0	XAHC60H	1	1000	39.5	26.8	17.00	24.55	31.6	—	—	—	3.72	—
YZT48B21S	TPLC080C16MP13C	21.0	XAHC60H	2	1425	46.5	32.4	—	12.50	46.5	30.2	8.55	7.05	3.66	2.68
YZT48B21S	TPLC080C16MP13C	24.5	XAHD60H	1	975	39.0	26.4	17.00	24.20	31.4	—	—	—	3.60	—
YZT48B21S	TPLC080C16MP13C	24.5	XAHD60H	2	1425	46.5	32.4	—	12.50	47.0	30.4	8.55	7.20	3.64	2.66
YZT48B21S	TPLC100C16MP13C	21.0	CF/CM64D	1	875	36.2	25.0	16.50	23.30	30.4	—	—	—	3.42	—
YZT48B21S	TPLC100C16MP13C	21.0	CF/CM64D	2	1375	46.0	34.4	—	12.50	47.0	30.8	9.00	8.40	3.94	2.90
YZT48B21S	TPLC100C16MP13C	21.0	XAHC60H	1	1000	39.5	26.8	17.00	24.55	31.6	—	—	—	3.72	—
YZT48B21S	TPLC100C16MP13C	21.0	XAHC60H	2	1425	46.5	32.4	—	12.50	46.5	30.2	8.55	7.05	3.66	2.68
YZT48B21S	TPLC100C16MP13C	24.5	XAHD60H	1	975	39.0	26.4	17.00	24.20	31.4	—	—	—	3.60	—

**SYSTEM CAPACITY — With High Efficiency Motor Furnaces<sup>1</sup> (Continued)**

UNIT MODEL	FURNACE MODEL	WIDTH	COIL MODEL <sup>2</sup>	Stage	COOLING					HEATING					
					RATED CFM	NET MBH		SEER	EER	NET MBH		HSPF IV	HSPF V	COP	
						TOTAL	SENS.			47°F OD	17°F OD			47°F OD	17°F OD
YZT48B21S	TPLC100C16MP13C	24.5	XAHD60H	2	1425	46.5	32.4	—	12.50	47.0	30.4	8.55	7.20	3.64	2.66
YZT48B21S	TPLC100C20MP13C	21.0	CF/CM64D	1	925	36.4	25.6	17.00	23.65	30.4	—	—	—	3.50	—
YZT48B21S	TPLC100C20MP13C	21.0	CF/CM64D	2	1375	46.5	35.0	—	13.00	46.5	30.6	9.60	8.50	4.00	2.92
YZT48B21S	TPLC100C20MP13C	21.0	XAFC60H	1	1225	39.0	29.4	16.00	23.40	31.8	—	—	—	3.62	—
YZT48B21S	TPLC100C20MP13C	21.0	XAFC60H	2	1775	46.0	31.6	—	11.50	46.0	29.0	8.55	7.10	3.58	2.56
YZT48B21S	TPLC100C20MP13C	21.0	XAHC60H	1	1075	40.0	27.8	17.00	25.00	32.2	—	—	—	4.12	—
YZT48B21S	TPLC100C20MP13C	21.0	XAHC60H	2	1550	47.0	32.6	—	12.50	47.0	30.2	9.00	7.35	3.72	2.70
YZT48B21S	TPLC100C20MP13C	24.5	XAHD60H	1	1225	41.0	29.6	17.00	24.50	33.8	—	—	—	5.00	—
YZT48B21S	TPLC100C20MP13C	24.5	XAHD60H	2	1775	47.5	32.6	—	12.00	48.0	31.0	9.00	7.20	3.72	2.64
YZT48B21S	TPLC120C20MP13C	21.0	CF/CM64D	1	925	36.4	25.6	17.00	23.65	30.4	—	—	—	3.50	—
YZT48B21S	TPLC120C20MP13C	21.0	CF/CM64D	2	1375	46.5	35.0	—	13.00	46.5	30.6	9.60	8.50	4.00	2.92
YZT48B21S	TPLC120C20MP13C	21.0	XAFC60H	1	1225	39.0	29.4	16.00	23.40	31.8	—	—	—	3.62	—
YZT48B21S	TPLC120C20MP13C	21.0	XAFC60H	2	1775	46.0	31.6	—	11.50	46.0	29.0	8.55	7.10	3.58	2.56
YZT48B21S	TPLC120C20MP13C	21.0	XAHC60H	1	1075	40.0	27.8	17.00	25.00	32.2	—	—	—	4.12	—
YZT48B21S	TPLC120C20MP13C	21.0	XAHC60H	2	1550	47.0	32.6	—	12.50	47.0	30.2	9.00	7.35	3.72	2.70
YZT48B21S	TPLC120C20MP13C	24.5	XAHD60H	1	1225	41.0	29.6	17.00	24.50	33.8	—	—	—	5.00	—
YZT48B21S	TPLC120C20MP13C	24.5	XAHD60H	2	1775	47.5	32.6	—	12.00	48.0	31.0	9.00	7.20	3.72	2.64
YZT48B21S	YP9C080C16MP13C	21.0	CF/CM64D	1	900	35.6	25.0	16.00	22.80	30.6	—	—	—	3.44	—
YZT48B21S	YP9C080C16MP13C	21.0	CF/CM64D	2	1375	46.0	34.6	—	12.50	47.0	31.0	9.00	8.35	3.90	2.86
YZT48B21S	YP9C080C16MP13C	21.0	XAHC60H	1	950	39.0	26.2	17.00	24.35	31.2	—	—	—	3.50	—
YZT48B21S	YP9C080C16MP13C	21.0	XAHC60H	2	1475	46.5	32.4	—	12.50	47.0	30.6	8.55	6.95	3.62	2.64
YZT48B21S	YP9C080C16MP13C	24.5	XAHD60H	1	900	38.5	25.4	16.00	23.90	30.8	—	—	—	3.28	—
YZT48B21S	YP9C080C16MP13C	24.5	XAHD60H	2	1375	46.5	32.4	—	12.50	47.0	30.4	8.55	7.20	3.60	2.64
YZT48B21S	YP9C100C16MP13C	21.0	CF/CM64D	1	975	36.8	26.4	16.50	23.35	31.0	—	—	—	3.50	—
YZT48B21S	YP9C100C16MP13C	21.0	CF/CM64D	2	1425	46.5	35.4	—	12.50	47.5	31.2	9.00	8.35	3.92	2.86
YZT48B21S	YP9C100C16MP13C	21.0	XAHC60H	1	1100	40.0	28.0	17.00	24.65	32.6	—	—	—	4.24	—
YZT48B21S	YP9C100C16MP13C	21.0	XAHC60H	2	1600	47.0	32.6	—	12.00	47.5	30.6	9.00	7.30	3.68	2.66
YZT48B21S	YP9C100C16MP13C	24.5	XAHD60H	1	1125	40.0	28.0	16.00	24.20	32.8	—	—	—	4.34	—
YZT48B21S	YP9C100C16MP13C	24.5	XAHD60H	2	1600	47.0	32.6	—	12.00	47.5	30.6	9.00	7.30	3.66	2.64
YZT48B21S	YP9C100C20MP13C	21.0	CF/CM64D	1	825	35.6	24.0	16.50	23.20	30.4	—	—	—	3.32	—
YZT48B21S	YP9C100C20MP13C	21.0	CF/CM64D	2	1350	46.0	34.2	—	12.50	47.0	30.8	9.00	8.40	3.94	2.90
YZT48B21S	YP9C100C20MP13C	21.0	XAHC60H	1	900	38.5	25.4	17.00	24.70	30.6	—	—	—	3.32	—
YZT48B21S	YP9C100C20MP13C	21.0	XAHC60H	2	1475	47.0	32.8	—	12.50	47.0	30.2	8.55	7.05	3.68	2.68
YZT48B21S	YP9C100C20MP13C	24.5	XAHD60H	1	975	39.0	26.4	17.00	24.30	31.4	—	—	—	3.60	—
YZT48B21S	YP9C100C20MP13C	24.5	XAHD60H	2	1600	47.0	32.6	—	12.00	47.5	30.6	8.55	7.15	3.68	2.64
YZT48B21S	YP9C120D20MP13C	24.5	CF/CM64D	1	900	36.4	25.4	17.00	23.50	30.6	—	—	—	3.46	—
YZT48B21S	YP9C120D20MP13C	24.5	CF/CM64D	2	1400	46.5	35.2	—	13.00	46.5	30.8	9.60	8.45	4.00	2.92

**SYSTEM CAPACITY — With High Efficiency Motor Furnaces<sup>1</sup> (Continued)**

UNIT MODEL	FURNACE MODEL	WIDTH	COIL MODEL <sup>2</sup>	Stage	COOLING					HEATING					
					RATED CFM	NET MBH		SEER	EER	NET MBH		HSPF IV	HSPF V	COP	
						TOTAL	SENS.			47°F OD	17°F OD			47°F OD	17°F OD
YZT48B21S	YP9C120D20MP13C	24.5	XAHD60H	1	1125	40.0	28.0	17.00	24.65	32.8	—	—	—	4.38	—
YZT48B21S	YP9C120D20MP13C	24.5	XAHD60H	2	1800	47.5	32.6	—	12.00	48.0	31.0	9.00	7.25	3.74	2.64
YZT48B21S	YPLC080C16MP13C	21.0	CF/CM64D	1	875	36.2	25.0	16.50	23.30	30.4	—	—	—	3.42	—
YZT48B21S	YPLC080C16MP13C	21.0	CF/CM64D	2	1375	46.0	34.4	—	12.50	47.0	30.8	9.00	8.40	3.94	2.90
YZT48B21S	YPLC080C16MP13C	21.0	XAHC60H	1	1000	39.5	26.8	17.00	24.55	31.6	—	—	—	3.72	—
YZT48B21S	YPLC080C16MP13C	21.0	XAHC60H	2	1425	46.5	32.4	—	12.50	46.5	30.2	8.55	7.05	3.66	2.68
YZT48B21S	YPLC080C16MP13C	24.5	XAHD60H	1	975	39.0	26.4	17.00	24.20	31.4	—	—	—	3.60	—
YZT48B21S	YPLC080C16MP13C	24.5	XAHD60H	2	1425	46.5	32.4	—	12.50	47.0	30.4	8.55	7.20	3.64	2.66
YZT48B21S	YPLC100C16MP13C	21.0	CF/CM64D	1	875	36.2	25.0	16.50	23.30	30.4	—	—	—	3.42	—
YZT48B21S	YPLC100C16MP13C	21.0	CF/CM64D	2	1375	46.0	34.4	—	12.50	47.0	30.8	9.00	8.40	3.94	2.90
YZT48B21S	YPLC100C16MP13C	21.0	XAHC60H	1	1000	39.5	26.8	17.00	24.55	31.6	—	—	—	3.72	—
YZT48B21S	YPLC100C16MP13C	21.0	XAHC60H	2	1425	46.5	32.4	—	12.50	46.5	30.2	8.55	7.05	3.66	2.68
YZT48B21S	YPLC100C16MP13C	24.5	XAHD60H	1	975	39.0	26.4	17.00	24.20	31.4	—	—	—	3.60	—
YZT48B21S	YPLC100C16MP13C	24.5	XAHD60H	2	1425	46.5	32.4	—	12.50	47.0	30.4	8.55	7.20	3.64	2.66
YZT48B21S	YPLC100C20MP13C	21.0	CF/CM64D	1	925	36.4	25.6	17.00	23.65	30.4	—	—	—	3.50	—
YZT48B21S	YPLC100C20MP13C	21.0	CF/CM64D	2	1375	46.5	35.0	—	13.00	46.5	30.6	9.60	8.50	4.00	2.92
YZT48B21S	YPLC100C20MP13C	21.0	XAFC60H	1	1225	39.0	29.4	16.00	23.40	31.8	—	—	—	3.62	—
YZT48B21S	YPLC100C20MP13C	21.0	XAFC60H	2	1775	46.0	31.6	—	11.50	46.0	29.0	8.55	7.10	3.58	2.56
YZT48B21S	YPLC100C20MP13C	21.0	XAHC60H	1	1075	40.0	27.8	17.00	25.00	32.2	—	—	—	4.12	—
YZT48B21S	YPLC100C20MP13C	21.0	XAHC60H	2	1550	47.0	32.6	—	12.50	47.0	30.2	9.00	7.35	3.72	2.70
YZT48B21S	YPLC100C20MP13C	24.5	XAHD60H	1	1225	41.0	29.6	17.00	24.50	33.8	—	—	—	5.00	—
YZT48B21S	YPLC100C20MP13C	24.5	XAHD60H	2	1775	47.5	32.6	—	12.00	48.0	31.0	9.00	7.20	3.72	2.64
YZT48B21S	YPLC120C20MP13C	21.0	CF/CM64D	1	925	36.4	25.6	17.00	23.65	30.4	—	—	—	3.50	—
YZT48B21S	YPLC120C20MP13C	21.0	CF/CM64D	2	1375	46.5	35.0	—	13.00	46.5	30.6	9.60	8.50	4.00	2.92
YZT48B21S	YPLC120C20MP13C	21.0	XAFC60H	1	1225	39.0	29.4	16.00	23.40	31.8	—	—	—	3.62	—
YZT48B21S	YPLC120C20MP13C	21.0	XAFC60H	2	1775	46.0	31.6	—	11.50	46.0	29.0	8.55	7.10	3.58	2.56
YZT48B21S	YPLC120C20MP13C	21.0	XAHC60H	1	1075	40.0	27.8	17.00	25.00	32.2	—	—	—	4.12	—
YZT48B21S	YPLC120C20MP13C	21.0	XAHC60H	2	1550	47.0	32.6	—	12.50	47.0	30.2	9.00	7.35	3.72	2.70
YZT48B21S	YPLC120C20MP13C	24.5	XAHD60H	1	1225	41.0	29.6	17.00	24.50	33.8	—	—	—	5.00	—
YZT48B21S	YPLC120C20MP13C	24.5	XAHD60H	2	1775	47.5	32.6	—	12.00	48.0	31.0	9.00	7.20	3.72	2.64
YZT60B21S	TL8E080C16UH11	24.5	XAFD60J	1	1300	45.5	29.8	15.25	21.50	40.0	—	—	—	3.42	—
YZT60B21S	TL8E080C16UH11	24.5	XAFD60J	2	1550	53.5	35.4	—	11.75	56.0	35.6	8.20	6.45	3.44	2.32
YZT60B21S	TL8E100C20UH11	24.5	XAFD60J	1	1100	44.5	28.4	15.75	22.45	39.5	—	—	—	3.28	—
YZT60B21S	TL8E100C20UH11	24.5	XAFD60J	2	1600	54.0	35.8	—	12.00	56.0	35.4	8.20	6.50	3.50	2.34
YZT60B21S	TL8E100C20UH11	24.5	XAHD60J	1	1100	45.0	30.2	16.00	22.70	40.0	—	—	—	3.40	—
YZT60B21S	TL8E100C20UH11	24.5	XAHD60J	2	1575	54.5	39.0	—	12.00	58.0	37.6	8.55	6.85	3.60	2.50
YZT60B21S	TL9E100C20UH11	24.5	XAFD60J	1	1250	45.5	29.8	15.50	22.10	40.0	—	—	—	3.40	—

**SYSTEM CAPACITY — With High Efficiency Motor Furnaces<sup>1</sup> (Continued)**

UNIT MODEL	FURNACE MODEL	WIDTH	COIL MODEL <sup>2</sup>	Stage	COOLING					HEATING					
					RATED CFM	NET MBH		SEER	EER	NET MBH		HSPF IV	HSPF V	COP	
						TOTAL	SENS.			47°F OD	17°F OD			47°F OD	17°F OD
YZT60B21S	TL9E100C20UH11	24.5	XAFD60J	2	1600	53.5	35.4	—	12.00	56.0	35.4	8.20	6.40	3.48	2.34
YZT60B21S	TL9E100C20UH11	24.5	XAHD60J	1	1175	45.5	31.0	15.00	22.65	40.0	—	—	—	3.46	—
YZT60B21S	TL9E100C20UH11	24.5	XAHD60J	2	1575	54.5	39.0	—	12.00	58.0	37.8	8.55	6.85	3.60	2.48
YZT60B21S	TM8E080C16MP11	24.5	XAFD60J	1	1300	45.5	29.8	15.25	21.60	40.0	—	—	—	3.42	—
YZT60B21S	TM8E080C16MP11	24.5	XAFD60J	2	1575	53.5	35.4	—	11.50	56.0	35.6	8.20	6.50	3.44	2.32
YZT60B21S	TM8E080C20MP11	24.5	XAFD60J	1	1475	46.5	31.4	15.25	21.60	40.5	—	—	—	3.60	—
YZT60B21S	TM8E080C20MP11	24.5	XAFD60J	2	1750	54.0	35.6	—	11.50	56.5	36.0	8.55	6.85	3.52	2.38
YZT60B21S	TM8E080C20MP11	24.5	XAHD60J	1	1275	46.5	32.2	15.00	22.60	40.0	—	—	—	3.56	—
YZT60B21S	TM8E080C20MP11	24.5	XAHD60J	2	1525	54.5	39.0	—	12.00	58.0	37.8	9.00	7.45	3.60	2.52
YZT60B21S	TM8E100C16MP11	24.5	XAFD60J	1	1325	45.5	30.0	15.25	21.55	40.0	—	—	—	3.44	—
YZT60B21S	TM8E100C16MP11	24.5	XAFD60J	2	1575	53.5	35.4	—	11.75	56.0	35.6	8.20	6.40	3.44	2.32
YZT60B21S	TM8E100C20MP11	24.5	XAFD60J	1	1450	46.5	31.2	15.25	21.60	40.5	—	—	—	3.58	—
YZT60B21S	TM8E100C20MP11	24.5	XAFD60J	2	1725	54.0	35.6	—	11.50	56.5	36.0	8.20	6.55	3.50	2.36
YZT60B21S	TM8E100C20MP11	24.5	XAHD60J	1	1250	46.5	32.2	15.00	22.50	40.0	—	—	—	3.52	—
YZT60B21S	TM8E100C20MP11	24.5	XAHD60J	2	1500	54.5	39.0	—	12.00	58.0	37.8	9.00	7.45	3.60	2.52
YZT60B21S	TM8E120C16MP11	24.5	XAFD60J	1	1325	45.5	30.0	15.25	21.60	40.0	—	—	—	3.44	—
YZT60B21S	TM8E120C16MP11	24.5	XAFD60J	2	1575	53.5	35.4	—	11.75	56.0	35.6	8.20	6.40	3.46	2.32
YZT60B21S	TM8E120C20MP11	24.5	XAFD60J	1	1525	47.0	32.0	15.00	21.40	40.5	—	—	—	3.64	—
YZT60B21S	TM8E120C20MP11	24.5	XAFD60J	2	1750	54.0	35.6	—	11.75	56.5	36.0	8.55	6.75	3.52	2.38
YZT60B21S	TM8E120C20MP11	24.5	XAHD60J	1	1300	46.5	32.4	15.00	22.55	40.5	—	—	—	3.58	—
YZT60B21S	TM8E120C20MP11	24.5	XAHD60J	2	1500	54.5	39.0	—	12.00	58.0	37.8	9.00	7.40	3.60	2.52
YZT60B21S	TM8E130D20MP11	24.5	XAFD60J	1	1450	46.5	31.2	15.25	21.80	40.5	—	—	—	3.58	—
YZT60B21S	TM8E130D20MP11	24.5	XAFD60J	2	1775	54.0	36.0	—	11.50	56.5	36.2	8.55	6.75	3.52	2.38
YZT60B21S	TM8E130D20MP11	24.5	XAHD60J	1	1300	46.5	32.4	15.00	22.65	40.0	—	—	—	3.58	—
YZT60B21S	TM8E130D20MP11	24.5	XAHD60J	2	1600	55.0	40.0	—	12.00	58.0	37.6	9.00	7.40	3.62	2.48
YZT60B21S	TM8V100C20MP12C	21.0	CF/CM64D	1	1075	41.0	28.0	16.50	20.80	37.2	—	—	—	3.52	—
YZT60B21S	TM8V100C20MP12C	21.0	CF/CM64D	2	1550	56.5	41.0	—	12.50	57.5	36.8	9.25	8.05	3.80	2.58
YZT60B21S	TM8V100C20MP12C	24.5	XAFD60J	1	1225	45.0	29.2	15.50	22.30	40.0	—	—	—	3.38	—
YZT60B21S	TM8V100C20MP12C	24.5	XAFD60J	2	1775	54.0	35.4	—	11.50	56.5	36.2	8.20	6.65	3.52	2.38
YZT60B21S	TM8V100C20MP12C	24.5	XAHD60J	1	1050	44.5	29.6	15.00	22.50	40.0	—	—	—	3.34	—
YZT60B21S	TM8V100C20MP12C	24.5	XAHD60J	2	1500	54.5	39.0	—	12.00	58.0	37.8	8.55	6.90	3.58	2.52
YZT60B21S	TM8V120C20MP12C	21.0	CF/CM64D	1	1075	41.0	28.0	16.50	20.80	37.2	—	—	—	3.52	—
YZT60B21S	TM8V120C20MP12C	21.0	CF/CM64D	2	1550	56.5	41.0	—	12.50	57.5	36.8	9.25	8.05	3.80	2.58
YZT60B21S	TM8V120C20MP12C	24.5	XAFD60J	1	1225	45.0	29.2	15.50	22.30	40.0	—	—	—	3.38	—
YZT60B21S	TM8V120C20MP12C	24.5	XAFD60J	2	1775	54.0	35.4	—	11.50	56.5	36.2	8.20	6.65	3.52	2.38
YZT60B21S	TM8X100C20MP11	21.0	CF/CM64D	1	1425	42.5	32.2	16.00	20.05	37.6	—	—	—	3.66	—
YZT60B21S	TM8X100C20MP11	21.0	CF/CM64D	2	1550	56.5	41.0	—	12.50	57.5	36.8	9.25	8.10	3.80	2.58



SYSTEM CAPACITY — With High Efficiency Motor Furnaces<sup>1</sup> (Continued)

UNIT MODEL	FURNACE MODEL	WIDTH	COIL MODEL <sup>2</sup>	Stage	COOLING					HEATING					
					RATED CFM	NET MBH		SEER	EER	NET MBH		HSPF IV	HSPF V	COP	
						TOTAL	SENS.			47°F OD	17°F OD			47°F OD	17°F OD
YZT60B21S	TM8X120C20MP11	21.0	CF/CM64D	1	1425	42.5	32.2	16.00	20.05	37.6	—	—	—	3.66	—
YZT60B21S	TM8X120C20MP11	21.0	CF/CM64D	2	1550	56.5	41.0	—	12.50	57.5	36.8	9.25	8.10	3.80	2.58
YZT60B21S	TM8Y080C16MP11	24.5	XAFD60J	1	1200	45.0	29.2	15.50	22.00	40.0	—	—	—	3.34	—
YZT60B21S	TM8Y080C16MP11	24.5	XAFD60J	2	1550	53.5	35.4	—	11.75	56.0	35.4	8.20	6.55	3.44	2.32
YZT60B21S	TM8Y100C16MP11	24.5	XAFD60J	1	1200	45.0	29.2	15.50	22.00	40.0	—	—	—	3.34	—
YZT60B21S	TM8Y100C16MP11	24.5	XAFD60J	2	1550	53.5	35.4	—	11.75	56.0	35.4	8.20	6.55	3.44	2.32
YZT60B21S	TM8Y100C20MP11	21.0	CF/CM64D	1	1425	42.5	32.2	16.00	20.05	37.6	—	—	—	3.66	—
YZT60B21S	TM8Y100C20MP11	21.0	CF/CM64D	2	1550	56.5	41.0	—	12.50	57.5	36.8	9.25	8.10	3.80	2.58
YZT60B21S	TM8Y100C20MP11	24.5	XAFD60J	1	1250	45.5	29.8	15.50	22.15	40.0	—	—	—	3.40	—
YZT60B21S	TM8Y100C20MP11	24.5	XAFD60J	2	1550	53.5	35.4	—	12.00	56.0	35.2	8.50	6.70	3.48	2.34
YZT60B21S	TM8Y100C20MP11	24.5	XAHD60J	1	1050	44.5	29.6	16.00	22.60	40.0	—	—	—	3.36	—
YZT60B21S	TM8Y100C20MP11	24.5	XAHD60J	2	1525	54.5	39.0	—	12.00	58.0	37.8	8.55	6.90	3.60	2.52
YZT60B21S	TM8Y120C20MP11	21.0	CF/CM64D	1	1425	42.5	32.2	16.00	20.05	37.6	—	—	—	3.66	—
YZT60B21S	TM8Y120C20MP11	21.0	CF/CM64D	2	1550	56.5	41.0	—	12.50	57.5	36.8	9.25	8.10	3.80	2.58
YZT60B21S	TM8Y120C20MP11	24.5	XAFD60J	1	1250	45.5	29.8	15.50	22.15	40.0	—	—	—	3.40	—
YZT60B21S	TM8Y120C20MP11	24.5	XAFD60J	2	1550	53.5	35.4	—	12.00	56.0	35.2	8.50	6.70	3.48	2.34
YZT60B21S	TM8Y120C20MP11	24.5	XAHD60J	1	1050	44.5	29.6	16.00	22.60	40.0	—	—	—	3.36	—
YZT60B21S	TM8Y120C20MP11	24.5	XAHD60J	2	1525	54.5	39.0	—	12.00	58.0	37.8	8.55	6.90	3.60	2.52
YZT60B21S	TM9E080C20MP12	24.5	XAFD60J	1	1450	46.5	31.2	15.25	21.70	40.5	—	—	—	3.58	—
YZT60B21S	TM9E080C20MP12	24.5	XAFD60J	2	1750	54.0	35.6	—	11.50	56.5	36.0	8.55	6.80	3.52	2.38
YZT60B21S	TM9E080C20MP12	24.5	XAHD60J	1	1425	47.5	33.8	15.00	22.30	40.5	—	—	—	3.68	—
YZT60B21S	TM9E080C20MP12	24.5	XAHD60J	2	1725	55.0	40.5	—	11.50	58.5	37.4	9.00	7.10	3.62	2.44
YZT60B21S	TM9E100C20MP11	21.0	CF/CM64D	1	1375	42.5	31.8	15.50	19.50	37.8	—	—	—	3.60	—
YZT60B21S	TM9E100C20MP11	21.0	CF/CM64D	2	1525	56.0	40.0	—	12.25	58.0	37.0	9.25	8.15	3.74	2.60
YZT60B21S	TM9E100C20MP12	24.5	XAFD60J	1	1425	46.5	31.2	15.25	21.70	40.5	—	—	—	3.56	—
YZT60B21S	TM9E100C20MP12	24.5	XAFD60J	2	1700	54.0	35.6	—	11.75	56.5	35.8	8.20	6.50	3.50	2.36
YZT60B21S	TM9E100C20MP12	24.5	XAHD60J	1	1225	46.0	31.6	15.00	22.45	40.0	—	—	—	3.50	—
YZT60B21S	TM9E100C20MP12	24.5	XAHD60J	2	1500	54.5	39.0	—	12.00	58.0	37.8	9.00	7.45	3.60	2.52
YZT60B21S	TM9E120D20MP11	24.5	CF/CM64D	1	1425	42.5	32.0	15.50	19.80	37.6	—	—	—	3.64	—
YZT60B21S	TM9E120D20MP11	24.5	CF/CM64D	2	1575	56.5	41.0	—	12.50	58.0	37.0	9.60	8.35	3.80	2.70
YZT60B21S	TM9E120D20MP12	24.5	XAFD60J	1	1450	46.5	31.2	15.00	21.40	40.5	—	—	—	3.56	—
YZT60B21S	TM9E120D20MP12	24.5	XAFD60J	2	1725	54.0	35.6	—	11.50	56.5	36.0	8.20	6.55	3.50	2.36
YZT60B21S	TM9E120D20MP12	24.5	XAHD60J	1	1250	46.5	32.2	15.00	22.40	40.0	—	—	—	3.52	—
YZT60B21S	TM9E120D20MP12	24.5	XAHD60J	2	1575	54.5	39.0	—	12.00	58.5	37.8	9.00	7.20	3.58	2.48
YZT60B21S	TM9V100C16MP12C	24.5	XAFD60J	1	1100	44.5	28.4	15.25	22.05	39.5	—	—	—	3.26	—
YZT60B21S	TM9V100C16MP12C	24.5	XAFD60J	2	1600	53.5	35.4	—	11.50	56.5	35.6	8.20	6.55	3.46	2.32
YZT60B21S	TM9V100C20MP12C	21.0	CF/CM64D	1	975	40.0	26.6	16.00	20.40	37.0	—	—	—	3.40	—

**SYSTEM CAPACITY — With High Efficiency Motor Furnaces<sup>1</sup> (Continued)**

UNIT MODEL	FURNACE MODEL	WIDTH	COIL MODEL <sup>2</sup>	Stage	COOLING					HEATING					
					RATED CFM	NET MBH		SEER	EER	NET MBH		HSPF IV	HSPF V	COP	
						TOTAL	SENS.			47°F OD	17°F OD			47°F OD	17°F OD
YZT60B21S	TM9V100C20MP12C	21.0	CF/CM64D	2	1600	56.5	41.5	—	12.25	58.0	37.2	9.25	8.25	3.78	2.68
YZT60B21S	TM9V100C20MP12C	24.5	XAFD60J	1	1050	44.0	27.8	15.25	22.10	39.5	—	—	—	3.20	—
YZT60B21S	TM9V100C20MP12C	24.5	XAFD60J	2	1625	53.5	35.2	—	11.50	56.5	35.8	8.20	6.55	3.46	2.32
YZT60B21S	TM9V100C20MP12C	24.5	XAHD60J	1	975	44.0	28.8	15.00	22.20	39.5	—	—	—	3.26	—
YZT60B21S	TM9V100C20MP12C	24.5	XAHD60J	2	1600	54.5	39.5	—	11.50	58.5	37.8	8.55	7.05	3.58	2.46
YZT60B21S	TM9V120D20MP12C	24.5	CF/CM64D	1	1000	40.5	27.2	16.00	20.65	37.0	—	—	—	3.44	—
YZT60B21S	TM9V120D20MP12C	24.5	CF/CM64D	2	1575	56.5	41.0	—	12.50	58.0	37.0	9.60	8.30	3.80	2.70
YZT60B21S	TM9V120D20MP12C	24.5	XAFD60J	1	1125	44.5	28.4	15.50	22.40	39.5	—	—	—	3.30	—
YZT60B21S	TM9V120D20MP12C	24.5	XAFD60J	2	1800	54.0	36.0	—	11.50	56.5	36.2	8.20	6.65	3.54	2.38
YZT60B21S	TM9V120D20MP12C	24.5	XAHD60J	1	1025	44.5	29.4	15.00	22.50	39.5	—	—	—	3.32	—
YZT60B21S	TM9V120D20MP12C	24.5	XAHD60J	2	1650	55.0	40.0	—	12.00	58.5	37.6	8.55	6.95	3.62	2.46
YZT60B21S	TM9Y100C20MP11	21.0	CF/CM64D	1	1375	42.5	31.8	15.50	19.50	37.8	—	—	—	3.60	—
YZT60B21S	TM9Y100C20MP11	21.0	CF/CM64D	2	1525	56.0	40.0	—	12.25	58.0	37.0	9.25	8.15	3.74	2.60
YZT60B21S	TM9Y100C20MP11	24.5	XAFD60J	1	1350	45.5	30.0	15.00	21.15	40.5	—	—	—	3.44	—
YZT60B21S	TM9Y100C20MP11	24.5	XAFD60J	2	1550	53.5	35.4	—	11.75	56.0	35.4	8.20	6.50	3.44	2.32
YZT60B21S	TM9Y100C20MP11	24.5	XAHD60J	1	1200	46.0	31.6	15.00	22.10	40.0	—	—	—	3.46	—
YZT60B21S	TM9Y100C20MP11	24.5	XAHD60J	2	1525	54.5	39.0	—	12.00	58.0	38.0	8.55	6.90	3.56	2.50
YZT60B21S	TM9Y120D20MP11	24.5	CF/CM64D	1	1425	42.5	32.0	15.50	19.80	37.6	—	—	—	3.64	—
YZT60B21S	TM9Y120D20MP11	24.5	CF/CM64D	2	1575	56.5	41.0	—	12.50	58.0	37.0	9.60	8.35	3.80	2.70
YZT60B21S	TM9Y120D20MP11	24.5	XAFD60J	1	1275	45.5	29.8	15.50	22.10	40.0	—	—	—	3.42	—
YZT60B21S	TM9Y120D20MP11	24.5	XAFD60J	2	1575	53.5	35.4	—	11.75	56.0	35.4	8.20	6.40	3.48	2.34
YZT60B21S	TM9Y120D20MP11	24.5	XAHD60J	1	1250	46.5	32.2	15.00	22.50	40.0	—	—	—	3.52	—
YZT60B21S	TM9Y120D20MP11	24.5	XAHD60J	2	1550	54.5	39.0	—	12.00	58.0	37.8	9.00	7.25	3.58	2.50
YZT60B21S	TMLE080C16MP11	24.5	XAFD60J	1	1300	45.5	29.8	15.25	21.60	40.0	—	—	—	3.42	—
YZT60B21S	TMLE080C16MP11	24.5	XAFD60J	2	1575	53.5	35.4	—	11.50	56.0	35.6	8.20	6.50	3.44	2.32
YZT60B21S	TMLE080C20MP11	24.5	XAFD60J	1	1475	46.5	31.4	15.25	21.60	40.5	—	—	—	3.60	—
YZT60B21S	TMLE080C20MP11	24.5	XAFD60J	2	1750	54.0	35.6	—	11.50	56.5	36.0	8.55	6.85	3.52	2.38
YZT60B21S	TMLE080C20MP11	24.5	XAHD60J	1	1275	46.5	32.2	15.00	22.60	40.0	—	—	—	3.56	—
YZT60B21S	TMLE080C20MP11	24.5	XAHD60J	2	1525	54.5	39.0	—	12.00	58.0	37.8	9.00	7.45	3.60	2.52
YZT60B21S	TMLE100C16MP11	24.5	XAFD60J	1	1325	45.5	30.0	15.25	21.55	40.0	—	—	—	3.44	—
YZT60B21S	TMLE100C16MP11	24.5	XAFD60J	2	1575	53.5	35.4	—	11.75	56.0	35.6	8.20	6.40	3.44	2.32
YZT60B21S	TMLE100C20MP11	24.5	XAFD60J	1	1450	46.5	31.2	15.25	21.60	40.5	—	—	—	3.58	—
YZT60B21S	TMLE100C20MP11	24.5	XAFD60J	2	1725	54.0	35.6	—	11.50	56.5	36.0	8.20	6.55	3.50	2.36
YZT60B21S	TMLE100C20MP11	24.5	XAHD60J	1	1250	46.5	32.2	15.00	22.50	40.0	—	—	—	3.52	—
YZT60B21S	TMLE100C20MP11	24.5	XAHD60J	2	1500	54.5	39.0	—	12.00	58.0	37.8	9.00	7.45	3.60	2.52
YZT60B21S	TMLE120C16MP11	24.5	XAFD60J	1	1325	45.5	30.0	15.25	21.60	40.0	—	—	—	3.44	—
YZT60B21S	TMLE120C16MP11	24.5	XAFD60J	2	1575	53.5	35.4	—	11.75	56.0	35.6	8.20	6.40	3.46	2.32

SYSTEM CAPACITY — With High Efficiency Motor Furnaces<sup>1</sup> (Continued)

UNIT MODEL	FURNACE MODEL	WIDTH	COIL MODEL <sup>2</sup>	Stage	COOLING					HEATING					
					RATED CFM	NET MBH		SEER	EER	NET MBH		HSPF IV	HSPF V	COP	
						TOTAL	SENS.			47°F OD	17°F OD			47°F OD	17°F OD
YZT60B21S	TMLE120C20MP11	24.5	XAFD60J	1	1525	47.0	32.0	15.00	21.40	40.5	—	—	—	3.64	—
YZT60B21S	TMLE120C20MP11	24.5	XAFD60J	2	1750	54.0	35.6	—	11.75	56.5	36.0	8.55	6.75	3.52	2.38
YZT60B21S	TMLE120C20MP11	24.5	XAHD60J	1	1300	46.5	32.4	15.00	22.55	40.5	—	—	—	3.58	—
YZT60B21S	TMLE120C20MP11	24.5	XAHD60J	2	1500	54.5	39.0	—	12.00	58.0	37.8	9.00	7.40	3.60	2.52
YZT60B21S	TMLE130D20MP11	24.5	XAFD60J	1	1450	46.5	31.2	15.25	21.80	40.5	—	—	—	3.58	—
YZT60B21S	TMLE130D20MP11	24.5	XAFD60J	2	1775	54.0	36.0	—	11.50	56.5	36.2	8.55	6.75	3.52	2.38
YZT60B21S	TMLE130D20MP11	24.5	XAHD60J	1	1300	46.5	32.4	15.00	22.65	40.0	—	—	—	3.58	—
YZT60B21S	TMLE130D20MP11	24.5	XAHD60J	2	1600	55.0	40.0	—	12.00	58.0	37.6	9.00	7.40	3.62	2.48
YZT60B21S	TMLV100C20MP12C	21.0	CF/CM64D	1	1075	41.0	28.0	16.50	20.80	37.2	—	—	—	3.52	—
YZT60B21S	TMLV100C20MP12C	21.0	CF/CM64D	2	1550	56.5	41.0	—	12.50	57.5	36.8	9.25	8.05	3.80	2.58
YZT60B21S	TMLV120C20MP12C	21.0	CF/CM64D	1	1075	41.0	28.0	16.50	20.80	37.2	—	—	—	3.52	—
YZT60B21S	TMLV120C20MP12C	21.0	CF/CM64D	2	1550	56.5	41.0	—	12.50	57.5	36.8	9.25	8.05	3.80	2.58
YZT60B21S	TMLV120C20MP12C	24.5	XAFD60J	1	1225	45.0	29.2	15.50	22.30	40.0	—	—	—	3.38	—
YZT60B21S	TMLV120C20MP12C	24.5	XAFD60J	2	1775	54.0	35.4	—	11.50	56.5	36.2	8.20	6.65	3.52	2.38
YZT60B21S	TMLX100C20MP11	21.0	CF/CM64D	1	1425	42.5	32.2	16.00	20.05	37.6	—	—	—	3.66	—
YZT60B21S	TMLX100C20MP11	21.0	CF/CM64D	2	1550	56.5	41.0	—	12.50	57.5	36.8	9.25	8.10	3.80	2.58
YZT60B21S	TMLX120C20MP11	21.0	CF/CM64D	1	1425	42.5	32.2	16.00	20.05	37.6	—	—	—	3.66	—
YZT60B21S	TMLX120C20MP11	21.0	CF/CM64D	2	1550	56.5	41.0	—	12.50	57.5	36.8	9.25	8.10	3.80	2.58
YZT60B21S	TP9C100C16MP13C	24.5	XAFD60J	1	1100	44.5	28.4	15.25	22.05	39.5	—	—	—	3.26	—
YZT60B21S	TP9C100C16MP13C	24.5	XAFD60J	2	1600	53.5	35.4	—	11.50	56.5	35.6	8.20	6.55	3.46	2.32
YZT60B21S	TP9C100C20MP13C	21.0	CF/CM64D	1	975	40.0	26.6	16.00	20.40	37.0	—	—	—	3.40	—
YZT60B21S	TP9C100C20MP13C	21.0	CF/CM64D	2	1600	56.5	41.5	—	12.25	58.0	37.2	9.25	8.25	3.78	2.68
YZT60B21S	TP9C100C20MP13C	24.5	XAFD60J	1	1050	44.0	27.8	15.25	22.10	39.5	—	—	—	3.20	—
YZT60B21S	TP9C100C20MP13C	24.5	XAFD60J	2	1625	53.5	35.2	—	11.50	56.5	35.8	8.20	6.55	3.46	2.32
YZT60B21S	TP9C100C20MP13C	24.5	XAHD60J	1	975	44.0	28.8	15.00	22.20	39.5	—	—	—	3.26	—
YZT60B21S	TP9C100C20MP13C	24.5	XAHD60J	2	1600	54.5	39.5	—	11.50	58.5	37.8	8.55	7.05	3.58	2.46
YZT60B21S	TP9C120D20MP13C	24.5	CF/CM64D	1	1000	40.5	27.2	16.00	20.65	37.0	—	—	—	3.44	—
YZT60B21S	TP9C120D20MP13C	24.5	CF/CM64D	2	1575	56.5	41.0	—	12.50	58.0	37.0	9.60	8.30	3.80	2.70
YZT60B21S	TP9C120D20MP13C	24.5	XAFD60J	1	1125	44.5	28.4	15.50	22.40	39.5	—	—	—	3.30	—
YZT60B21S	TP9C120D20MP13C	24.5	XAFD60J	2	1800	54.0	36.0	—	11.50	56.5	36.2	8.20	6.65	3.54	2.38
YZT60B21S	TP9C120D20MP13C	24.5	XAHD60J	1	1025	44.5	29.4	15.00	22.50	39.5	—	—	—	3.32	—
YZT60B21S	TP9C120D20MP13C	24.5	XAHD60J	2	1650	55.0	40.0	—	12.00	58.5	37.6	8.55	6.95	3.62	2.46
YZT60B21S	TPLC100C20MP13C	21.0	CF/CM64D	1	1075	41.0	28.0	16.50	20.80	37.2	—	—	—	3.52	—
YZT60B21S	TPLC100C20MP13C	21.0	CF/CM64D	2	1550	56.5	41.0	—	12.50	57.5	36.8	9.25	8.05	3.80	2.58
YZT60B21S	TPLC100C20MP13C	24.5	XAFD60J	1	1225	45.0	29.2	15.50	22.30	40.0	—	—	—	3.38	—
YZT60B21S	TPLC100C20MP13C	24.5	XAFD60J	2	1775	54.0	35.4	—	11.50	56.5	36.2	8.20	6.65	3.52	2.38
YZT60B21S	TPLC120C20MP13C	21.0	CF/CM64D	1	1075	41.0	28.0	16.50	20.80	37.2	—	—	—	3.52	—

**SYSTEM CAPACITY — With High Efficiency Motor Furnaces<sup>1</sup> (Continued)**

UNIT MODEL	FURNACE MODEL	WIDTH	COIL MODEL <sup>2</sup>	Stage	COOLING					HEATING					
					RATED CFM	NET MBH		SEER	EER	NET MBH		HSPF IV	HSPF V	COP	
						TOTAL	SENS.			47°F OD	17°F OD			47°F OD	17°F OD
YZT60B21S	TPLC120C20MP13C	21.0	CF/CM64D	2	1550	56.5	41.0	—	12.50	57.5	36.8	9.25	8.05	3.80	2.58
YZT60B21S	TPLC120C20MP13C	24.5	XAFD60J	1	1225	45.0	29.2	15.50	22.30	40.0	—	—	—	3.38	—
YZT60B21S	TPLC120C20MP13C	24.5	XAFD60J	2	1775	54.0	35.4	—	11.50	56.5	36.2	8.20	6.65	3.52	2.38
YZT60B21S	YP9C100C16MP13C	24.5	XAFD60J	1	1100	44.5	28.4	15.25	22.05	39.5	—	—	—	3.26	—
YZT60B21S	YP9C100C16MP13C	24.5	XAFD60J	2	1600	53.5	35.4	—	11.50	56.5	35.6	8.20	6.55	3.46	2.32
YZT60B21S	YP9C100C20MP13C	21.0	CF/CM64D	1	975	40.0	26.6	16.00	20.40	37.0	—	—	—	3.40	—
YZT60B21S	YP9C100C20MP13C	21.0	CF/CM64D	2	1600	56.5	41.5	—	12.25	58.0	37.2	9.25	8.25	3.78	2.68
YZT60B21S	YP9C100C20MP13C	24.5	XAFD60J	1	1050	44.0	27.8	15.25	22.10	39.5	—	—	—	3.20	—
YZT60B21S	YP9C100C20MP13C	24.5	XAFD60J	2	1625	53.5	35.2	—	11.50	56.5	35.8	8.20	6.55	3.46	2.32
YZT60B21S	YP9C100C20MP13C	24.5	XAHD60J	1	975	44.0	28.8	15.00	22.20	39.5	—	—	—	3.26	—
YZT60B21S	YP9C100C20MP13C	24.5	XAHD60J	2	1600	54.5	39.5	—	11.50	58.5	37.8	8.55	7.05	3.58	2.46
YZT60B21S	YP9C120D20MP13C	24.5	CF/CM64D	1	1000	40.5	27.2	16.00	20.65	37.0	—	—	—	3.44	—
YZT60B21S	YP9C120D20MP13C	24.5	CF/CM64D	2	1575	56.5	41.0	—	12.50	58.0	37.0	9.60	8.30	3.80	2.70
YZT60B21S	YP9C120D20MP13C	24.5	XAFD60J	1	1125	44.5	28.4	15.50	22.40	39.5	—	—	—	3.30	—
YZT60B21S	YP9C120D20MP13C	24.5	XAFD60J	2	1800	54.0	36.0	—	11.50	56.5	36.2	8.20	6.65	3.54	2.38
YZT60B21S	YP9C120D20MP13C	24.5	XAHD60J	1	1025	44.5	29.4	15.00	22.50	39.5	—	—	—	3.32	—
YZT60B21S	YP9C120D20MP13C	24.5	XAHD60J	2	1650	55.0	40.0	—	12.00	58.5	37.6	8.55	6.95	3.62	2.46
YZT60B21S	YPLC100C20MP13C	21.0	CF/CM64D	1	1075	41.0	28.0	16.50	20.80	37.2	—	—	—	3.52	—
YZT60B21S	YPLC100C20MP13C	21.0	CF/CM64D	2	1550	56.5	41.0	—	12.50	57.5	36.8	9.25	8.05	3.80	2.58
YZT60B21S	YPLC100C20MP13C	24.5	XAFD60J	1	1225	45.0	29.2	15.50	22.30	40.0	—	—	—	3.38	—
YZT60B21S	YPLC100C20MP13C	24.5	XAFD60J	2	1775	54.0	35.4	—	11.50	56.5	36.2	8.20	6.65	3.52	2.38
YZT60B21S	YPLC120C20MP13C	21.0	CF/CM64D	1	1075	41.0	28.0	16.50	20.80	37.2	—	—	—	3.52	—
YZT60B21S	YPLC120C20MP13C	21.0	CF/CM64D	2	1550	56.5	41.0	—	12.50	57.5	36.8	9.25	8.05	3.80	2.58
YZT60B21S	YPLC120C20MP13C	24.5	XAFD60J	1	1225	45.0	29.2	15.50	22.30	40.0	—	—	—	3.38	—
YZT60B21S	YPLC120C20MP13C	24.5	XAFD60J	2	1775	54.0	35.4	—	11.50	56.5	36.2	8.20	6.65	3.52	2.38

1. High Efficiency Motor Furnaces have B.O.D. (Blower on Delay) standard.

2. CM coils available with a factory installed horizontal drain pan. See price pages for specific model number.

## APPLICATIONS AND ACCESSORIES

Refer to Price Manual for specific model numbers.

Standard Application Limits*		
Maximum Lineset Equivalent Length		80 ft
Outdoor Ambient Temperature Limits		
Cooling Operation	Maximum DB	125°F
	Minimum DB	35°F
Heating Operation	Maximum DB	75°F
	Minimum DB	-20°F

\* For Low Ambient and/or Long Lineset Applications, please see the accessories listed below.

**Non-Standard Lineset Applications** - For installations with reduced diameter or long linesets, refer to the current version of the Piping Application Guide P/N 247077, available in the Application Bulletins section on [www.simplygettingthejobdone.com](http://www.simplygettingthejobdone.com).

**Start Assist Kit S1-2SA067\*\*\*\***: Provides increased compressor starting torque for areas with low supply voltage. Required for all units when applied with long linesets. See Price Pages or Source1 SmartSearch for the correct kit for each application.

**Support Feet S1-HPRKIT\*\***: Kit of 5 support feet to raise unit above snow or landscaping. Available in heights of 3 in., 6 in., or 12 in.

**Anchor Bracket Ground Mount Kit S1-1HK0701**: Firmly

anchors unit to pad or support structure. When properly installed, approved for ground-mounted applications.

**Anchor Bracket Roof Mount Kit S1-1HK0901**: Firmly anchors unit to pad or support structure. When properly installed, approved for roof-mounted applications.

**Indoor TXV Kit S1-1TVM\*\*\***: Thermal expansion valves precisely meter refrigerant for optimum performance over a wide range of conditions. See System Charge Table & Price Pages for TXV part number for each AC and HP model.

**Winter Cover Kit S1-CCVRE\*\*\***: Custom fit winter cover protects AC condensing unit from debris during the off-season. Must be removed prior to unit operation. See Price Pages for the correct cover for each application.

**Cold Weather Charging Tent S1-CHGTENT01**: Provides warm environment to accurately service AC and HP systems in ambient conditions 55°F (13°C) or colder.

**Touch-up Paint S1-5130153\*\*\*\***: Color matched aerosol paint for touching up unit chassis and panels. See Price Pages or Source1 SmartSearch for the correct color for each application.

**Thermostat**: Compatible thermostat controls are available through accessory sourcing. For optimum performance, these outdoor units are fully compatible with our York Hx™ Touch-screen Thermostats available through Source1. For more information, see the thermostat section of the Offering Catalog.

## SOUND POWER RATINGS - COOLING

Stage 1 - Cooling	Octave Band Sound Power Level (db re. 1-pW)									
Model Number	63	125	250	500	1000	2000	4000	8000	dBA	SQI
YZT24B21S	66	67	60	62	64	55	51	46	66	19.0
YZT36B21S	66	67	61	66	66	57	51	50	68	19.0
YZT48B21S	67	68	65	68	69	58	54	51	71	19.0
YZT60B21S	68	72	68	70	69	62	56	54	72	19.0
Stage 2 - Cooling	Octave Band Sound Power Level (db re. 1-pW)									
YZT24B21S	66	66	61	66	66	57	51	49	68	19.0
YZT36B21S	68	72	68	70	70	62	56	54	72	19.0
YZT48B21S	75	70	68	70	69	63	56	53	73	19.0
YZT60B21S	67	72	70	72	70	62	57	53	73	19.0

Rated in accordance with ARI Standard 270.

## SOUND POWER RATINGS - HEATING

Stage 1 - Heating	Octave Band Sound Power Level (db re. 1-pW)									
Model Number	63	125	250	500	1000	2000	4000	8000	dBA	SQI
YZT24B21S	65	65	61	66	63	53	50	47	67	19
YZT36B21S	68	70	67	70	68	60	56	52	71	19
YZT48B21S	65	65	64	67	68	58	54	48	70	19
YZT60B21S	66	66	62	69	66	59	56	56	70	19
Stage 2 - Heating	Octave Band Sound Power Level (db re. 1-pW)									
YZT24B21S	66	70	66	68	68	59	56	51	71	19
YZT36B21S	68	72	67	70	69	61	56	54	72	19
YZT48B21S	67	71	70	72	70	62	56	53	73	19
YZT60B21S	75	72	67	70	71	62	56	52	73	19

Rated in accordance with ARI Standard 270.

## MECHANICAL SPECIFICATIONS

### MANUFACTURE AND CERTIFICATIONS

- Units shall be manufactured in an ISO 9001 certified facility.
- Units shall be certified by CSA to UL 1995 / CSA 22.2 and performance certified to ANSI/AHRI Standard 210/240.
- Units shall be sound tested according to ANSI/AHRI Standard 270.
- Certified matched system ratings will be available for download from the AHRI online directory at [www.ahridirectory.org](http://www.ahridirectory.org).
- Unit packaging shall be marked, "Assembled in the USA".
- Unit shall be labeled with the ENERGY STAR logo.
- Unit shall be recognized as ENERGY STAR Most Efficient. (May apply only to select models in each series).

### UNIT APPLICATION

- Units shall be approved for cooling operation between 55°F and 125°F without modification.
- Units shall be approved for heating operation between -20°F and 75°F without modification.
- Units shall be approved for linesets up to 80 ft equivalent length without modification.
- Units shall be approved for installation within 6 inches of a flat vertical wall without modification, according to the instructions in the technical literature.
- Units shall be certified to the 5th Edition (2014) of the Florida Building Code for both Ground Mounted and Rooftop Mounted applications up to 200 ft above grade with approved mounting kit.
- Units shall be designed to 74dBA or less to minimize sound pollution.

### UNIT ACCESS

- Units shall have a removable fan guard that can be removed independently of the top for interior access through the top of the unit without damaging the coil.
- Units shall have two removable stamped steel coil guards for exterior coil access.
- Units shall have a separate compartment for electrical controls that can be accessed without disturbing the unit airflow.
- Units shall have a blockoff panel that can be removed to provide interior unit access through the side of the unit.
- Units shall have a removable blockoff panel and a swing away removable electrical panel that provides sufficient interior unit access for removing the compressor through the side of the unit.

### UNIT CONSTRUCTION

- Units shall be shipped completely wired, piped and assembled. Wiring pigtailed shall be provided for field control wiring connections. Service valves shall be provided for field refrigerant line connections.
- Units shall be factory leak checked, run tested, and shipped with a holding charge of R-410A refrigerant.
- Unit cabinet components shall be G90 equivalent steel finished with powder-coat paint rated at a minimum of 1,000 hours under ASTM B117 testing.

- Unit shall be constructed with a composite base pan to prevent corrosion and minimize noise and vibration.
- Units shall have a single corner post opposite the electrical control box and two independently removable steel coil guard panels to optimize cabinet strength and serviceability.
- Units shall have L-shaped stamped sheet metal coil guards with interior facing extrusions for superior panel stiffness and durability from hail and other mechanical impacts.
- Units shall have L-shaped stamped sheet metal coil guards with extruded louvers for maximum panel durability and system protection.
- Units shall have a factory installed bi-directional stainless steel filter-drier for faster installation and improved system reliability.
- Unit base valves shall be mounted diagonally on the unit base pan with service ports that provide sufficient clearance for low-loss hose fittings.
- Units shall provide a service port mounted in the base pan such that panels can be removed without moving the service port.
- Units shall be constructed with a high pressure switch and a low pressure switch for system protection.
- Units shall be constructed with a high pressure switch for system protection.
- Units shall be constructed with all badging and labels applied at the factory.

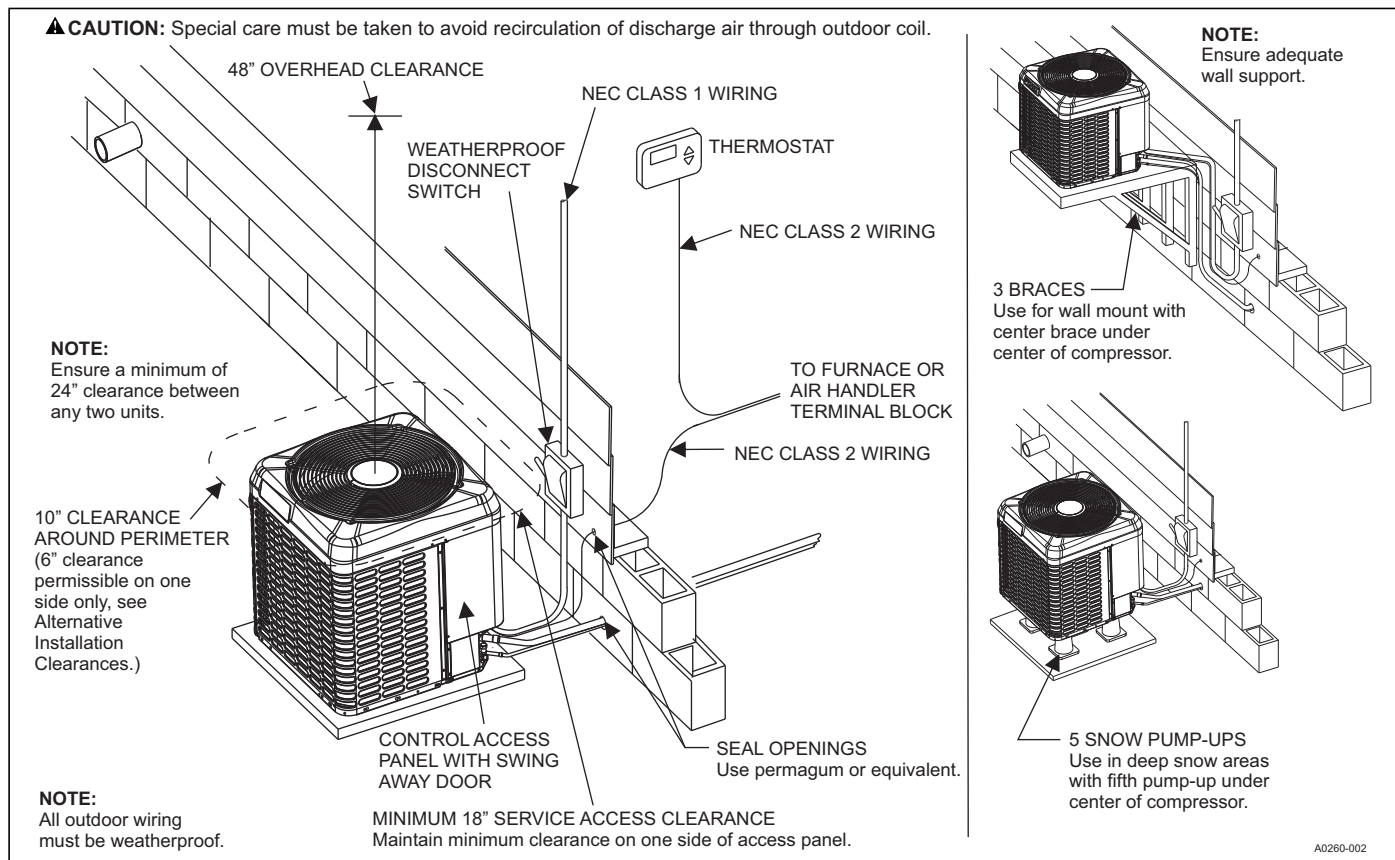
### UNIT COMPONENTS

- Compressor shall be hermetic with internal electrical overload protection and internal overpressure protection.
- Compressor shall be mounted on neoprene vibration isolators that do not require the removal of transportation clips or brackets.
- Units shall be constructed with scroll compressors.
- Outdoor fan shall be direct drive with vertical air discharge for low sound levels.
- Outdoor fan blades shall be swept-wing to minimize sound.
- Outdoor fan motor shall be totally enclosed with permanently lubricated ball bearings motors approved for vertical shaft applications.
- Outdoor fan motor shall be ECM construction with permanently lubricated ball bearing motors approved for vertical shaft applications.
- Outdoor coil shall be air cooled and constructed of enhanced aluminum fins mechanically bonded to internally enhanced Ø 7mm copper tubing.

### UNIT WARRANTIES

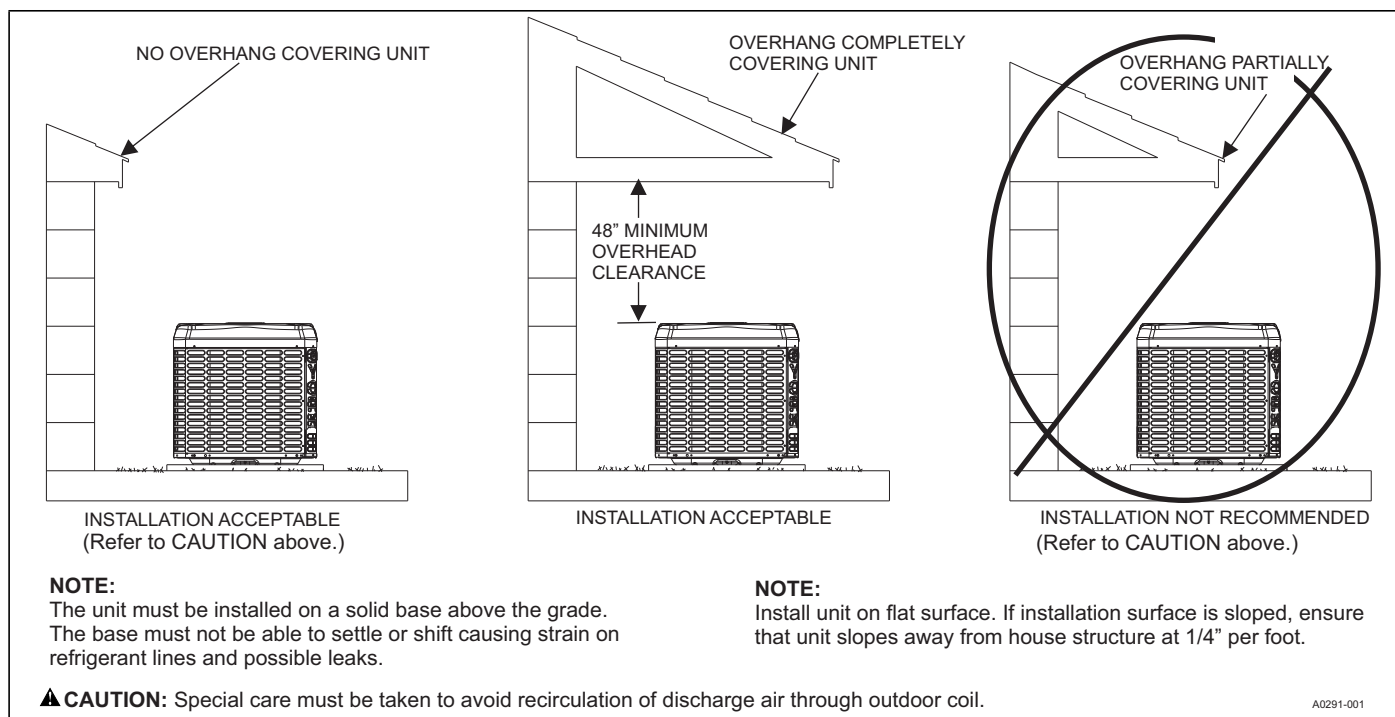
- Unit manufacturer shall provide a 10-Year compressor warranty without a requirement for unit registration.
- Unit manufacturer shall provide a Limited Lifetime compressor warranty with unit registration.

**TYPICAL INSTALLATION**

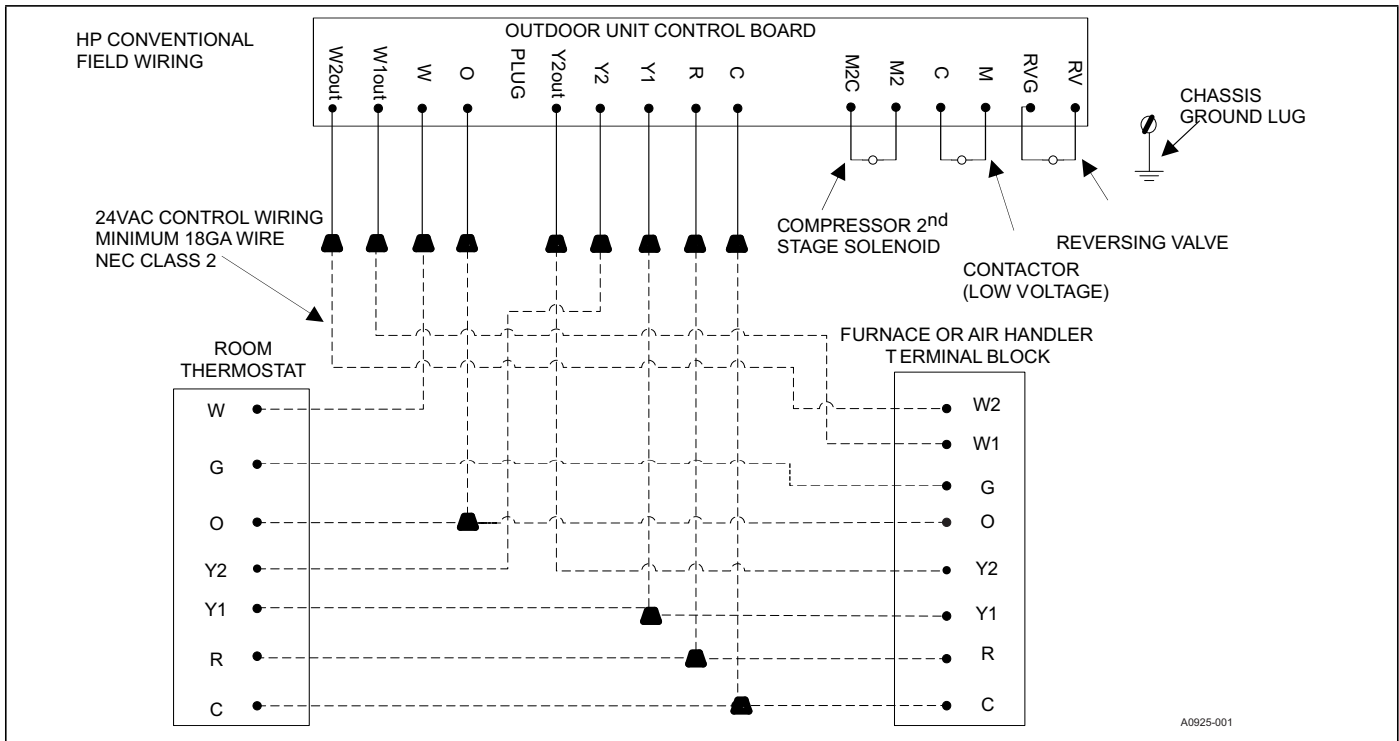


**▲ CAUTION**

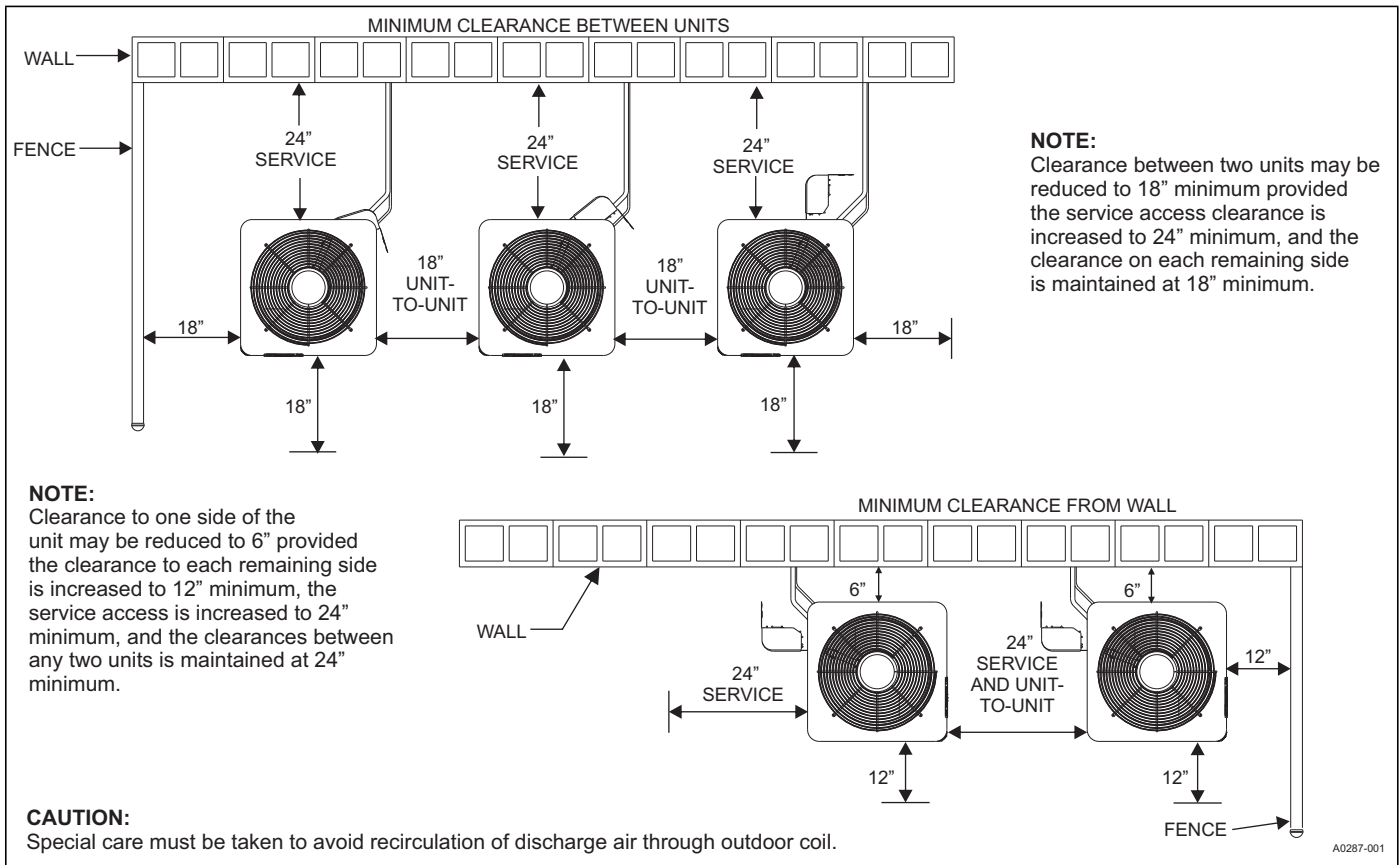
*Care must be taken to prevent ice from damaging the unit. Damage may occur from ice falling onto unit from a sloped roof or from a vertical drip line due to a partial overhang.*



**TYPICAL FIELD WIRING**



**ALTERNATIVE INSTALLATION CLEARANCES**





## PERFORMANCE DATA - 2 TON

CONDENSER-ONLY DATA (OUTDOOR UNIT)																
MODEL	SATURATED SUCTION AT COMPRESSOR		Outdoor Ambient Temperature													
			65 °F		75 °F		85 °F		95 °F		105 °F		115 °F		125 °F	
	T (°F)	P (PSIG)	MBH	KW	MBH	KW	MBH	KW	MBH	KW	MBH	KW	MBH	KW	MBH	KW
YZT24B21S	35	107.4	21.20	1.13	19.88	1.22	18.57	1.32	17.25	1.42	15.93	1.52	14.62	1.62	13.30	1.72
	40	118.6	23.47	1.12	22.01	1.22	20.56	1.33	19.10	1.44	17.64	1.54	16.19	1.65	14.73	1.75
	45	130.4	25.74	1.11	24.14	1.23	22.54	1.34	20.95	1.45	19.35	1.56	17.76	1.68	16.16	1.79
	50	143.0	28.00	1.11	26.27	1.23	24.53	1.35	22.80	1.47	21.06	1.59	19.33	1.71	17.60	1.83
	55	156.3	30.27	1.10	28.40	1.23	26.52	1.35	24.65	1.48	22.78	1.61	20.90	1.74	19.03	1.87
	60	170.3	32.54	1.09	30.52	1.23	28.51	1.36	26.50	1.50	24.49	1.63	22.47	1.77	20.46	1.90

## Notes:

- For Outdoor Unit (Condenser) performance only. Data does not include the effects of air handler power or heat.
- Performance based on 15°F subcooling and 15°F superheat at the Outdoor Unit base valves.
  - Increase capacity by 1% for each 2°F increase in subcooling.
  - Decrease capacity by 1% for each 2°F decrease in subcooling.
- Maximum recommended condensing temperature is 140°F.

COOLING PERFORMANCE DATA																	
AIR CONDITIONER MODEL NO.		YZT24B21S															
AIR TEMPERATURE ENTERING OUTDOOR UNIT (°F)	IDCFM	650					850					1050					
		ID DB (°F)	80	80	75	80	80	80	80	75	80	80	80	80	75	80	80
		ID WB (°F)	57	62	62	67	72	57	62	62	67	72	57	62	62	67	72
65	T.C.	22.5	24.2	24.3	26.9	29.3	24.3	25.3	25.5	27.9	30.2	26.0	26.4	26.7	28.8	31.2	
	S.C.	22.2	20.4	17.3	17.2	13.5	24.0	23.5	19.6	19.5	14.8	25.9	26.4	22.0	21.7	16.1	
	KW	1.14	1.13	1.13	1.14	1.15	1.21	1.21	1.20	1.21	1.22	1.28	1.28	1.28	1.28	1.29	
75	T.C.	21.8	23.4	23.3	26.0	28.1	23.5	24.3	24.4	27.0	29.2	25.2	25.2	25.4	27.9	30.3	
	S.C.	21.6	19.9	16.9	16.8	13.0	23.3	22.7	19.1	19.0	14.4	25.1	25.2	21.4	21.3	15.7	
	KW	1.29	1.28	1.28	1.28	1.28	1.35	1.35	1.35	1.35	1.35	1.42	1.42	1.42	1.42	1.42	
85	T.C.	21.2	22.5	22.3	25.1	26.9	22.8	23.2	23.2	26.1	28.2	24.4	24.0	24.1	27.1	29.5	
	S.C.	21.0	19.5	16.4	16.3	12.6	22.6	22.0	18.6	18.6	14.0	24.3	24.0	20.8	20.9	15.4	
	KW	1.43	1.43	1.42	1.42	1.41	1.50	1.49	1.49	1.49	1.48	1.56	1.56	1.56	1.56	1.55	
95	T.C.	20.3	21.1	21.3	23.6	25.7	21.7	22.0	22.3	24.6	27.0	23.2	23.0	23.4	25.6	28.2	
	S.C.	20.1	18.8	15.9	15.8	12.2	21.6	21.5	18.2	18.0	13.6	23.1	23.0	20.4	20.3	15.0	
	KW	1.57	1.57	1.57	1.57	1.56	1.64	1.64	1.64	1.64	1.63	1.71	1.71	1.71	1.71	1.70	
105	T.C.	19.4	19.7	20.3	22.1	24.5	20.7	20.8	21.5	23.1	25.7	22.0	22.0	22.7	24.0	27.0	
	S.C.	19.3	18.2	15.4	15.2	11.8	20.6	20.8	17.7	17.5	13.2	22.0	22.0	20.1	19.8	14.6	
	KW	1.72	1.72	1.72	1.72	1.71	1.79	1.79	1.79	1.79	1.77	1.86	1.87	1.86	1.86	1.84	
115	T.C.	18.6	18.8	19.0	21.1	23.3	19.9	19.8	20.1	22.0	24.4	21.1	20.9	21.2	22.9	25.5	
	S.C.	18.5	17.7	14.9	14.9	11.4	19.8	19.8	17.1	17.1	12.8	21.1	20.9	19.3	19.3	14.1	
	KW	1.89	1.89	1.89	1.89	1.88	1.96	1.97	1.96	1.96	1.95	2.03	2.04	2.03	2.03	2.02	
125	T.C.	17.9	17.9	17.7	20.2	22.1	19.0	18.9	18.8	21.0	23.0	20.1	19.8	19.8	21.8	23.9	
	S.C.	17.8	17.3	14.4	14.5	11.0	19.0	18.9	16.5	16.7	12.3	20.1	19.8	18.6	18.8	13.5	
	KW	2.07	2.07	2.07	2.07	2.06	2.14	2.14	2.14	2.14	2.13	2.21	2.21	2.21	2.21	2.20	

**NOTE:** ALL CAPACITIES INCLUDE INDOOR FAN HEAT. KW VALUES ARE FOR THE SYSTEM (OUTDOOR + INDOOR).

Green shaded cells are ACCA (TVA) conditions.

Blue shaded cells are AHRI conditions.

**Multipliers for determining the performance with other indoor sections.**

**NOTE:** For dry bulb temperatures different than those listed (between 73-87 °F), sensible capacity increases by 1060 BTUH per 1000 CFM per degree above the listed temperature and decreases by 1060 BTUH per 1000 CFM per degree below the listed temperature.

**COIL MULTIPLIERS - 2 TON**

Air Handler	Coil	T.C.	S.C.	KW
AE24BX21	—	0.91	1.05	1.01
AE30BX21	—	0.94	1.05	1.01
AE36CX21	—	0.97	1.10	0.97
AVC24BX21	—	0.90	1.04	1.00
AVC30BX21	—	0.93	1.06	0.99
AVC36BX21	—	0.95	1.09	1.02
AVC36CX21	—	0.97	1.07	0.97
ME08BN21	CF/CM24B	0.90	1.04	1.00
ME08BN21	CF/CM30B	0.94	1.06	1.00
ME08BN21	CF/CM36B	0.97	1.08	1.04
ME08BN21	XAF/XAUB36D	0.98	0.88	0.99
ME08BN21	XAHB36D	0.96	0.86	1.00
ME12BN21	CF/CM24B	0.91	1.05	0.97
ME12BN21	CF/CM30B	0.93	1.07	1.00
ME12BN21	CF/CM36B	0.96	1.09	1.03
ME12CN21	CF/CM24C	0.91	1.05	0.98
ME12CN21	CF/CM30C	0.93	1.07	1.00
ME12CN21	CF/CM36C	0.97	1.09	0.97
ME12CN21	XAFC36D	0.97	0.91	0.97
ME12CN21	XAHC36D	0.95	0.89	0.98
ME12CN41	XAFC36D	0.97	0.91	0.98
ME12CN41	XAHC36D	0.95	0.89	0.98
MVC08BN21	CF/CM24B	0.90	1.04	1.00
MVC08BN21	CF/CM30B	0.94	1.06	1.00
MVC08BN21	CF/CM36B	0.97	1.08	1.04
MVC12BN21	CF/CM24B	0.91	1.05	1.01
MVC12BN21	CF/CM30B	0.93	1.07	1.00
MVC12BN21	CF/CM36B	0.96	1.09	1.03
MVC12BN21	XAF/XAUB36D	0.97	0.86	0.99
MVC12BN21	XAHB36D	0.95	0.82	0.98
MVC12CN21	CF/CM24C	0.91	1.05	0.97
MVC12CN21	CF/CM30C	0.93	1.07	1.03
MVC12CN21	CF/CM36C	0.96	1.01	0.96
MVC12CN21	XAFC36D	0.97	0.88	0.97
MVC12CN21	XAHC36D	0.96	0.86	0.97

**FURNACE MULTIPLIERS - 2 TON**

Furnaces	Coil	T.C.	S.C.	KW
TL8E060A12UH11	CF/CM/36A	0.98	1.04	1.05
TL8E060A12UH11	CF/CM/CU24A	0.92	0.98	1.07
TL8E060A12UH11	CF/CM/CU24B	0.92	0.96	1.06
TL8E060A12UH11	CF/CM/CU36B	0.97	1.00	1.04
TL8E060A12UH11	XAF/XAUB36D	0.97	0.89	1.01
TL8E060A12UH11	XAFA30D	0.97	0.90	1.01
TL8E060A12UH11	XAHB36D	0.95	0.87	1.01
TL9E060B12UH11	CF/CM/CU24B	0.92	0.97	1.10
TL9E060B12UH11	CF/CM/CU24C	0.91	0.95	1.05
TL9E060B12UH11	CF/CM/CU30C	0.89	0.93	1.07
TL9E060B12UH11	CF/CM/CU36B	0.97	1.01	1.04
TL9E060B12UH11	CF/CM/CU36C	0.96	0.99	1.03
TL9E060B12UH11	XAF/XAUB36D	0.97	0.89	1.02

**FURNACE MULTIPLIERS - 2 TON (Continued)**

Furnaces	Coil	T.C.	S.C.	KW
TL9E060B12UH11	XAFC36D	0.97	0.89	1.02
TL9E060B12UH11	XAHB36D	0.94	0.86	1.02
TL9E060B12UH11	XAHC36D	0.94	0.85	1.02
TM8E040A12MP11	CF/CM/36A	0.98	1.04	1.05
TM8E040A12MP11	CF/CM/CU24A	0.93	0.99	1.08
TM8E040A12MP11	CF/CM/CU24B	0.92	0.96	1.06
TM8E040A12MP11	CF/CM/CU36B	0.97	1.00	1.04
TM8E040A12MP11	XAF/XAUB36D	0.97	0.88	1.00
TM8E040A12MP11	XAFA30D	0.97	0.90	1.01
TM8E040A12MP11	XAHB36D	0.95	0.91	1.00
TM8E060A12MP11	CF/CM/36A	0.98	1.02	1.05
TM8E060A12MP11	CF/CM/CU24B	0.92	0.96	1.06
TM8E060A12MP11	XAF/XAUB36D	0.97	0.88	1.00
TM8E060A12MP11	XAFA30D	0.97	0.90	1.01
TM8E080B12MP11	CF/CM/CU24B	0.91	0.93	1.05
TM8E080B12MP11	XAF/XAUB36D	0.96	0.87	1.00
TM8E080B12MP11	XAFC36D	0.97	0.87	1.00
TM8E080C16MP11	XAFC36D	0.97	0.87	0.99
TM8E100B12MP11	CF/CM/CU24B	0.93	0.99	1.08
TM8E100B12MP11	CF/CM/CU24C	0.93	0.98	1.03
TM8E100B12MP11	CF/CM/CU30B	0.90	0.96	1.04
TM8E100B12MP11	CF/CM/CU30C	0.90	0.96	1.04
TM8E100B12MP11	CF/CM/CU36B	0.98	1.04	1.05
TM8E100B12MP11	CF/CM/CU36C	0.98	1.02	1.05
TM8E100B12MP11	XAF/XAUB36D	0.97	0.91	1.00
TM8E100B12MP11	XAFC36D	0.97	0.91	1.00
TM8E100C16MP11	XAFC36D	0.97	0.87	0.99
TM8E120C16MP11	XAFC36D	0.97	0.87	0.99
TM8V060A12MP12C	CF/CM/36A	0.95	1.07	1.02
TM8V060A12MP12C	CF/CM/CU24A	0.90	1.03	1.03
TM8V060A12MP12C	CF/CM/CU24B	0.90	1.04	1.00
TM8V060A12MP12C	CF/CM/CU30B	0.92	1.06	1.02
TM8V060A12MP12C	CF/CM/CU36B	0.95	1.07	1.02
TM8V080B12MP12C	CF/CM/CU24C	0.90	1.04	1.04
TM8V080B12MP12C	CF/CM/CU30B	0.92	1.05	1.07
TM8V080B12MP12C	CF/CM/CU30C	0.92	1.05	1.03
TM8V080B12MP12C	CF/CM/CU36B	0.96	1.07	1.02
TM8V080B12MP12C	CF/CM/CU36C	0.96	1.08	1.03
TM8V080B12MP12C	XAF/XAUB36D	0.97	0.90	1.02
TM8V080B12MP12C	XAHB36D	0.94	0.86	1.03
TM8V080B12MP12C	XAHC36D	0.95	0.87	1.02
TM8V080C16MP12C	CF/CM/CU24C	0.91	1.05	1.01
TM8V080C16MP12C	CF/CM/CU30C	0.92	1.06	0.99
TM8V080C16MP12C	CF/CM/CU36C	0.96	1.09	1.03
TM8V100C16MP12C	CF/CM/CU24C	0.91	1.05	1.01
TM8V100C16MP12C	CF/CM/CU30C	0.92	1.06	0.99
TM8V100C16MP12C	CF/CM/CU36C	0.96	1.09	1.03
TM8Y060A12MP11	XAF/XAUB36D	0.96	0.86	1.02
TM8Y060A12MP11	XAFA30D	0.96	0.87	1.04
TM8Y060A12MP11	XAHB36D	0.94	0.83	1.02
TM8Y080B12MP11	XAF/XAUB36D	0.97	0.91	1.00

## FURNACE MULTIPLIERS - 2 TON (Continued)

Furnaces	Coil	T.C.	S.C.	KW
TM8Y080B12MP11	XAFC36D	0.97	0.91	1.00
TM8Y080B12MP11	XAHB36D	0.95	0.88	1.00
TM8Y080C16MP11	XAFC36D	0.97	0.87	0.99
TM9E026A08MP12	XAF/XAUB36D	0.95	0.87	1.06
TM9E026A08MP12	XAFA30D	0.96	0.88	1.08
TM9E026A08MP12	XAHB36D	0.94	0.84	1.06
TM9E040A10MP12	CF/CM/36A	0.98	1.04	1.09
TM9E040A10MP12	CF/CM/CU24A	0.92	1.01	1.11
TM9E040A10MP12	CF/CM/CU24B	0.92	0.97	1.10
TM9E040A10MP12	CF/CM/CU30B	0.89	0.95	1.07
TM9E040A10MP12	CF/CM/CU36B	0.97	1.02	1.08
TM9E040A10MP12	XAF/XAUB36D	0.96	0.90	1.05
TM9E040A10MP12	XAFA30D	0.96	0.91	1.05
TM9E040A10MP12	XAHB36D	0.94	0.88	1.05
TM9E060A10MP12	CF/CM/36A	0.96	1.00	1.07
TM9E060A10MP12	CF/CM/CU24A	0.93	1.00	1.11
TM9E060A10MP12	CF/CM/CU24B	0.92	0.98	1.07
TM9E060A10MP12	CF/CM/CU30B	0.89	0.95	1.07
TM9E060A10MP12	CF/CM/CU36B	0.97	1.01	1.04
TM9E060A10MP12	XAF/XAUB36D	0.96	0.87	1.03
TM9E060A10MP12	XAFA30D	0.96	0.88	1.04
TM9E060B12MP12	XAF/XAUB36D	0.96	0.86	1.03
TM9E060B12MP12	XAFC36D	0.96	0.86	1.03
TM9E080B12MP12	XAF/XAUB36D	0.96	0.86	1.01
TM9E080B12MP12	XAFC36D	0.96	0.86	1.01
TM9E080C16MP12	XAFC36D	0.97	0.88	1.00
TM9E100C16MP12	XAFC36D	0.97	0.87	1.00
TM9V040A10MP12C	XAF/XAUB36D	0.96	0.90	1.05
TM9V040A10MP12C	XAFA30D	0.96	0.91	1.05
TM9V040A10MP12C	XAHB36D	0.94	0.88	1.05
TM9V060B12MP12C	CF/CM/CU24B	0.90	1.03	1.04
TM9V060B12MP12C	CF/CM/CU24C	0.90	1.03	1.04
TM9V060B12MP12C	CF/CM/CU30B	0.91	1.05	1.05
TM9V060B12MP12C	CF/CM/CU30C	0.92	1.06	1.02
TM9V060B12MP12C	CF/CM/CU36B	0.95	1.07	1.02
TM9V060B12MP12C	CF/CM/CU36C	0.95	1.07	1.02
TM9V060B12MP12C	XAF/XAUB36D	0.96	0.87	1.03
TM9V060B12MP12C	XAFC36D	0.96	0.87	1.03
TM9V060B12MP12C	XAHB36D	0.94	0.83	1.03
TM9V060B12MP12C	XAHC36D	0.95	0.85	1.03
TM9V080B12MP12C	CF/CM/CU24B	0.90	1.04	1.00
TM9V080B12MP12C	CF/CM/CU24C	0.90	1.04	1.00
TM9V080B12MP12C	CF/CM/CU30B	0.93	1.05	1.03
TM9V080B12MP12C	CF/CM/CU30C	0.93	1.06	1.03
TM9V080B12MP12C	CF/CM/CU36B	0.96	1.08	1.03
TM9V080B12MP12C	CF/CM/CU36C	0.96	1.07	1.03
TM9V080B12MP12C	XAF/XAUB36D	0.96	0.87	1.01
TM9V080B12MP12C	XAFC36D	0.97	0.89	1.01
TM9V080B12MP12C	XAHB36D	0.95	0.88	1.01
TM9V080B12MP12C	XAHC36D	0.95	0.88	1.00
TM9V100C16MP12C	CF/CM/CU30C	0.93	1.07	0.99
TM9V100C16MP12C	CF/CM/CU36C	0.96	1.09	1.03
TM9V100C16MP12C	XAFC36D	0.97	0.87	0.99
TM9Y040A10MP11	CF/CM/36A	0.95	1.05	1.10

## FURNACE MULTIPLIERS - 2 TON (Continued)

Furnaces	Coil	T.C.	S.C.	KW
TM9Y040A10MP11	CF/CM/CU24A	0.88	1.02	1.11
TM9Y040A10MP11	CF/CM/CU24B	0.89	1.02	1.11
TM9Y040A10MP11	CF/CM/CU30B	0.92	1.05	1.10
TM9Y040A10MP11	CF/CM/CU36B	0.95	1.06	1.09
TM9Y040A10MP11	XAF/XAUB36D	0.95	0.89	1.06
TM9Y040A10MP11	XAFA30D	0.96	0.91	1.08
TM9Y040A10MP11	XAHB36D	0.93	0.87	1.07
TM9Y060B12MP11	XAF/XAUB36D	0.96	0.84	1.03
TM9Y060B12MP11	XAFC36D	0.97	0.89	1.02
TM9Y080B12MP11	CF/CM/CU30B	0.92	1.06	1.06
TM9Y080B12MP11	CF/CM/CU36B	0.96	1.09	1.03
TM9Y080B12MP11	XAF/XAUB36D	0.96	0.87	1.01
TM9Y080B12MP11	XAFC36D	0.97	0.87	1.01
TM9Y080C16MP11	XAFC36D	0.97	0.85	1.00
TM9Y080C16MP11	XAHC36D	0.95	0.82	1.00
TM9Y100C16MP11	XAFC36D	0.97	0.85	0.99
TM9Y100C16MP11	XAHC36D	0.95	0.82	0.99
TMLE040A12MP11	CF/CM/36A	0.98	1.04	1.05
TMLE040A12MP11	CF/CM/CU24A	0.93	0.99	1.08
TMLE040A12MP11	CF/CM/CU24B	0.92	0.96	1.06
TMLE040A12MP11	CF/CM/CU36B	0.97	1.00	1.04
TMLE040A12MP11	XAF/XAUB36D	0.97	0.88	1.00
TMLE040A12MP11	XAFA30D	0.97	0.90	1.01
TMLE040A12MP11	XAHB36D	0.95	0.91	1.00
TMLE060A12MP11	CF/CM/36A	0.98	1.02	1.05
TMLE060A12MP11	CF/CM/CU24B	0.92	0.96	1.06
TMLE060A12MP11	XAF/XAUB36D	0.97	0.88	1.00
TMLE060A12MP11	XAFA30D	0.97	0.90	1.01
TMLE080B12MP11	CF/CM/CU24B	0.91	0.93	1.05
TMLE080B12MP11	XAF/XAUB36D	0.96	0.87	1.00
TMLE080B12MP11	XAFC36D	0.97	0.87	1.00
TMLE080C16MP11	XAFC36D	0.97	0.87	0.99
TMLE100B12MP11	CF/CM/CU24B	0.93	0.99	1.08
TMLE100B12MP11	CF/CM/CU24C	0.93	0.98	1.03
TMLE100B12MP11	CF/CM/CU30B	0.90	0.96	1.04
TMLE100B12MP11	CF/CM/CU30C	0.90	0.96	1.04
TMLE100B12MP11	CF/CM/CU36B	0.98	1.04	1.05
TMLE100B12MP11	CF/CM/CU36C	0.98	1.02	1.05
TMLE100B12MP11	XAF/XAUB36D	0.97	0.91	1.00
TMLE100B12MP11	XAFC36D	0.97	0.91	1.00
TMLE100C16MP11	XAFC36D	0.97	0.87	0.99
TMLE120C16MP11	XAFC36D	0.97	0.87	0.99
TMLV060A12MP12C	CF/CM/36A	0.95	1.07	1.02
TMLV060A12MP12C	CF/CM/CU24A	0.90	1.03	1.03
TMLV060A12MP12C	CF/CM/CU24B	0.90	1.04	1.00
TMLV060A12MP12C	CF/CM/CU30B	0.92	1.06	1.02
TMLV060A12MP12C	CF/CM/CU36B	0.95	1.07	1.02
TMLV080B12MP12C	CF/CM/CU24C	0.90	1.04	1.04
TMLV080B12MP12C	CF/CM/CU30B	0.92	1.05	1.07
TMLV080B12MP12C	CF/CM/CU30C	0.92	1.05	1.03
TMLV080B12MP12C	CF/CM/CU36B	0.96	1.07	1.02
TMLV080B12MP12C	CF/CM/CU36C	0.96	1.08	1.03
TMLV080C16MP12C	CF/CM/CU24C	0.91	1.05	1.01
TMLV080C16MP12C	CF/CM/CU30C	0.92	1.06	0.99

**FURNACE MULTIPLIERS - 2 TON (Continued)**

Furnaces	Coil	T.C.	S.C.	KW
TMLV080C16MP12C	CF/CM/CU36C	0.96	1.09	1.03
TMLV100C16MP12C	CF/CM/CU24C	0.91	1.05	1.01
TMLV100C16MP12C	CF/CM/CU30C	0.92	1.06	0.99
TMLV100C16MP12C	CF/CM/CU36C	0.96	1.09	1.03
TP9C060B12MP13C	CF/CM/CU24B	0.90	1.03	1.04
TP9C060B12MP13C	CF/CM/CU24C	0.90	1.03	1.04
TP9C060B12MP13C	CF/CM/CU30B	0.91	1.05	1.05
TP9C060B12MP13C	CF/CM/CU30C	0.92	1.06	1.02
TP9C060B12MP13C	CF/CM/CU36B	0.95	1.07	1.02
TP9C060B12MP13C	CF/CM/CU36C	0.95	1.07	1.02
TP9C060B12MP13C	XAF/XAUB36D	0.96	0.87	1.03
TP9C060B12MP13C	XAFC36D	0.96	0.87	1.03
TP9C060B12MP13C	XAHB36D	0.94	0.83	1.03
TP9C060B12MP13C	XAHC36D	0.95	0.85	1.03
TP9C080B12MP13C	CF/CM/CU24B	0.90	1.04	1.00
TP9C080B12MP13C	CF/CM/CU24C	0.90	1.04	1.00
TP9C080B12MP13C	CF/CM/CU30B	0.93	1.05	1.03
TP9C080B12MP13C	CF/CM/CU30C	0.93	1.06	1.03
TP9C080B12MP13C	CF/CM/CU36B	0.96	1.08	1.03
TP9C080B12MP13C	CF/CM/CU36C	0.96	1.07	1.03
TP9C080B12MP13C	XAF/XAUB36D	0.96	0.87	1.01
TP9C080B12MP13C	XAFC36D	0.97	0.89	1.01
TP9C080B12MP13C	XAHB36D	0.95	0.88	1.01
TP9C080B12MP13C	XAHC36D	0.95	0.88	1.00
TP9C100C16MP13C	CF/CM/CU30C	0.93	1.07	0.99
TP9C100C16MP13C	CF/CM/CU36C	0.96	1.09	1.03
TP9C100C16MP13C	XAFC36D	0.97	0.87	0.99
TPLC060A12MP13C	CF/CM/36A	0.95	1.07	1.02
TPLC060A12MP13C	CF/CM/CU24A	0.90	1.03	1.03
TPLC060A12MP13C	CF/CM/CU24B	0.90	1.04	1.00
TPLC060A12MP13C	CF/CM/CU30B	0.92	1.06	1.02
TPLC060A12MP13C	CF/CM/CU36B	0.95	1.07	1.02
TPLC080B12MP13C	CF/CM/CU24C	0.90	1.04	1.04
TPLC080B12MP13C	CF/CM/CU30B	0.92	1.05	1.07
TPLC080B12MP13C	CF/CM/CU30C	0.92	1.05	1.03
TPLC080B12MP13C	CF/CM/CU36B	0.96	1.07	1.02
TPLC080B12MP13C	CF/CM/CU36C	0.96	1.08	1.03
TPLC080B12MP13C	XAF/XAUB36D	0.97	0.90	1.02
TPLC080B12MP13C	XAHB36D	0.94	0.86	1.03
TPLC080B12MP13C	XAHC36D	0.95	0.87	1.02
TPLC080C16MP13C	CF/CM/CU24C	0.91	1.05	1.01
TPLC080C16MP13C	CF/CM/CU30C	0.92	1.06	0.99
TPLC080C16MP13C	CF/CM/CU36C	0.96	1.09	1.03
TPLC100C16MP13C	CF/CM/CU24C	0.91	1.05	1.01
TPLC100C16MP13C	CF/CM/CU30C	0.92	1.06	0.99

**FURNACE MULTIPLIERS - 2 TON (Continued)**

Furnaces	Coil	T.C.	S.C.	KW
TPLC100C16MP13C	CF/CM/CU36C	0.96	1.09	1.03
YP9C060B12MP13C	CF/CM/CU24B	0.90	1.03	1.04
YP9C060B12MP13C	CF/CM/CU24C	0.90	1.03	1.04
YP9C060B12MP13C	CF/CM/CU30B	0.91	1.05	1.05
YP9C060B12MP13C	CF/CM/CU30C	0.92	1.06	1.02
YP9C060B12MP13C	CF/CM/CU36B	0.95	1.07	1.02
YP9C060B12MP13C	CF/CM/CU36C	0.95	1.07	1.02
YP9C060B12MP13C	XAF/XAUB36D	0.96	0.87	1.03
YP9C060B12MP13C	XAFC36D	0.96	0.87	1.03
YP9C060B12MP13C	XAHB36D	0.94	0.83	1.03
YP9C060B12MP13C	XAHC36D	0.95	0.85	1.03
YP9C080B12MP13C	CF/CM/CU24B	0.90	1.04	1.00
YP9C080B12MP13C	CF/CM/CU24C	0.90	1.04	1.00
YP9C080B12MP13C	CF/CM/CU30B	0.93	1.05	1.03
YP9C080B12MP13C	CF/CM/CU30C	0.93	1.06	1.03
YP9C080B12MP13C	CF/CM/CU36B	0.96	1.08	1.03
YP9C080B12MP13C	CF/CM/CU36C	0.96	1.07	1.03
YP9C080B12MP13C	XAF/XAUB36D	0.96	0.87	1.01
YP9C080B12MP13C	XAFC36D	0.97	0.89	1.01
YP9C080B12MP13C	XAHB36D	0.95	0.88	1.01
YP9C080B12MP13C	XAHC36D	0.95	0.88	1.00
YP9C100C16MP13C	CF/CM/CU30C	0.93	1.07	0.99
YP9C100C16MP13C	CF/CM/CU36C	0.96	1.09	1.03
YP9C100C16MP13C	XAFC36D	0.97	0.87	0.99
YPLC060A12MP13C	CF/CM/36A	0.95	1.07	1.02
YPLC060A12MP13C	CF/CM/CU24A	0.90	1.03	1.03
YPLC060A12MP13C	CF/CM/CU24B	0.90	1.04	1.00
YPLC060A12MP13C	CF/CM/CU30B	0.92	1.06	1.02
YPLC060A12MP13C	CF/CM/CU36B	0.95	1.07	1.02
YPLC080B12MP13C	CF/CM/CU24C	0.90	1.04	1.04
YPLC080B12MP13C	CF/CM/CU30B	0.92	1.05	1.07
YPLC080B12MP13C	CF/CM/CU30C	0.92	1.05	1.03
YPLC080B12MP13C	CF/CM/CU36B	0.96	1.07	1.02
YPLC080B12MP13C	CF/CM/CU36C	0.96	1.08	1.03
YPLC080B12MP13C	XAF/XAUB36D	0.97	0.90	1.02
YPLC080B12MP13C	XAHB36D	0.94	0.86	1.03
YPLC080B12MP13C	XAHC36D	0.95	0.87	1.02
YPLC080C16MP13C	CF/CM/CU24C	0.91	1.05	1.01
YPLC080C16MP13C	CF/CM/CU30C	0.92	1.06	0.99
YPLC080C16MP13C	CF/CM/CU36C	0.96	1.09	1.03
YPLC100C16MP13C	CF/CM/CU24C	0.91	1.05	1.01
YPLC100C16MP13C	CF/CM/CU30C	0.92	1.06	0.99
YPLC100C16MP13C	CF/CM/CU36C	0.96	1.09	1.03

HEATING PERFORMANCE DATA										
CONDENSING UNIT MODEL NO		YZT24B21S								
AIR TEMPERATURE ENTERING OUTDOOR UNIT (°F)	AIR TEMPERATURE ENTERING INDOOR COIL (°F)	ID CFM								
		650			850			1050		
		MBH	COP	KW	MBH	COP	KW	MBH	COP	KW
60	60	27.7	4.48	1.81	28.5	4.73	1.76	29.2	4.99	1.72
	70	26.9	3.95	1.99	27.5	4.17	1.93	28.2	4.41	1.87
	80	26.0	3.50	2.18	26.6	3.71	2.11	27.2	3.92	2.03
47	60	23.2	3.94	1.73	24.0	4.12	1.71	24.8	4.31	1.69
	70	22.8	3.50	1.91	23.5	3.66	1.88	24.1	3.83	1.84
	80	22.4	3.15	2.08	22.9	3.28	2.04	23.4	3.42	2.00
40	60	21.4	3.72	1.69	21.3	4.16	1.50	21.2	4.74	1.31
	70	20.7	3.26	1.86	20.7	3.63	1.67	20.6	4.10	1.47
	80	20.1	2.88	2.04	20.0	3.20	1.84	20.0	3.59	1.63
30	60	17.8	3.20	1.63	18.0	3.61	1.46	18.4	4.16	1.29
	70	17.7	2.88	1.81	17.7	3.19	1.63	17.7	3.59	1.45
	80	17.6	2.60	1.98	17.4	2.85	1.79	17.0	3.12	1.60
17	60	14.5	2.62	1.62	14.8	2.66	1.62	16.9	3.05	1.62
	70	13.6	2.27	1.75	15.0	2.49	1.76	16.4	2.70	1.77
	80	13.5	2.11	1.88	15.2	2.34	1.90	15.9	2.41	1.93
10	60	14.0	2.58	1.59	13.7	2.52	1.59	14.3	2.59	1.61
	70	13.1	2.24	1.71	13.6	2.29	1.73	14.0	2.35	1.75
	80	13.0	2.08	1.83	13.4	2.10	1.87	13.8	2.14	1.89
0	60	9.8	2.12	1.35	9.5	2.07	1.35	10.0	2.13	1.37
	70	9.1	1.84	1.45	9.5	1.88	1.47	9.8	1.93	1.49
	80	9.1	1.71	1.56	9.4	1.72	1.59	9.6	1.75	1.61
-10	60	6.9	1.53	1.32	6.7	1.50	1.32	7.0	1.54	1.34
	70	6.4	1.33	1.42	6.7	1.36	1.44	6.9	1.39	1.45
	80	6.4	1.23	1.52	6.6	1.24	1.55	6.8	1.27	1.57
-20	60	4.0	0.91	1.28	3.9	0.88	1.29	4.1	0.91	1.31
	70	3.7	0.78	1.38	3.8	0.80	1.40	4.0	0.82	1.42
	80	3.7	0.73	1.48	3.8	0.74	1.52	3.9	0.75	1.53

**NOTE:** ALL CAPACITIES INCLUDE INDOOR FAN HEAT. KW VALUES ARE FOR THE SYSTEM (OUTDOOR + INDOOR).

Yellow shaded cells are AHRI High Heating conditions.

Orange shaded cells are AHRI Low Heating conditions.

**Multipliers for determining the performance with other indoor sections.****COIL MULTIPLIERS - 2 TON**

Air Handler	Coil	MBH	COP	KW
AE24BX21	—	0.94	1.03	0.92
AE30BX21	—	0.96	1.04	0.93
AE36CX21	—	0.91	1.07	0.85
AVC24BX21	—	0.94	1.02	0.92
AVC30BX21	—	0.94	1.02	0.92
AVC36BX21	—	0.91	1.04	0.88
AVC36CX21	—	0.89	1.03	0.87
ME08BN21	CF/CM24B	0.95	1.02	0.93
ME08BN21	CF/CM30B	0.95	1.03	0.93
ME08BN21	CF/CM36B	0.94	1.06	0.88
ME08BN21	XAF/XAUB36D	0.98	1.13	0.87
ME08BN21	XAHB36D	0.94	1.10	0.86
ME12BN21	CF/CM24B	0.94	1.03	0.91
ME12BN21	CF/CM30B	0.94	1.03	0.91
ME12BN21	CF/CM36B	0.92	1.06	0.87
ME12CN21	CF/CM24C	0.98	0.89	1.09
ME12CN21	CF/CM30C	0.95	1.02	0.93
ME12CN21	CF/CM36C	0.90	1.04	0.87
ME12CN21	XAFC36D	0.98	1.14	0.86
ME12CN21	XAHC36D	0.94	1.10	0.86
ME12CN41	XAFC36D	0.98	1.13	0.87
ME12CN41	XAHC36D	0.94	1.10	0.86
MVC08BN21	CF/CM24B	0.95	1.02	0.93
MVC08BN21	CF/CM30B	0.95	1.03	0.93
MVC08BN21	CF/CM36B	0.93	1.07	0.87
MVC12BN21	CF/CM24B	0.94	1.03	0.91
MVC12BN21	CF/CM30B	0.94	1.02	0.92
MVC12BN21	CF/CM36B	0.92	1.06	0.87
MVC12BN21	XAF/XAUB36D	0.98	1.15	0.85
MVC12BN21	XAHB36D	0.94	1.10	0.85
MVC12CN21	CF/CM24C	0.93	1.04	0.90
MVC12CN21	CF/CM30C	0.94	1.04	0.90
MVC12CN21	CF/CM36C	0.92	1.06	0.87
MVC12CN21	XAFC36D	0.98	1.15	0.85
MVC12CN21	XAHC36D	0.94	1.12	0.84

**FURNACE MULTIPLIERS - 2 TON**

Furnaces	Coil	T.C.	S.C.	KW
TL8E060A12UH11	CF/CM/36A	0.90	1.00	1.00
TL8E060A12UH11	CF/CM/CU24A	0.97	1.01	0.93
TL8E060A12UH11	CF/CM/CU24B	0.97	1.00	0.94
TL8E060A12UH11	CF/CM/CU36B	0.89	0.99	1.00
TL8E060A12UH11	XAF/XAUB36D	0.99	1.11	0.89
TL8E060A12UH11	XAFA30D	0.99	1.10	0.90
TL8E060A12UH11	XAHB36D	0.95	1.08	0.88
TL9E060B12UH11	CF/CM/CU24B	0.97	0.99	0.93
TL9E060B12UH11	CF/CM/CU24C	0.96	0.99	0.93
TL9E060B12UH11	CF/CM/CU30C	0.96	0.98	0.91
TL9E060B12UH11	CF/CM/CU36B	0.89	0.98	0.99
TL9E060B12UH11	CF/CM/CU36C	0.89	0.98	0.99
TL9E060B12UH11	XAF/XAUB36D	0.99	1.10	0.90
TL9E060B12UH11	XAFC36D	0.99	1.10	0.90

**FURNACE MULTIPLIERS - 2 TON (Continued)**

Furnaces	Coil	T.C.	S.C.	KW
TL9E060B12UH11	XAHB36D	0.96	1.06	0.90
TL9E060B12UH11	XAHC36D	0.96	1.07	0.89
TM8E040A12MP11	CF/CM/36A	0.90	1.00	1.00
TM8E040A12MP11	CF/CM/CU24A	0.97	1.01	0.94
TM8E040A12MP11	CF/CM/CU24B	0.97	1.00	0.94
TM8E040A12MP11	CF/CM/CU36B	0.89	0.99	1.00
TM8E040A12MP11	XAF/XAUB36D	0.99	1.12	0.88
TM8E040A12MP11	XAFA30D	0.99	1.10	0.90
TM8E040A12MP11	XAHB36D	0.95	1.08	0.88
TM8E060A12MP11	CF/CM/36A	0.89	0.99	1.00
TM8E060A12MP11	CF/CM/CU24B	0.97	1.00	0.94
TM8E060A12MP11	XAF/XAUB36D	0.99	1.12	0.88
TM8E060A12MP11	XAFA30D	0.99	1.10	0.90
TM8E080B12MP11	CF/CM/CU24B	0.97	0.98	0.93
TM8E080B12MP11	XAF/XAUB36D	0.99	1.11	0.89
TM8E080B12MP11	XAFC36D	0.98	1.12	0.88
TM8E080C16MP11	XAFC36D	0.98	1.13	0.86
TM8E100B12MP11	CF/CM/CU24B	0.98	1.03	0.94
TM8E100B12MP11	CF/CM/CU24C	0.98	1.02	0.94
TM8E100B12MP11	CF/CM/CU30B	0.97	1.01	0.91
TM8E100B12MP11	CF/CM/CU30C	0.97	1.01	0.91
TM8E100B12MP11	CF/CM/CU36B	0.90	1.02	1.00
TM8E100B12MP11	CF/CM/CU36C	0.89	1.01	1.00
TM8E100B12MP11	XAF/XAUB36D	0.98	1.11	0.88
TM8E100B12MP11	XAFC36D	0.98	1.11	0.88
TM8E100C16MP11	XAFC36D	0.98	1.13	0.86
TM8E120C16MP11	XAFC36D	0.98	1.13	0.86
TM8V060A12MP12C	CF/CM/36A	0.93	1.02	0.98
TM8V060A12MP12C	CF/CM/CU24A	0.96	1.00	0.90
TM8V060A12MP12C	CF/CM/CU24B	0.94	1.01	0.91
TM8V060A12MP12C	CF/CM/CU30B	0.95	1.01	0.94
TM8V060A12MP12C	CF/CM/CU36B	0.93	1.04	0.98
TM8V080B12MP12C	CF/CM/CU24C	0.95	1.00	0.91
TM8V080B12MP12C	CF/CM/CU30B	0.95	1.00	0.93
TM8V080B12MP12C	CF/CM/CU30C	0.95	1.00	0.93
TM8V080B12MP12C	CF/CM/CU36B	0.94	1.04	0.97
TM8V080B12MP12C	CF/CM/CU36C	0.93	1.04	0.98
TM8V080B12MP12C	XAF/XAUB36D	0.99	1.10	0.90
TM8V080B12MP12C	XAHB36D	0.96	1.07	0.90
TM8V080B12MP12C	XAHC36D	0.95	1.07	0.88
TM8V080C16MP12C	CF/CM/CU24C	0.94	1.02	0.92
TM8V080C16MP12C	CF/CM/CU30C	0.95	1.02	0.94
TM8V080C16MP12C	CF/CM/CU36C	0.92	1.05	0.99
TM8V100C16MP12C	CF/CM/CU24C	0.94	1.02	0.92
TM8V100C16MP12C	CF/CM/CU30C	0.95	1.02	0.94
TM8V100C16MP12C	CF/CM/CU36C	0.92	1.05	0.99
TM8Y060A12MP11	XAF/XAUB36D	0.99	1.11	0.89
TM8Y060A12MP11	XAFA30D	0.99	1.09	0.91
TM8Y060A12MP11	XAHB36D	0.96	1.07	0.90
TM8Y080B12MP11	XAF/XAUB36D	0.98	1.11	0.88
TM8Y080B12MP11	XAFC36D	0.98	1.11	0.88

## FURNACE MULTIPLIERS - 2 TON (Continued)

Furnaces	Coil	T.C.	S.C.	KW
TM8Y080B12MP11	XAHB36D	0.95	1.08	0.88
TM8Y080C16MP11	XAFC36D	0.98	1.13	0.87
TM9E026A08MP12	XAF/XAUB36D	1.00	1.06	0.94
TM9E026A08MP12	XAFA30D	1.00	1.05	0.95
TM9E026A08MP12	XAHB36D	0.96	1.04	0.93
TM9E040A10MP12	CF/CM/36A	0.90	0.98	0.99
TM9E040A10MP12	CF/CM/CU24A	0.98	0.99	0.92
TM9E040A10MP12	CF/CM/CU24B	0.97	0.99	0.92
TM9E040A10MP12	CF/CM/CU30B	0.97	0.98	0.90
TM9E040A10MP12	CF/CM/CU36B	0.90	0.97	0.99
TM9E040A10MP12	XAF/XAUB36D	1.00	1.08	0.93
TM9E040A10MP12	XAFA30D	1.00	1.07	0.93
TM9E040A10MP12	XAHB36D	0.97	1.05	0.92
TM9E060A10MP12	CF/CM/36A	0.89	0.96	0.98
TM9E060A10MP12	CF/CM/CU24A	0.98	1.00	0.93
TM9E060A10MP12	CF/CM/CU24B	0.97	1.00	0.93
TM9E060A10MP12	CF/CM/CU30B	0.97	0.99	0.91
TM9E060A10MP12	CF/CM/CU36B	0.89	0.98	0.99
TM9E060A10MP12	XAF/XAUB36D	0.99	1.09	0.91
TM9E060A10MP12	XAFA30D	1.00	1.09	0.92
TM9E060B12MP12	XAF/XAUB36D	1.00	1.09	0.91
TM9E060B12MP12	XAFC36D	1.00	1.09	0.91
TM9E080B12MP12	XAF/XAUB36D	0.99	1.11	0.89
TM9E080B12MP12	XAFC36D	0.99	1.11	0.89
TM9E080C16MP12	XAFC36D	0.99	1.12	0.88
TM9E100C16MP12	XAFC36D	0.98	1.12	0.87
TM9V040A10MP12C	XAF/XAUB36D	1.00	1.08	0.92
TM9V040A10MP12C	XAFA30D	1.00	1.07	0.93
TM9V040A10MP12C	XAHB36D	0.96	1.05	0.91
TM9V060B12MP12C	CF/CM/CU24B	0.97	1.01	0.90
TM9V060B12MP12C	CF/CM/CU24C	0.97	1.01	0.90
TM9V060B12MP12C	CF/CM/CU30B	0.95	1.00	0.93
TM9V060B12MP12C	CF/CM/CU30C	0.95	1.00	0.94
TM9V060B12MP12C	CF/CM/CU36B	0.93	1.02	0.98
TM9V060B12MP12C	CF/CM/CU36C	0.93	1.03	0.98
TM9V060B12MP12C	XAF/XAUB36D	0.99	1.10	0.89
TM9V060B12MP12C	XAFC36D	0.99	1.11	0.89
TM9V060B12MP12C	XAHB36D	0.95	1.07	0.89
TM9V060B12MP12C	XAHC36D	0.95	1.08	0.88
TM9V080B12MP12C	CF/CM/CU24B	0.94	1.01	0.91
TM9V080B12MP12C	CF/CM/CU24C	0.94	1.02	0.91
TM9V080B12MP12C	CF/CM/CU30B	0.96	1.02	0.93
TM9V080B12MP12C	CF/CM/CU30C	0.95	1.02	0.94
TM9V080B12MP12C	CF/CM/CU36B	0.93	1.04	0.98
TM9V080B12MP12C	CF/CM/CU36C	0.93	1.05	0.98
TM9V080B12MP12C	XAF/XAUB36D	0.99	1.12	0.88
TM9V080B12MP12C	XAFC36D	0.98	1.12	0.88
TM9V080B12MP12C	XAHB36D	0.95	1.08	0.88
TM9V080B12MP12C	XAHC36D	0.94	1.09	0.86
TM9V100C16MP12C	CF/CM/CU30C	0.93	1.01	0.95
TM9V100C16MP12C	CF/CM/CU36C	0.92	1.05	0.99
TM9V100C16MP12C	XAFC36D	0.98	1.13	0.87
TM9Y040A10MP11	CF/CM/36A	0.96	1.01	0.95

## FURNACE MULTIPLIERS - 2 TON (Continued)

Furnaces	Coil	T.C.	S.C.	KW
TM9Y040A10MP11	CF/CM/CU24A	0.98	0.97	0.88
TM9Y040A10MP11	CF/CM/CU24B	0.96	0.97	0.90
TM9Y040A10MP11	CF/CM/CU30B	0.96	0.97	0.92
TM9Y040A10MP11	CF/CM/CU36B	0.95	1.00	0.96
TM9Y040A10MP11	XAF/XAUB36D	1.00	1.06	0.95
TM9Y040A10MP11	XAFA30D	1.01	1.05	0.96
TM9Y040A10MP11	XAHB36D	0.97	1.03	0.94
TM9Y060B12MP11	XAF/XAUB36D	0.99	1.09	0.91
TM9Y060B12MP11	XAFC36D	0.99	1.10	0.90
TM9Y080B12MP11	CF/CM/CU30B	0.94	0.99	0.94
TM9Y080B12MP11	CF/CM/CU36B	0.93	1.03	0.99
TM9Y080B12MP11	XAF/XAUB36D	0.99	1.11	0.89
TM9Y080B12MP11	XAFC36D	0.98	1.11	0.88
TM9Y080C16MP11	XAFC36D	0.98	1.12	0.88
TM9Y080C16MP11	XAHC36D	0.95	1.09	0.87
TM9Y100C16MP11	XAFC36D	0.98	1.13	0.87
TM9Y100C16MP11	XAHC36D	0.94	1.10	0.86
TMLE040A12MP11	CF/CM/36A	0.90	1.00	1.00
TMLE040A12MP11	CF/CM/CU24A	0.97	1.01	0.94
TMLE040A12MP11	CF/CM/CU24B	0.97	1.00	0.94
TMLE040A12MP11	CF/CM/CU36B	0.89	0.99	1.00
TMLE040A12MP11	XAF/XAUB36D	0.99	1.12	0.88
TMLE040A12MP11	XAFA30D	0.99	1.10	0.90
TMLE040A12MP11	XAHB36D	0.95	1.08	0.88
TMLE060A12MP11	CF/CM/36A	0.89	0.99	1.00
TMLE060A12MP11	CF/CM/CU24B	0.97	1.00	0.94
TMLE060A12MP11	XAF/XAUB36D	0.99	1.12	0.88
TMLE060A12MP11	XAFA30D	0.99	1.10	0.90
TMLE080B12MP11	CF/CM/CU24B	0.97	0.98	0.93
TMLE080B12MP11	XAF/XAUB36D	0.99	1.11	0.89
TMLE080B12MP11	XAFC36D	0.98	1.12	0.88
TMLE080C16MP11	XAFC36D	0.98	1.13	0.86
TMLE100B12MP11	CF/CM/CU24B	0.98	1.03	0.94
TMLE100B12MP11	CF/CM/CU24C	0.98	1.02	0.94
TMLE100B12MP11	CF/CM/CU30B	0.97	1.01	0.91
TMLE100B12MP11	CF/CM/CU30C	0.97	1.01	0.91
TMLE100B12MP11	CF/CM/CU36B	0.90	1.02	1.00
TMLE100B12MP11	CF/CM/CU36C	0.89	1.01	1.00
TMLE100B12MP11	XAF/XAUB36D	0.98	1.11	0.88
TMLE100B12MP11	XAFC36D	0.98	1.11	0.88
TMLE100C16MP11	XAFC36D	0.98	1.13	0.86
TMLE120C16MP11	XAFC36D	0.98	1.13	0.86
TMLV060A12MP12C	CF/CM/36A	0.93	1.02	0.98
TMLV060A12MP12C	CF/CM/CU24A	0.96	1.00	0.90
TMLV060A12MP12C	CF/CM/CU24B	0.94	1.01	0.91
TMLV060A12MP12C	CF/CM/CU30B	0.95	1.01	0.94
TMLV060A12MP12C	CF/CM/CU36B	0.93	1.04	0.98
TMLV080B12MP12C	CF/CM/CU24C	0.95	1.00	0.91
TMLV080B12MP12C	CF/CM/CU30B	0.95	1.00	0.93
TMLV080B12MP12C	CF/CM/CU30C	0.95	1.00	0.93
TMLV080B12MP12C	CF/CM/CU36B	0.94	1.04	0.97
TMLV080B12MP12C	CF/CM/CU36C	0.93	1.04	0.98
TMLV080C16MP12C	CF/CM/CU24C	0.94	1.02	0.92

**FURNACE MULTIPLIERS - 2 TON (Continued)**

Furnaces	Coil	T.C.	S.C.	KW
TMLV080C16MP12C	CF/CM/CU30C	0.95	1.02	0.94
TMLV080C16MP12C	CF/CM/CU36C	0.92	1.05	0.99
TMLV100C16MP12C	CF/CM/CU24C	0.94	1.02	0.92
TMLV100C16MP12C	CF/CM/CU30C	0.95	1.02	0.94
TMLV100C16MP12C	CF/CM/CU36C	0.92	1.05	0.99
TP9C060B12MP13C	CF/CM/CU24B	0.97	1.01	0.90
TP9C060B12MP13C	CF/CM/CU24C	0.97	1.01	0.90
TP9C060B12MP13C	CF/CM/CU30B	0.95	1.00	0.93
TP9C060B12MP13C	CF/CM/CU30C	0.95	1.00	0.94
TP9C060B12MP13C	CF/CM/CU36B	0.93	1.02	0.98
TP9C060B12MP13C	CF/CM/CU36C	0.93	1.03	0.98
TP9C060B12MP13C	XAF/XAUB36D	0.99	1.10	0.89
TP9C060B12MP13C	XAFC36D	0.99	1.11	0.89
TP9C060B12MP13C	XAHB36D	0.95	1.07	0.89
TP9C060B12MP13C	XAHC36D	0.95	1.08	0.88
TP9C080B12MP13C	CF/CM/CU24B	0.94	1.01	0.91
TP9C080B12MP13C	CF/CM/CU24C	0.94	1.02	0.91
TP9C080B12MP13C	CF/CM/CU30B	0.96	1.02	0.93
TP9C080B12MP13C	CF/CM/CU30C	0.95	1.02	0.94
TP9C080B12MP13C	CF/CM/CU36B	0.93	1.04	0.98
TP9C080B12MP13C	CF/CM/CU36C	0.93	1.05	0.98
TP9C080B12MP13C	XAF/XAUB36D	0.99	1.12	0.88
TP9C080B12MP13C	XAFC36D	0.98	1.12	0.88
TP9C080B12MP13C	XAHB36D	0.95	1.08	0.88
TP9C080B12MP13C	XAHC36D	0.94	1.09	0.86
TP9C100C16MP13C	CF/CM/CU30C	0.93	1.01	0.95
TP9C100C16MP13C	CF/CM/CU36C	0.92	1.05	0.99
TP9C100C16MP13C	XAFC36D	0.98	1.13	0.87
TPLC060A12MP13C	CF/CM/36A	0.93	1.02	0.98
TPLC060A12MP13C	CF/CM/CU24A	0.96	1.00	0.90
TPLC060A12MP13C	CF/CM/CU24B	0.94	1.01	0.91
TPLC060A12MP13C	CF/CM/CU30B	0.95	1.01	0.94
TPLC060A12MP13C	CF/CM/CU36B	0.93	1.04	0.98
TPLC080B12MP13C	CF/CM/CU24C	0.95	1.00	0.91
TPLC080B12MP13C	CF/CM/CU30B	0.95	1.00	0.93
TPLC080B12MP13C	CF/CM/CU30C	0.95	1.00	0.93
TPLC080B12MP13C	CF/CM/CU36B	0.94	1.04	0.97
TPLC080B12MP13C	CF/CM/CU36C	0.93	1.04	0.98
TPLC080B12MP13C	XAF/XAUB36D	0.99	1.10	0.90
TPLC080B12MP13C	XAHB36D	0.96	1.07	0.90
TPLC080B12MP13C	XAHC36D	0.95	1.07	0.88
TPLC080C16MP13C	CF/CM/CU24C	0.94	1.02	0.92
TPLC080C16MP13C	CF/CM/CU30C	0.95	1.02	0.94
TPLC080C16MP13C	CF/CM/CU36C	0.92	1.05	0.99
TPLC100C16MP13C	CF/CM/CU24C	0.94	1.02	0.92
TPLC100C16MP13C	CF/CM/CU30C	0.95	1.02	0.94
TPLC100C16MP13C	CF/CM/CU36C	0.92	1.05	0.99

**FURNACE MULTIPLIERS - 2 TON (Continued)**

Furnaces	Coil	T.C.	S.C.	KW
TPLC100C16MP13C	CF/CM/CU36C	0.92	1.05	0.99
YP9C060B12MP13C	CF/CM/CU24B	0.97	1.01	0.90
YP9C060B12MP13C	CF/CM/CU24C	0.97	1.01	0.90
YP9C060B12MP13C	CF/CM/CU30B	0.95	1.00	0.93
YP9C060B12MP13C	CF/CM/CU30C	0.95	1.00	0.94
YP9C060B12MP13C	CF/CM/CU36B	0.93	1.02	0.98
YP9C060B12MP13C	CF/CM/CU36C	0.93	1.03	0.98
YP9C060B12MP13C	XAF/XAUB36D	0.99	1.10	0.89
YP9C060B12MP13C	XAFC36D	0.99	1.11	0.89
YP9C060B12MP13C	XAHB36D	0.95	1.07	0.89
YP9C060B12MP13C	XAHC36D	0.95	1.08	0.88
YP9C080B12MP13C	CF/CM/CU24B	0.94	1.01	0.91
YP9C080B12MP13C	CF/CM/CU24C	0.94	1.02	0.91
YP9C080B12MP13C	CF/CM/CU30B	0.96	1.02	0.93
YP9C080B12MP13C	CF/CM/CU30C	0.95	1.02	0.94
YP9C080B12MP13C	CF/CM/CU36B	0.93	1.04	0.98
YP9C080B12MP13C	CF/CM/CU36C	0.93	1.05	0.98
YP9C080B12MP13C	XAF/XAUB36D	0.99	1.12	0.88
YP9C080B12MP13C	XAFC36D	0.98	1.12	0.88
YP9C080B12MP13C	XAHB36D	0.95	1.08	0.88
YP9C080B12MP13C	XAHC36D	0.94	1.09	0.86
YP9C100C16MP13C	CF/CM/CU30C	0.93	1.01	0.95
YP9C100C16MP13C	CF/CM/CU36C	0.92	1.05	0.99
YP9C100C16MP13C	XAFC36D	0.98	1.13	0.87
YPLC060A12MP13C	CF/CM/36A	0.93	1.02	0.98
YPLC060A12MP13C	CF/CM/CU24A	0.96	1.00	0.90
YPLC060A12MP13C	CF/CM/CU24B	0.94	1.01	0.91
YPLC060A12MP13C	CF/CM/CU30B	0.95	1.01	0.94
YPLC060A12MP13C	CF/CM/CU36B	0.93	1.04	0.98
YPLC080B12MP13C	CF/CM/CU24C	0.95	1.00	0.91
YPLC080B12MP13C	CF/CM/CU30B	0.95	1.00	0.93
YPLC080B12MP13C	CF/CM/CU30C	0.95	1.00	0.93
YPLC080B12MP13C	CF/CM/CU36B	0.94	1.04	0.97
YPLC080B12MP13C	CF/CM/CU36C	0.93	1.04	0.98
YPLC080B12MP13C	XAF/XAUB36D	0.99	1.10	0.90
YPLC080B12MP13C	XAHB36D	0.96	1.07	0.90
YPLC080B12MP13C	XAHC36D	0.95	1.07	0.88
YPLC080C16MP13C	CF/CM/CU24C	0.94	1.02	0.92
YPLC080C16MP13C	CF/CM/CU30C	0.95	1.02	0.94
YPLC080C16MP13C	CF/CM/CU36C	0.92	1.05	0.99
YPLC100C16MP13C	CF/CM/CU24C	0.94	1.02	0.92
YPLC100C16MP13C	CF/CM/CU30C	0.95	1.02	0.94
YPLC100C16MP13C	CF/CM/CU36C	0.92	1.05	0.99



## PERFORMANCE DATA - 3 TON

CONDENSER-ONLY DATA (OUTDOOR UNIT)																
MODEL	SATURATED SUCTION AT COMPRESSOR		Outdoor Ambient Temperature													
			65 °F		75 °F		85 °F		95 °F		105 °F		115 °F		125 °F	
	T (°F)	P (PSIG)	MBH	KW	MBH	KW	MBH	KW	MBH	KW	MBH	KW	MBH	KW	MBH	KW
YZT36B21S	35	107.4	27.75	1.50	28.62	1.70	29.48	1.89	30.35	2.09	31.21	2.28	32.08	2.48	32.94	2.68
	40	118.6	32.73	1.52	32.56	1.72	32.38	1.93	32.21	2.13	32.03	2.34	31.86	2.54	31.68	2.75
	45	130.4	37.71	1.54	36.50	1.75	35.28	1.96	34.07	2.18	32.85	2.39	31.64	2.60	30.42	2.82
	50	143.0	42.69	1.56	40.44	1.78	38.18	2.00	35.93	2.22	33.67	2.44	31.42	2.67	29.16	2.89
	55	156.3	47.67	1.58	44.38	1.81	41.08	2.04	37.79	2.27	34.49	2.50	31.20	2.73	27.90	2.96
	60	170.3	52.65	1.59	48.32	1.83	43.98	2.07	39.65	2.31	35.31	2.55	30.98	2.79	26.64	3.03

## Notes:

- For Outdoor Unit (Condenser) performance only. Data does not include the effects of air handler power or heat.
- Performance based on 15°F subcooling and 15°F superheat at the Outdoor Unit base valves.
  - Increase capacity by 1% for each 2°F increase in subcooling.
  - Decrease capacity by 1% for each 2°F decrease in subcooling.
- Maximum recommended condensing temperature is 140°F.

COOLING PERFORMANCE DATA																
AIR CONDITIONER MODEL NO.		YZT36B21S														
AIR TEMPERATURE ENTERING OUTDOOR UNIT (°F)	IDCFM	950					1200					1450				
		ID DB (°F)	80	80	75	80	80	80	80	75	80	80	80	80	75	80
	ID WB (°F)	57	62	62	67	72	57	62	62	67	72	57	62	62	67	72
65	T.C.	32.5	35.3	35.7	38.7	40.7	34.4	36.6	37.0	39.4	41.0	36.3	37.9	38.3	40.1	41.2
	S.C.	32.5	29.7	25.2	24.7	18.7	34.4	32.8	27.7	26.1	19.1	36.3	36.0	30.3	27.5	19.5
	KW	1.75	1.76	1.76	1.78	1.78	1.86	1.87	1.86	1.88	1.88	1.96	1.97	1.96	1.97	1.97
75	T.C.	31.5	34.2	34.4	37.6	40.6	33.5	35.5	35.7	38.6	41.3	35.5	36.8	37.0	39.5	42.0
	S.C.	31.5	29.2	24.7	24.5	18.9	33.5	32.6	27.3	26.4	19.8	35.5	36.0	30.0	28.3	20.7
	KW	1.94	1.95	1.95	1.96	1.97	2.04	2.05	2.05	2.06	2.07	2.14	2.15	2.15	2.15	2.17
85	T.C.	30.5	33.1	33.2	36.6	40.4	32.7	34.4	34.5	37.7	41.6	34.8	35.7	35.7	38.9	42.8
	S.C.	30.5	28.8	24.2	24.2	19.1	32.7	32.4	26.9	26.6	20.5	34.8	35.7	29.6	29.1	21.9
	KW	2.13	2.13	2.13	2.14	2.16	2.23	2.23	2.23	2.24	2.26	2.33	2.33	2.33	2.34	2.36
95	T.C.	29.4	31.5	31.6	35.0	38.7	31.4	32.7	32.7	36.2	39.8	33.3	34.0	33.8	37.4	41.0
	S.C.	29.4	27.9	23.6	23.5	18.5	31.4	31.2	26.2	26.1	20.0	33.3	34.0	28.9	28.7	21.4
	KW	2.35	2.34	2.35	2.36	2.38	2.45	2.44	2.45	2.46	2.48	2.55	2.54	2.54	2.55	2.58
105	T.C.	28.2	29.8	30.0	33.4	36.9	30.0	31.0	31.0	34.6	38.0	31.9	32.2	32.0	35.9	39.2
	S.C.	28.2	27.0	22.9	22.7	17.9	30.0	30.1	25.5	25.5	19.4	31.9	32.2	28.2	28.4	21.0
	KW	2.57	2.56	2.57	2.57	2.60	2.67	2.65	2.66	2.67	2.70	2.77	2.75	2.76	2.77	2.80
115	T.C.	27.2	28.3	28.5	31.8	35.2	28.7	29.6	29.5	32.9	36.3	30.3	30.9	30.4	34.0	37.4
	S.C.	27.2	26.2	22.2	22.1	17.3	28.7	29.0	24.8	24.8	18.8	30.3	30.9	27.3	27.5	20.4
	KW	2.82	2.80	2.81	2.82	2.84	2.92	2.90	2.91	2.91	2.94	3.02	3.00	3.00	3.01	3.04
125	T.C.	26.1	26.9	27.0	30.1	33.6	27.4	28.2	27.9	31.2	34.6	28.7	29.5	28.8	32.2	35.6
	S.C.	26.1	25.4	21.5	21.5	16.7	27.4	27.9	24.0	24.1	18.2	28.7	29.5	26.5	26.7	19.8
	KW	3.06	3.05	3.05	3.06	3.08	3.16	3.15	3.15	3.16	3.18	3.26	3.24	3.25	3.25	3.28

**NOTE:** ALL CAPACITIES INCLUDE INDOOR FAN HEAT. KW VALUES ARE FOR THE SYSTEM (OUTDOOR + INDOOR).

Green shaded cells are ACCA (TVA) conditions.

Blue shaded cells are AHRI conditions.

**Multipliers for determining the performance with other indoor sections.**

**NOTE:** For dry bulb temperatures different than those listed (between 73-87 °F), sensible capacity increases by 1060 BTUH per 1000 CFM per degree above the listed temperature and decreases by 1060 BTUH per 1000 CFM per degree below the listed temperature.

**COIL MULTIPLIERS - 3 TON**

Air Handler	Coil	T.C.	S.C.	KW
AE36BX21	—	1.01	1.02	1.08
AE36CX21	—	1.02	1.04	1.10
AE42CX21	—	1.01	1.05	1.01
AE48CX21	—	1.03	1.04	1.03
AE48DX21	—	1.03	1.07	1.03
AVC36BX21	—	0.97	1.04	1.04
AVC36CX21	—	0.99	1.07	1.06
AVC42CX21	—	0.99	1.03	0.99
AVC48CX21	—	0.99	1.05	0.99
AVC48DX21	—	1.03	1.00	1.03
AVC60CX21	—	1.02	1.03	1.02
ME12BN21	CF42B	0.97	1.04	1.05
ME12BN21	XAF/XAUB36D	0.96	0.89	1.05
ME12BN41	XAF/XAUB36D	0.96	0.88	1.05
ME12CN21	CF/CM36C	0.99	0.98	1.07
ME12CN21	XAF/XAUC48F	0.97	0.89	1.02
ME12CN21	XAF/XAUC60G	0.99	0.90	1.03
ME12CN21	XAFC36D	0.96	0.88	1.03
ME12CN21	XAHC36D	0.97	0.88	1.06
ME12CN21	XAHC48F	0.97	0.90	1.03
ME12CN21	XAHC60G	0.98	0.91	1.04
ME12CN41	XAF/XAUC48F	0.97	0.87	1.01
ME12CN41	XAF/XAUC60G	0.99	0.90	1.02
ME12CN41	XAFC36D	0.96	0.87	1.03
ME12CN41	XAHC36D	0.97	0.88	1.06
ME12CN41	XAHC48F	0.96	0.89	1.02
ME12CN41	XAHC60G	0.98	0.91	1.03
ME14DN21	CF/CM42D	0.97	1.03	1.05
ME14DN21	CF/CM48D	1.01	0.98	1.01
ME14DN21	CF/CM60D	0.99	1.00	0.99
ME14DN21	XAF/XAUD60G	0.99	0.91	1.02
ME14DN21	XAFD48F	0.98	0.89	1.01
ME14DN21	XAHD48F	0.96	0.86	1.04
ME14DN21	XAHD60G	0.98	0.93	1.03
ME14DN41	XAF/XAUD60G	0.99	0.91	1.02
ME14DN41	XAFD48F	0.97	0.85	1.02
ME14DN41	XAHD48F	0.97	0.92	1.03
ME14DN41	XAHD60G	0.98	0.87	1.04
ME16CN21	CF/CM36C	0.98	1.05	1.06
ME16CN21	CF/CM42C	0.98	1.05	1.06
ME16CN21	CF/CM48C	0.99	1.03	0.99
ME16CN21	CF/CM60C	1.02	0.99	1.02
ME16CN21	XAF/XAUC48F	0.97	0.85	1.03
ME16CN21	XAF/XAUC60G	0.98	0.88	1.04
ME16CN21	XAFC36D	0.96	0.87	1.03
ME16CN21	XAHC36D	0.97	0.87	1.07
ME16CN21	XAHC48F	0.96	0.86	1.04
ME16CN21	XAHC60G	0.98	0.94	1.03
ME16CN41	XAF/XAUC48F	0.97	0.85	1.02
ME16CN41	XAF/XAUC60G	0.99	0.87	1.03
ME16CN41	XAFC36D	0.96	0.86	1.03
ME16CN41	XAHC36D	0.97	0.87	1.05
ME16CN41	XAHC48F	0.96	0.86	1.03

**COIL MULTIPLIERS - 3 TON (Continued)**

ME16CN41	XAHC60G	0.98	0.87	1.03
MVC12BN21	CF/CM36B	0.97	1.04	1.04
MVC12BN21	CF42B	0.96	1.03	1.03
MVC12BN21	XAF/XAUB36D	0.96	0.88	1.05
MVC12CN21	CF/CM36C	0.99	0.99	0.99
MVC12CN21	CF/CM42C	0.97	1.02	1.05
MVC12CN21	CF/CM48C	1.01	1.05	1.01
MVC12CN21	CF/CM60C	1.03	1.01	1.03
MVC12CN21	XAF/XAUC48F	0.97	0.89	1.01
MVC12CN21	XAF/XAUC60G	0.99	0.91	1.02
MVC12CN21	XAFC36D	0.96	0.84	1.03
MVC12CN21	XAHC36D	0.97	0.84	1.06
MVC12CN21	XAHC48F	0.97	0.90	1.02
MVC12CN21	XAHC60G	0.98	0.93	1.02
MVC14DN21	CF/CM42D	0.98	1.04	1.05
MVC14DN21	CF/CM48D	1.02	0.96	1.02
MVC14DN21	CF/CM60D	1.03	1.05	1.03
MVC14DN21	XAF/XAUD60G	0.99	0.90	1.01
MVC14DN21	XAFD48F	0.97	0.83	1.00
MVC14DN21	XAHD48F	0.97	0.85	1.02
MVC14DN21	XAHD60G	0.98	0.90	1.02
MVC16CN21	CF/CM36C	0.99	1.09	0.99
MVC16CN21	CF/CM42C	0.99	1.08	1.07
MVC16CN21	CF/CM48C	1.00	1.00	1.00
MVC16CN21	CF/CM60C	1.03	1.06	1.03
MVC16CN21	XAF/XAUC48F	0.97	0.87	1.01
MVC16CN21	XAF/XAUC60G	0.99	0.89	1.02
MVC16CN21	XAFC36D	0.97	0.88	1.02
MVC16CN21	XAHC36D	0.97	0.86	1.05
MVC16CN21	XAHC48F	0.97	0.89	1.02
MVC16CN21	XAHC60G	0.99	0.93	1.02
MVC20DN21	CF/CM42D	1.01	1.04	1.09
MVC20DN21	CF/CM48D	1.01	1.04	1.01
MVC20DN21	CF/CM60D	1.03	1.01	1.03

**FURNACE MULTIPLIERS - 3 TON**

Furnaces	Coil	T.C.	S.C.	KW
TL8E060A12UH11	XAF/XAUB36D	0.95	0.89	1.09
TL8E080C16UH11	XAF/XAUC48F	0.97	0.86	1.05
TL8E080C16UH11	XAF/XAUC60G	0.98	0.88	1.05
TL8E080C16UH11	XAF/XAUD60G	0.98	0.88	1.05
TL8E080C16UH11	XAFC36D	0.96	0.88	1.05
TL8E080C16UH11	XAFD48F	0.97	0.86	1.05
TL8E080C16UH11	XAHC36D	0.96	0.85	1.10
TL8E080C16UH11	XAHC48F	0.96	0.88	1.06
TL8E080C16UH11	XAHD48F	0.96	0.88	1.06
TL8E080C16UH11	XAHD60G	0.97	0.89	1.07
TL9E060B12UH11	XAF/XAUC48F	0.96	0.91	1.07
TL9E060B12UH11	XAF/XAUC60G	0.97	0.88	1.12
TL9E060B12UH11	XAFC36D	0.96	0.94	1.08
TL9E060B12UH11	XAHC48F	0.96	0.93	1.08
TL9E060B12UH11	XAHC60G	0.96	0.88	1.12
TL9E080C16UH11	XAF/XAUC48F	0.96	0.86	1.05
TL9E080C16UH11	XAF/XAUC60G	0.98	0.88	1.07

**FURNACE MULTIPLIERS - 3 TON (Continued)**

Furnaces	Coil	T.C.	S.C.	KW
TL9E080C16UH11	XAF/XAUD60G	0.98	0.88	1.07
TL9E080C16UH11	XAFC36D	0.96	0.88	1.07
TL9E080C16UH11	XAFD48F	0.96	0.86	1.05
TL9E080C16UH11	XAHC48F	0.95	0.83	1.09
TL9E080C16UH11	XAHC60G	0.97	0.88	1.07
TL9E080C16UH11	XAHD48F	0.95	0.83	1.09
TL9E080C16UH11	XAHD60G	0.97	0.89	1.07
TM8E040A12MP11	XAF/XAUB36D	0.96	0.89	1.08
TM8E060A12MP11	XAF/XAUB36D	0.96	0.88	1.09
TM8E080B12MP11	XAF/XAUB36D	0.95	0.87	1.08
TM8E080B12MP11	XAF/XAUC48F	0.96	0.86	1.07
TM8E080B12MP11	XAF/XAUC60G	0.98	0.94	1.06
TM8E080B12MP11	XAFC36D	0.95	0.87	1.08
TM8E080B12MP11	XAHC48F	0.95	0.88	1.09
TM8E080B12MP11	XAHC60G	0.97	0.89	1.09
TM8E080C16MP11	XAF/XAUC48F	0.97	0.86	1.04
TM8E080C16MP11	XAF/XAUC60G	0.98	0.88	1.05
TM8E080C16MP11	XAF/XAUD60G	0.98	0.88	1.05
TM8E080C16MP11	XAFC36D	0.96	0.88	1.05
TM8E080C16MP11	XAFD48F	0.96	0.85	1.03
TM8E080C16MP11	XAHC36D	0.97	0.88	1.07
TM8E080C16MP11	XAHC48F	0.96	0.87	1.05
TM8E080C16MP11	XAHC60G	0.98	0.94	1.05
TM8E080C16MP11	XAHD48F	0.96	0.88	1.06
TM8E080C16MP11	XAHD60G	0.97	0.89	1.06
TM8E100B12MP11	XAF/XAUB36D	0.96	0.88	1.08
TM8E100B12MP11	XAF/XAUC48F	0.96	0.86	1.07
TM8E100B12MP11	XAF/XAUC60G	0.98	0.88	1.08
TM8E100B12MP11	XAFC36D	0.96	0.88	1.08
TM8E100B12MP11	XAHC48F	0.96	0.92	1.06
TM8E100B12MP11	XAHC60G	0.97	0.89	1.08
TM8E100C16MP11	XAF/XAUC48F	0.96	0.85	1.04
TM8E100C16MP11	XAF/XAUC60G	0.98	0.88	1.05
TM8E100C16MP11	XAF/XAUD60G	0.98	0.88	1.05
TM8E100C16MP11	XAFC36D	0.97	0.93	1.04
TM8E100C16MP11	XAFD48F	0.97	0.85	1.04
TM8E100C16MP11	XAHC36D	0.97	0.88	1.08
TM8E100C16MP11	XAHC48F	0.96	0.87	1.05
TM8E100C16MP11	XAHC60G	0.97	0.88	1.06
TM8E100C16MP11	XAHD48F	0.96	0.87	1.06
TM8E100C16MP11	XAHD60G	0.97	0.88	1.06
TM8E120C16MP11	XAF/XAUC48F	0.96	0.85	1.04
TM8E120C16MP11	XAF/XAUC60G	0.98	0.88	1.05
TM8E120C16MP11	XAF/XAUD60G	0.98	0.88	1.05
TM8E120C16MP11	XAFC36D	0.96	0.88	1.05
TM8E120C16MP11	XAFD48F	0.97	0.85	1.04
TM8E120C16MP11	XAHC36D	0.97	0.88	1.08
TM8E120C16MP11	XAHC48F	0.96	0.87	1.05
TM8E120C16MP11	XAHC60G	0.97	0.88	1.05
TM8E120C16MP11	XAHD48F	0.96	0.87	1.05
TM8E120C16MP11	XAHD60G	0.97	0.88	1.06
TM8V060A12MP12C	CF/CM/CU36B	0.97	1.00	1.05
TM8V060A12MP12C	CF42B	0.95	1.04	1.02
TM8V060A12MP12C	XAF/XAUB36D	0.95	0.85	1.10
TM8V080B12MP12C	CF/CM/CU36C	0.98	1.00	1.06
TM8V080B12MP12C	CF/CM/CU42C	0.95	1.04	1.03
TM8V080B12MP12C	CF/CM/CU48C	1.00	0.98	1.08
TM8V080B12MP12C	CF/CM/CU60C	1.01	1.05	1.08
TM8V080B12MP12C	XAF/XAUC48F	0.95	0.88	1.09
TM8V080B12MP12C	XAF/XAUC60G	0.97	0.88	1.07
TM8V080B12MP12C	XAFD48F	0.96	0.85	1.03
TM8V080B12MP12C	XAHC36D	0.96	0.83	1.10
TM8V080B12MP12C	XAHC48F	0.95	0.83	1.08
TM8V080B12MP12C	XAHC60G	0.97	0.89	1.09
TM8V080B12MP12C	XAFD48F	0.96	0.85	1.05
TM8V080B12MP12C	XAHD48F	0.95	0.84	1.07
TM8V080B12MP12C	XAHD60G	0.97	0.88	1.07
TM8V080B12MP12C	CF/CM/CU36C	0.99	1.02	1.06
TM8V080B12MP12C	CF/CM/CU42C	0.97	1.01	1.04
TM8V080B12MP12C	CF/CM/CU42D	0.97	1.04	1.05
TM8V080B12MP12C	CF/CM/CU48C	0.99	0.96	0.99
TM8V080B12MP12C	CF/CM/CU48D	1.01	0.99	1.01
TM8V080B12MP12C	CF/CM/CU60C	1.02	1.02	1.02
TM8V080B12MP12C	CF/CM/CU60D	1.02	1.02	1.02
TM8V080B12MP12C	XAF/XAUC48F	0.96	0.85	1.05
TM8V080B12MP12C	XAF/XAUC60G	0.98	0.88	1.06
TM8V080B12MP12C	XAF/XAUD60G	0.98	0.88	1.06
TM8V080B12MP12C	XAFC36D	0.94	0.82	1.08
TM8V080B12MP12C	XAFD48F	0.96	0.85	1.05
TM8V080B12MP12C	XAHC36D	0.96	0.83	1.10
TM8V080B12MP12C	XAHC48F	0.95	0.83	1.08
TM8V080B12MP12C	XAHC60G	0.97	0.89	1.07
TM8V080B12MP12C	XAHD48F	0.95	0.84	1.07
TM8V080B12MP12C	XAHD60G	0.97	0.88	1.07
TM8V100C16MP12C	CF/CM/CU36C	0.99	1.02	1.06
TM8V100C16MP12C	CF/CM/CU42C	0.97	1.01	1.04
TM8V100C16MP12C	CF/CM/CU42D	0.97	1.04	1.05
TM8V100C16MP12C	CF/CM/CU48C	0.99	0.96	0.99
TM8V100C16MP12C	CF/CM/CU48D	1.01	0.99	1.01
TM8V100C16MP12C	CF/CM/CU60C	1.02	1.02	1.02
TM8V100C16MP12C	CF/CM/CU60D	1.02	1.02	1.02
TM8V100C16MP12C	XAF/XAUC48F	0.96	0.85	1.05
TM8V100C16MP12C	XAF/XAUC60G	0.98	0.88	1.06
TM8V100C16MP12C	XAF/XAUD60G	0.98	0.88	1.06
TM8V100C16MP12C	XAFC36D	0.94	0.82	1.08
TM8V100C16MP12C	XAFD48F	0.96	0.85	1.05
TM8V100C16MP12C	XAHC36D	0.95	0.82	1.11
TM8V100C16MP12C	XAHC48F	0.95	0.83	1.08
TM8V100C16MP12C	XAHC60G	0.97	0.89	1.07
TM8V100C16MP12C	XAHD48F	0.95	0.83	1.08
TM8V100C16MP12C	XAHD60G	0.97	0.88	1.07
TM8V100C20MP12C	CF/CM/CU36C	1.00	1.04	1.08
TM8V100C20MP12C	CF/CM/CU42C	0.98	1.07	1.06
TM8V100C20MP12C	CF/CM/CU42D	0.98	1.08	1.06
TM8V100C20MP12C	CF/CM/CU48C	1.02	1.01	1.02
TM8V100C20MP12C	CF/CM/CU48D	1.02	1.01	1.02
TM8V100C20MP12C	CF/CM/CU60C	1.02	1.02	1.02
TM8V100C20MP12C	CF/CM/CU60D	1.02	1.02	1.02
TM8V100C20MP12C	XAF/XAUC60G	0.98	0.86	1.04
TM8V100C20MP12C	XAHC48F	0.96	0.85	1.04
TM8V100C20MP12C	XAHC60G	0.97	0.88	1.04
TM8V120C20MP12C	CF/CM/CU36C	1.00	1.04	1.08
TM8V120C20MP12C	CF/CM/CU42C	0.98	1.07	1.06
TM8V120C20MP12C	CF/CM/CU42D	0.98	1.08	1.06
TM8V120C20MP12C	CF/CM/CU48C	1.02	1.01	1.02
TM8V120C20MP12C	CF/CM/CU48D	1.02	1.01	1.02
TM8V120C20MP12C	CF/CM/CU60C	1.02	1.02	1.02
TM8V120C20MP12C	CF/CM/CU60D	1.02	1.02	1.02
TM8V120C20MP12C	XAF/XAUC60G	0.98	0.86	1.04
TM8V120C20MP12C	XAHC48F	0.96	0.85	1.04
TM8V120C20MP12C	XAHC60G	0.97	0.88	1.04
TM8V120C20MP12C	XAHD48F	0.96	0.85	1.04
TM8V120C20MP12C	XAHD60G	0.97	0.88	1.04
TM8X060A12MP11	CF/CM/CU36B	0.99	1.03	1.07
TM8X060A12MP11	CF/CM36A	0.99	1.02	1.06

**FURNACE MULTIPLIERS - 3 TON (Continued)**

Furnaces	Coil	T.C.	S.C.	KW
TM8V080B12MP12C	XAF/XAUC60G	0.97	0.88	1.13
TM8V080B12MP12C	XAHC48F	0.95	0.90	1.10
TM8V080B12MP12C	XAHC60G	0.96	0.92	1.10
TM8V080C16MP12C	CF/CM/CU36C	0.99	1.02	1.06
TM8V080C16MP12C	CF/CM/CU42C	0.97	1.01	1.04
TM8V080C16MP12C	CF/CM/CU42D	0.97	1.04	1.05
TM8V080C16MP12C	CF/CM/CU48C	0.99	0.96	0.99
TM8V080C16MP12C	CF/CM/CU48D	1.01	0.99	1.01
TM8V080C16MP12C	CF/CM/CU60C	1.02	1.02	1.02
TM8V080C16MP12C	CF/CM/CU60D	1.02	1.02	1.02
TM8V080C16MP12C	XAF/XAUC48F	0.96	0.85	1.05
TM8V080C16MP12C	XAF/XAUC60G	0.98	0.88	1.06
TM8V080C16MP12C	XAF/XAUD60G	0.98	0.88	1.06
TM8V080C16MP12C	XAFC36D	0.94	0.82	1.08
TM8V080C16MP12C	XAFD48F	0.96	0.85	1.05
TM8V080C16MP12C	XAHC36D	0.96	0.83	1.10
TM8V080C16MP12C	XAHC48F	0.95	0.83	1.08
TM8V080C16MP12C	XAHC60G	0.97	0.89	1.07
TM8V080C16MP12C	XAHD48F	0.95	0.84	1.07
TM8V080C16MP12C	XAHD60G	0.97	0.88	1.07
TM8V100C16MP12C	CF/CM/CU36C	0.99	1.02	1.06
TM8V100C16MP12C	CF/CM/CU42C	0.97	1.01	1.04
TM8V100C16MP12C	CF/CM/CU42D	0.97	1.04	1.05
TM8V100C16MP12C	CF/CM/CU48C	0.99	0.96	0.99
TM8V100C16MP12C	CF/CM/CU48D	1.01	0.99	1.01
TM8V100C16MP12C	CF/CM/CU60C	1.02	1.02	1.02
TM8V100C16MP12C	CF/CM/CU60D	1.02	1.02	1.02
TM8V100C16MP12C	XAF/XAUC48F	0.96	0.85	1.05
TM8V100C16MP12C	XAF/XAUC60G	0.98	0.88	1.06
TM8V100C16MP12C	XAF/XAUD60G	0.98	0.88	1.06
TM8V100C16MP12C	XAFC36D	0.94	0.82	1.08
TM8V100C16MP12C	XAFD48F	0.96	0.85	1.05
TM8V100C16MP12C	XAHC36D	0.95	0.82	1.11
TM8V100C16MP12C	XAHC48F	0.95	0.83	1.08
TM8V100C16MP12C	XAHC60G	0.97	0.89	1.07
TM8V100C16MP12C	XAHD48F	0.95	0.83	1.08
TM8V100C16MP12C	XAHD60G	0.97	0.88	1.07
TM8V100C20MP12C	CF/CM/CU36C	1.00	1.04	1.08
TM8V100C20MP12C	CF/CM/CU42C	0.98	1.07	1.06
TM8V100C20MP12C	CF/CM/CU42D	0.98	1.08	1.06
TM8V100C20MP12C	CF/CM/CU48C	1.02	1.01	1.02
TM8V100C20MP12C	CF/CM/CU48D	1.02	1.01	1.02
TM8V100C20MP12C	CF/CM/CU60C	1.02	1.02	1.02
TM8V100C20MP12C	CF/CM/CU60D	1.02	1.02	1.02
TM8V100C20MP12C	XAF/XAUC60G	0.98	0.86	1.04
TM8V100C20MP12C	XAHC48F	0.96	0.85	1.04
TM8V100C20MP12C	XAHC60G	0.97	0.88	1.04
TM8V120C20MP12C	CF/CM/CU36C	1.00	1.04	1.08
TM8V120C20MP12C	CF/CM/CU42C	0.98	1.07	1.06
TM8V120C20MP12C	CF/CM/CU42D	0.98	1.08	1.06
TM8V120C20MP12C	CF/CM/CU48C	1.02	1.01	1.02
TM8V120C20MP12C	CF/CM/CU48D	1.02	1.01	1.02
TM8V120C20MP12C	CF/CM/CU60C	1.02	1.02	1.02
TM8V120C20MP12C	CF/CM/CU60D	1.02	1.02	1.02
TM8V120C20MP12C	XAF/XAUC60G	0.98	0.86	1.04
TM8V120C20MP12C	XAHC48F	0.96	0.85	1.04
TM8V120C20MP12C	XAHC60G	0.97	0.88	1.04
TM8V120C20MP12C	XAHD48F	0.96	0.85	1.04
TM8V120C20MP12C	XAHD60G	0.97	0.88	1.04
TM8X060A12MP11	CF/CM/CU36B	0.99	1.03	1.07
TM8X060A12MP11	CF/CM36A	0.99	1.02	1.06

## FURNACE MULTIPLIERS - 3 TON (Continued)

Furnaces	Coil	T.C.	S.C.	KW
TM8X060A12MP11	CF42B	0.98	1.06	1.06
TM8X080B12MP11	CF/CM/CU36B	0.98	1.09	1.05
TM8X080B12MP11	CF/CM/CU36C	1.01	1.05	1.08
TM8X080B12MP11	CF/CM/CU42C	0.98	1.10	1.05
TM8X080B12MP11	CF/CM/CU48C	1.03	1.02	1.11
TM8X080B12MP11	CF/CM/CU60C	1.02	1.04	1.10
TM8X080B12MP11	CF42B	0.97	1.09	1.05
TM8X080C16MP11	CF/CM/CU36C	1.00	1.04	1.08
TM8X080C16MP11	CF/CM/CU42C	0.98	1.07	1.06
TM8X080C16MP11	CF/CM/CU42D	1.00	1.05	1.08
TM8X080C16MP11	CF/CM/CU48C	1.02	1.01	1.02
TM8X080C16MP11	CF/CM/CU48D	1.02	1.01	1.02
TM8X080C16MP11	CF/CM/CU60C	1.02	1.02	1.02
TM8X080C16MP11	CF/CM/CU60D	1.03	1.01	1.03
TM8X100C16MP11	CF/CM/CU36C	1.00	1.04	1.08
TM8X100C16MP11	CF/CM/CU42C	0.98	1.07	1.06
TM8X100C16MP11	CF/CM/CU42D	1.00	1.05	1.08
TM8X100C16MP11	CF/CM/CU48C	1.02	1.01	1.02
TM8X100C16MP11	CF/CM/CU48D	1.02	1.01	1.02
TM8X100C16MP11	CF/CM/CU60C	1.02	1.02	1.02
TM8X100C16MP11	CF/CM/CU60D	1.03	1.01	1.03
TM8X100C20MP11	CF/CM/CU36C	0.99	1.09	1.07
TM8X100C20MP11	CF/CM/CU42C	0.99	1.10	1.06
TM8X100C20MP11	CF/CM/CU42D	0.99	1.11	1.06
TM8X100C20MP11	CF/CM/CU48C	1.03	1.03	1.03
TM8X100C20MP11	CF/CM/CU48D	1.03	1.04	1.03
TM8X100C20MP11	CF/CM/CU60C	1.03	1.04	1.03
TM8X100C20MP11	CF/CM/CU60D	1.03	1.05	1.03
TM8X120C20MP11	CF/CM/CU36C	0.99	1.09	1.07
TM8X120C20MP11	CF/CM/CU42C	0.99	1.10	1.06
TM8X120C20MP11	CF/CM/CU42D	0.99	1.11	1.06
TM8X120C20MP11	CF/CM/CU48C	1.03	1.03	1.03
TM8X120C20MP11	CF/CM/CU48D	1.03	1.04	1.03
TM8X120C20MP11	CF/CM/CU60C	1.03	1.04	1.03
TM8X120C20MP11	CF/CM/CU60D	1.03	1.05	1.03
TM8Y060A12MP11	CF/CM/CU36B	0.99	1.03	1.07
TM8Y060A12MP11	CF/CM36A	0.99	1.02	1.06
TM8Y060A12MP11	CF42B	0.98	1.06	1.06
TM8Y060A12MP11	XAF/XAUB36D	0.96	0.91	1.08
TM8Y080B12MP11	CF/CM/CU36B	0.98	1.09	1.05
TM8Y080B12MP11	CF/CM/CU36C	1.01	1.05	1.08
TM8Y080B12MP11	CF/CM/CU42C	0.98	1.10	1.05
TM8Y080B12MP11	CF/CM/CU48C	1.03	1.02	1.11
TM8Y080B12MP11	CF/CM/CU60C	1.02	1.04	1.10
TM8Y080B12MP11	CF42B	0.97	1.09	1.05
TM8Y080B12MP11	XAF/XAUB36D	0.96	0.90	1.07
TM8Y080B12MP11	XAF/XAUC48F	0.96	0.87	1.06
TM8Y080B12MP11	XAF/XAUC60G	0.98	0.90	1.08
TM8Y080B12MP11	XAFC36D	0.96	0.89	1.07
TM8Y080B12MP11	XAHC48F	0.96	0.89	1.08
TM8Y080B12MP11	XAHC60G	0.97	0.90	1.08
TM8Y080C16MP11	CF/CM/CU36C	1.00	1.04	1.08
TM8Y080C16MP11	CF/CM/CU42C	0.98	1.07	1.06
TM8Y080C16MP11	CF/CM/CU42D	1.00	1.05	1.08
TM8Y080C16MP11	CF/CM/CU48C	1.02	1.01	1.02
TM8Y080C16MP11	CF/CM/CU48D	1.02	1.01	1.02
TM8Y080C16MP11	CF/CM/CU60C	1.02	1.02	1.02
TM8Y080C16MP11	CF/CM/CU60D	1.03	1.01	1.03
TM8Y080C16MP11	XAF/XAUC48F	0.97	0.89	1.03

## FURNACE MULTIPLIERS - 3 TON (Continued)

Furnaces	Coil	T.C.	S.C.	KW
TM8Y080C16MP11	XAF/XAUC60G	0.98	0.86	1.06
TM8Y080C16MP11	XAF/XAUD60G	0.99	0.91	1.04
TM8Y080C16MP11	XAFC36D	0.96	0.85	1.06
TM8Y080C16MP11	XAFD48F	0.97	0.89	1.03
TM8Y080C16MP11	XAHC36D	0.97	0.86	1.09
TM8Y080C16MP11	XAHC48F	0.96	0.85	1.06
TM8Y080C16MP11	XAHC60G	0.98	0.91	1.04
TM8Y080C16MP11	XAHD48F	0.96	0.91	1.04
TM8Y080C16MP11	XAHD60G	0.97	0.92	1.05
TM8Y100C16MP11	CF/CM/CU36C	1.00	1.04	1.08
TM8Y100C16MP11	CF/CM/CU42C	0.98	1.07	1.06
TM8Y100C16MP11	CF/CM/CU42D	1.00	1.05	1.08
TM8Y100C16MP11	CF/CM/CU48C	1.02	1.01	1.02
TM8Y100C16MP11	CF/CM/CU48D	1.02	1.01	1.02
TM8Y100C16MP11	CF/CM/CU60C	1.02	1.02	1.02
TM8Y100C16MP11	CF/CM/CU60D	1.03	1.01	1.03
TM8Y100C16MP11	XAF/XAUC48F	0.97	0.89	1.03
TM8Y100C16MP11	XAF/XAUC60G	0.98	0.86	1.06
TM8Y100C16MP11	XAF/XAUD60G	0.99	0.91	1.04
TM8Y100C16MP11	XAFC36D	0.96	0.85	1.06
TM8Y100C16MP11	XAFD48F	0.97	0.89	1.03
TM8Y100C16MP11	XAHC48F	0.96	0.85	1.06
TM8Y100C16MP11	XAHC60G	0.98	0.91	1.04
TM8Y100C16MP11	XAHD48F	0.96	0.91	1.04
TM8Y100C16MP11	XAHD60G	0.97	0.92	1.05
TM8Y100C20MP11	CF/CM/CU36C	0.99	1.09	1.07
TM8Y100C20MP11	CF/CM/CU42C	0.99	1.10	1.06
TM8Y100C20MP11	CF/CM/CU42D	0.99	1.11	1.06
TM8Y100C20MP11	CF/CM/CU48C	1.03	1.03	1.03
TM8Y100C20MP11	CF/CM/CU48D	1.03	1.04	1.03
TM8Y100C20MP11	CF/CM/CU60C	1.03	1.04	1.03
TM8Y100C20MP11	CF/CM/CU60D	1.03	1.05	1.03
TM8Y100C20MP11	CF/CM/CU42C	0.99	1.10	1.06
TM8Y100C20MP11	CF/CM/CU42D	0.99	1.11	1.06
TM8Y100C20MP11	CF/CM/CU48C	1.03	1.03	1.03
TM8Y100C20MP11	CF/CM/CU48D	1.03	1.04	1.03
TM8Y100C20MP11	CF/CM/CU60C	1.03	1.04	1.03
TM8Y100C20MP11	CF/CM/CU60D	1.03	1.05	1.03
TM8Y100C20MP11	XAF/XAUC48F	0.97	0.88	1.02
TM8Y100C20MP11	XAFC36D	0.96	0.85	1.04
TM8Y100C20MP11	XAHD48F	0.96	0.89	1.03
TM8Y100C20MP11	XAHD60G	0.98	0.91	1.05
TM8Y120C20MP11	CF/CM/CU36C	0.99	1.09	1.07
TM8Y120C20MP11	CF/CM/CU42C	0.99	1.10	1.06
TM8Y120C20MP11	CF/CM/CU42D	0.99	1.11	1.06
TM8Y120C20MP11	CF/CM/CU48C	1.03	1.03	1.03
TM8Y120C20MP11	CF/CM/CU48D	1.03	1.04	1.03
TM8Y120C20MP11	CF/CM/CU60C	1.03	1.04	1.03
TM8Y120C20MP11	CF/CM/CU60D	1.03	1.05	1.03
TM8Y120C20MP11	XAF/XAUC48F	0.97	0.88	1.02
TM8Y120C20MP11	XAFC36D	0.96	0.85	1.04
TM8Y120C20MP11	XAHD48F	0.96	0.89	1.03
TM8Y120C20MP11	XAHD60G	0.98	0.91	1.05
TM9E060A10MP12	XAF/XAUB36D	0.95	0.89	1.10
TM9E060B12MP12	XAF/XAUB36D	0.96	0.93	1.09
TM9E060B12MP12	XAF/XAUC48F	0.96	0.90	1.08
TM9E060B12MP12	XAF/XAUC60G	0.97	0.88	1.12
TM9E060B12MP12	XAFC36D	0.96	0.93	1.09
TM9E060B12MP12	XAHC48F	0.96	0.92	1.09
TM9E060B12MP12	XAHC60G	0.96	0.88	1.12
TM9E080B12MP11	CF/CM/CU36B	0.98	1.00	1.05
TM9E080B12MP11	CF/CM/CU36C	0.99	0.99	1.06
TM9E080B12MP11	CF/CM/CU42C	0.96	1.04	1.03
TM9E080B12MP11	CF/CM/CU48C	1.01	0.97	1.08
TM9E080B12MP11	CF/CM/CU60C	1.02	0.95	1.10

**FURNACE MULTIPLIERS - 3 TON (Continued)**

Furnaces	Coil	T.C.	S.C.	KW
TM9E080B12MP11	CF42B	0.95	1.03	1.03
TM9E080B12MP12	XAF/XAUB36D	0.95	0.87	1.09
TM9E080B12MP12	XAF/XAUC48F	0.96	0.86	1.08
TM9E080B12MP12	XAF/XAUC60G	0.97	0.85	1.11
TM9E080B12MP12	XAFC36D	0.95	0.87	1.09
TM9E080B12MP12	XAHC48F	0.95	0.88	1.09
TM9E080B12MP12	XAHC60G	0.97	0.89	1.09
TM9E080C16MP12	XAF/XAUC48F	0.96	0.86	1.06
TM9E080C16MP12	XAF/XAUC60G	0.98	0.88	1.07
TM9E080C16MP12	XAF/XAUD60G	0.98	0.88	1.07
TM9E080C16MP12	XAFC36D	0.96	0.88	1.07
TM9E080C16MP12	XAFD48F	0.96	0.86	1.05
TM9E080C16MP12	XAHC48F	0.96	0.87	1.07
TM9E080C16MP12	XAHC60G	0.97	0.88	1.07
TM9E080C16MP12	XAHD48F	0.96	0.87	1.07
TM9E080C16MP12	XAHD60G	0.97	0.89	1.07
TM9E100C16MP11	CF/CM/CU36C	0.98	1.12	1.06
TM9E100C16MP11	CF/CM/CU42C	0.99	1.11	1.06
TM9E100C16MP11	CF/CM/CU48C	1.02	1.07	1.10
TM9E100C16MP11	CF/CM/CU48D	1.03	1.07	1.11
TM9E100C16MP11	CF/CM/CU60C	1.03	1.06	1.03
TM9E100C16MP11	CF/CM/CU60D	1.02	1.09	1.10
TM9E100C16MP12	XAF/XAUC48F	0.96	0.86	1.05
TM9E100C16MP12	XAF/XAUC60G	0.98	0.88	1.06
TM9E100C16MP12	XAF/XAUD60G	0.98	0.88	1.06
TM9E100C16MP12	XAFC36D	0.96	0.88	1.06
TM9E100C16MP12	XAFD48F	0.96	0.86	1.05
TM9E100C16MP12	XAHC48F	0.96	0.87	1.06
TM9E100C16MP12	XAHC60G	0.97	0.88	1.06
TM9E100C16MP12	XAHD48F	0.96	0.87	1.07
TM9E100C16MP12	XAHD60G	0.97	0.89	1.08
TM9E120D20MP11	CF/CM/CU42D	0.99	1.11	1.06
TM9E120D20MP11	CF/CM/CU48D	1.03	1.04	1.03
TM9E120D20MP11	CF/CM/CU60D	1.03	1.05	1.03
TM9V060B12MP12C	CF/CM/CU36B	0.98	1.00	1.06
TM9V060B12MP12C	CF/CM/CU36C	0.98	1.00	1.06
TM9V060B12MP12C	CF/CM/CU42C	0.95	1.04	1.03
TM9V060B12MP12C	CF/CM/CU48C	1.00	0.98	1.08
TM9V060B12MP12C	CF/CM/CU60C	1.01	1.05	1.09
TM9V060B12MP12C	CF42B	0.95	1.04	1.03
TM9V060B12MP12C	XAF/XAUC48F	0.97	0.92	1.08
TM9V060B12MP12C	XAF/XAUC60G	0.98	0.91	1.10
TM9V060B12MP12C	XAHC48F	0.95	0.91	1.10
TM9V060B12MP12C	XAHC60G	0.97	0.93	1.10
TM9V080B12MP12C	CF/CM/CU36B	0.98	1.00	1.05
TM9V080B12MP12C	CF/CM/CU42C	0.97	1.01	1.04
TM9V080B12MP12C	CF/CM/CU48C	0.99	0.97	1.07
TM9V080B12MP12C	CF/CM/CU60C	1.01	1.07	1.09
TM9V080B12MP12C	CF42B	0.95	1.04	1.02
TM9V080B12MP12C	XAF/XAUB36D	0.94	0.86	1.10
TM9V080B12MP12C	XAF/XAUC48F	0.96	0.85	1.09
TM9V080B12MP12C	XAF/XAUC60G	0.98	0.90	1.08
TM9V080B12MP12C	XAFC36D	0.95	0.86	1.10
TM9V080B12MP12C	XAHC48F	0.95	0.86	1.10
TM9V080B12MP12C	XAHC60G	0.97	0.89	1.09
TM9V080C16MP12C	CF/CM/CU36C	0.97	1.04	1.04
TM9V080C16MP12C	CF/CM/CU42C	0.97	1.01	1.04
TM9V080C16MP12C	CF/CM/CU42D	0.97	1.01	1.04
TM9V080C16MP12C	CF/CM/CU48C	1.01	0.98	1.01

**FURNACE MULTIPLIERS - 3 TON (Continued)**

Furnaces	Coil	T.C.	S.C.	KW
TM9V080C16MP12C	CF/CM/CU48D	1.01	0.98	1.01
TM9V080C16MP12C	CF/CM/CU60C	1.02	1.04	1.10
TM9V080C16MP12C	CF/CM/CU60D	1.02	1.04	1.02
TM9V080C16MP12C	XAF/XAUC48F	0.96	0.84	1.07
TM9V080C16MP12C	XAF/XAUC60G	0.98	0.87	1.08
TM9V080C16MP12C	XAF/XAUD60G	0.98	0.87	1.08
TM9V080C16MP12C	XAFC36D	0.94	0.83	1.09
TM9V080C16MP12C	XAFD48F	0.96	0.84	1.06
TM9V080C16MP12C	XAHC36D	0.96	0.83	1.12
TM9V080C16MP12C	XAHC48F	0.95	0.86	1.08
TM9V080C16MP12C	XAHC60G	0.97	0.87	1.08
TM9V080C16MP12C	XAHD48F	0.95	0.86	1.08
TM9V080C16MP12C	XAHD60G	0.97	0.87	1.09
TM9V100C16MP12C	CF/CM/CU36C	0.99	0.99	1.07
TM9V100C16MP12C	CF/CM/CU42C	0.97	1.03	1.04
TM9V100C16MP12C	CF/CM/CU42D	0.96	1.03	1.03
TM9V100C16MP12C	CF/CM/CU48C	1.00	0.97	1.00
TM9V100C16MP12C	CF/CM/CU48D	1.00	0.97	1.00
TM9V100C16MP12C	CF/CM/CU60C	1.03	1.02	1.03
TM9V100C16MP12C	CF/CM/CU60D	1.03	1.01	1.03
TM9V100C16MP12C	XAF/XAUC48F	0.96	0.87	1.04
TM9V100C16MP12C	XAF/XAUC60G	0.98	0.88	1.05
TM9V100C16MP12C	XAF/XAUD60G	0.98	0.89	1.05
TM9V100C16MP12C	XAFC36D	0.96	0.85	1.07
TM9V100C16MP12C	XAFD48F	0.96	0.87	1.03
TM9V100C16MP12C	XAHC36D	0.96	0.85	1.09
TM9V100C16MP12C	XAHC48F	0.96	0.87	1.05
TM9V100C16MP12C	XAHC60G	0.98	0.90	1.05
TM9V100C16MP12C	XAHD48F	0.96	0.87	1.06
TM9V100C16MP12C	XAHD60G	0.97	0.90	1.06
TM9V100C20MP12C	CF/CM/CU36C	0.98	1.06	1.05
TM9V100C20MP12C	CF/CM/CU42C	0.98	1.06	1.05
TM9V100C20MP12C	CF/CM/CU42D	0.98	1.06	1.05
TM9V100C20MP12C	CF/CM/CU48C	0.99	1.04	1.06
TM9V100C20MP12C	CF/CM/CU48D	0.99	1.04	1.06
TM9V100C20MP12C	CF/CM/CU60C	1.03	1.05	1.03
TM9V100C20MP12C	CF/CM/CU60D	1.03	1.05	1.03
TM9V100C20MP12C	XAF/XAUC48F	0.96	0.85	1.05
TM9V100C20MP12C	XAF/XAUC60G	0.98	0.88	1.06
TM9V100C20MP12C	XAF/XAUD60G	0.98	0.88	1.06
TM9V100C20MP12C	XAFC36D	0.95	0.86	1.06
TM9V100C20MP12C	XAFD48F	0.96	0.85	1.05
TM9V100C20MP12C	XAHC48F	0.95	0.85	1.06
TM9V100C20MP12C	XAHC60G	0.97	0.89	1.06
TM9V100C20MP12C	XAHD48F	0.95	0.85	1.06
TM9V100C20MP12C	XAHD60G	0.97	0.88	1.07
TM9V120D20MP12C	CF/CM/CU42D	0.97	1.04	1.05
TM9V120D20MP12C	CF/CM/CU48D	1.01	0.98	1.01
TM9V120D20MP12C	CF/CM/CU60D	1.03	1.03	1.03
TM9V120D20MP12C	XAF/XAUD60G	0.98	0.89	1.04
TM9V120D20MP12C	XAFD48F	0.97	0.88	1.03
TM9V120D20MP12C	XAHD48F	0.96	0.84	1.05
TM9V120D20MP12C	XAHD60G	0.97	0.86	1.06
TM9Y060B12MP11	XAF/XAUB36D	0.95	0.90	1.09
TM9Y060B12MP11	XAF/XAUC48F	0.96	0.89	1.09
TM9Y060B12MP11	XAF/XAUC60G	0.97	0.90	1.09
TM9Y060B12MP11	XAFC36D	0.95	0.90	1.09
TM9Y060B12MP11	XAHC48F	0.95	0.90	1.10
TM9Y060B12MP11	XAHC60G	0.96	0.90	1.10

## FURNACE MULTIPLIERS - 3 TON (Continued)

Furnaces	Coil	T.C.	S.C.	KW
TM9Y080B12MP11	CF/CM/CU36B	0.98	1.00	1.05
TM9Y080B12MP11	CF/CM/CU36C	0.99	0.99	1.06
TM9Y080B12MP11	CF/CM/CU42C	0.96	1.04	1.03
TM9Y080B12MP11	CF/CM/CU48C	1.01	0.97	1.08
TM9Y080B12MP11	CF/CM/CU60C	1.02	0.95	1.10
TM9Y080B12MP11	CF42B	0.95	1.03	1.03
TM9Y080B12MP11	XAF/XAUB36D	0.95	0.90	1.08
TM9Y080B12MP11	XAF/XAUC48F	0.96	0.87	1.07
TM9Y080B12MP11	XAF/XAUC60G	0.98	0.90	1.09
TM9Y080B12MP11	XAFC36D	0.96	0.90	1.08
TM9Y080B12MP11	XAHC48F	0.97	0.95	1.07
TM9Y080B12MP11	XAHC60G	0.97	0.90	1.09
TM9Y080C16MP11	XAF/XAUC48F	0.96	0.86	1.06
TM9Y080C16MP11	XAF/XAUC60G	0.98	0.88	1.07
TM9Y080C16MP11	XAF/XAUD60G	0.98	0.88	1.07
TM9Y080C16MP11	XAFC36D	0.96	0.88	1.07
TM9Y080C16MP11	XAFD48F	0.96	0.86	1.06
TM9Y080C16MP11	XAHC48F	0.96	0.87	1.07
TM9Y080C16MP11	XAHC60G	0.97	0.88	1.08
TM9Y080C16MP11	XAHD48F	0.96	0.87	1.07
TM9Y080C16MP11	XAHD60G	0.97	0.89	1.08
TM9Y100C16MP11	CF/CM/CU36C	0.98	1.12	1.06
TM9Y100C16MP11	CF/CM/CU42C	0.99	1.11	1.06
TM9Y100C16MP11	CF/CM/CU48C	1.02	1.07	1.10
TM9Y100C16MP11	CF/CM/CU48D	1.03	1.07	1.11
TM9Y100C16MP11	CF/CM/CU60C	1.03	1.06	1.03
TM9Y100C16MP11	CF/CM/CU60D	1.02	1.09	1.10
TM9Y100C16MP11	XAF/XAUC48F	0.96	0.86	1.05
TM9Y100C16MP11	XAF/XAUC60G	0.98	0.88	1.07
TM9Y100C16MP11	XAF/XAUD60G	0.98	0.88	1.06
TM9Y100C16MP11	XAFC36D	0.96	0.88	1.07
TM9Y100C16MP11	XAFD48F	0.96	0.86	1.05
TM9Y100C16MP11	XAHC48F	0.96	0.91	1.05
TM9Y100C16MP11	XAHC60G	0.96	0.84	1.09
TM9Y100C16MP11	XAHD48F	0.96	0.87	1.07
TM9Y100C16MP11	XAHD60G	0.97	0.89	1.07
TM9Y120D20MP11	CF/CM/CU42D	0.99	1.11	1.06
TM9Y120D20MP11	CF/CM/CU48D	1.03	1.04	1.03
TM9Y120D20MP11	CF/CM/CU60D	1.03	1.05	1.03
TM9Y120D20MP11	XAF/XAUD60G	0.99	0.90	1.04
TM9Y120D20MP11	XAFD48F	0.97	0.87	1.02
TM9Y120D20MP11	XAHD48F	0.96	0.89	1.04
TM9Y120D20MP11	XAHD60G	0.97	0.90	1.05
TMLE040A12MP11	XAF/XAUB36D	0.96	0.89	1.08
TMLE060A12MP11	XAF/XAUB36D	0.96	0.88	1.09
TMLE080B12MP11	XAF/XAUB36D	0.95	0.87	1.08
TMLE080B12MP11	XAF/XAUC48F	0.96	0.86	1.07
TMLE080B12MP11	XAF/XAUC60G	0.98	0.94	1.06
TMLE080B12MP11	XAFC36D	0.95	0.87	1.08
TMLE080B12MP11	XAHC48F	0.95	0.88	1.09
TMLE080B12MP11	XAHC60G	0.97	0.89	1.09
TMLE080C16MP11	XAF/XAUC48F	0.97	0.86	1.04
TMLE080C16MP11	XAF/XAUC60G	0.98	0.88	1.05
TMLE080C16MP11	XAF/XAUD60G	0.98	0.88	1.05
TMLE080C16MP11	XAFC36D	0.96	0.88	1.05
TMLE080C16MP11	XAFD48F	0.96	0.85	1.03
TMLE080C16MP11	XAHC36D	0.97	0.88	1.07
TMLE080C16MP11	XAHC48F	0.96	0.87	1.05
TMLE080C16MP11	XAHC60G	0.98	0.94	1.05

## FURNACE MULTIPLIERS - 3 TON (Continued)

Furnaces	Coil	T.C.	S.C.	KW
TMLE080C16MP11	XAHD48F	0.96	0.88	1.06
TMLE080C16MP11	XAHD60G	0.97	0.89	1.06
TMLE100B12MP11	XAF/XAUB36D	0.96	0.88	1.08
TMLE100B12MP11	XAF/XAUC48F	0.96	0.86	1.07
TMLE100B12MP11	XAF/XAUC60G	0.98	0.88	1.08
TMLE100B12MP11	XAFC36D	0.96	0.88	1.08
TMLE100B12MP11	XAHC48F	0.96	0.92	1.06
TMLE100B12MP11	XAHC60G	0.97	0.89	1.08
TMLE100C16MP11	XAF/XAUC48F	0.96	0.85	1.04
TMLE100C16MP11	XAF/XAUC60G	0.98	0.88	1.05
TMLE100C16MP11	XAF/XAUD60G	0.98	0.88	1.05
TMLE100C16MP11	XAFC36D	0.97	0.93	1.04
TMLE100C16MP11	XAFD48F	0.97	0.85	1.04
TMLE100C16MP11	XAHC36D	0.97	0.88	1.08
TMLE100C16MP11	XAHC48F	0.96	0.87	1.05
TMLE100C16MP11	XAHC60G	0.97	0.88	1.06
TMLE100C16MP11	XAHD48F	0.96	0.87	1.06
TMLE100C16MP11	XAHD60G	0.97	0.88	1.06
TMLE120C16MP11	XAF/XAUC48F	0.96	0.85	1.04
TMLE120C16MP11	XAF/XAUC60G	0.98	0.88	1.05
TMLE120C16MP11	XAF/XAUD60G	0.98	0.88	1.05
TMLE120C16MP11	XAFC36D	0.96	0.88	1.05
TMLE120C16MP11	XAFD48F	0.97	0.85	1.04
TMLE120C16MP11	XAHC36D	0.97	0.88	1.08
TMLE120C16MP11	XAHC48F	0.96	0.87	1.05
TMLE120C16MP11	XAHC60G	0.97	0.88	1.05
TMLE120C16MP11	XAHD48F	0.96	0.87	1.05
TMLE120C16MP11	XAHD60G	0.97	0.88	1.06
TMLV060A12MP12C	CF/CM/CU36B	0.97	1.00	1.05
TMLV060A12MP12C	CF42B	0.95	1.04	1.02
TMLV060A12MP12C	XAF/XAUB36D	0.95	0.85	1.10
TMLV080B12MP12C	CF/CM/CU36C	0.98	1.00	1.06
TMLV080B12MP12C	CF/CM/CU42C	0.95	1.04	1.03
TMLV080B12MP12C	CF/CM/CU48C	1.00	0.98	1.08
TMLV080B12MP12C	CF/CM/CU60C	1.01	1.05	1.08
TMLV080C16MP12C	CF/CM/CU36C	0.99	1.02	1.06
TMLV080C16MP12C	CF/CM/CU42C	0.97	1.01	1.04
TMLV080C16MP12C	CF/CM/CU42D	0.97	1.04	1.05
TMLV080C16MP12C	CF/CM/CU48C	0.99	0.96	0.99
TMLV080C16MP12C	CF/CM/CU48D	1.01	0.99	1.01
TMLV080C16MP12C	CF/CM/CU60C	1.02	1.02	1.02
TMLV080C16MP12C	CF/CM/CU60D	1.02	1.02	1.02
TMLV100C16MP12C	CF/CM/CU36C	0.99	1.02	1.06
TMLV100C16MP12C	CF/CM/CU42C	0.97	1.01	1.04
TMLV100C16MP12C	CF/CM/CU42D	0.97	1.04	1.05
TMLV100C16MP12C	CF/CM/CU48C	0.99	0.96	0.99
TMLV100C16MP12C	CF/CM/CU48D	1.01	0.99	1.01
TMLV100C16MP12C	CF/CM/CU60C	1.02	1.02	1.02
TMLV100C16MP12C	CF/CM/CU60D	1.02	1.02	1.02
TMLV100C16MP12C	XAF/XAUC48F	0.96	0.85	1.05
TMLV100C16MP12C	XAF/XAUC60G	0.98	0.88	1.06
TMLV100C16MP12C	XAF/XAUD60G	0.98	0.88	1.06
TMLV100C16MP12C	XAFC36D	0.94	0.82	1.08
TMLV100C16MP12C	XAFD48F	0.96	0.85	1.05
TMLV100C16MP12C	XAHC36D	0.95	0.82	1.11
TMLV100C16MP12C	XAHC48F	0.95	0.83	1.08
TMLV100C16MP12C	XAHC60G	0.97	0.89	1.07
TMLV100C16MP12C	XAHD48F	0.95	0.83	1.08
TMLV100C16MP12C	XAHD60G	0.97	0.88	1.07

**FURNACE MULTIPLIERS - 3 TON (Continued)**

Furnaces	Coil	T.C.	S.C.	KW
TMLV100C20MP12C	CF/CM/CU36C	1.00	1.04	1.08
TMLV100C20MP12C	CF/CM/CU42C	0.98	1.07	1.06
TMLV100C20MP12C	CF/CM/CU42D	0.98	1.08	1.06
TMLV100C20MP12C	CF/CM/CU48C	1.02	1.01	1.02
TMLV100C20MP12C	CF/CM/CU48D	1.02	1.01	1.02
TMLV100C20MP12C	CF/CM/CU60C	1.02	1.02	1.02
TMLV100C20MP12C	CF/CM/CU60D	1.02	1.02	1.02
TMLV120C20MP12C	CF/CM/CU36C	1.00	1.04	1.08
TMLV120C20MP12C	CF/CM/CU42C	0.98	1.07	1.06
TMLV120C20MP12C	CF/CM/CU42D	0.98	1.08	1.06
TMLV120C20MP12C	CF/CM/CU48C	1.02	1.01	1.02
TMLV120C20MP12C	CF/CM/CU48D	1.02	1.01	1.02
TMLV120C20MP12C	CF/CM/CU60C	1.02	1.02	1.02
TMLV120C20MP12C	CF/CM/CU60D	1.02	1.02	1.02
TMLV120C20MP12C	XAF/XAUC60G	0.98	0.86	1.04
TMLV120C20MP12C	XAHC48F	0.96	0.85	1.04
TMLV120C20MP12C	XAHC60G	0.97	0.88	1.04
TMLX060A12MP11	CF/CM/CU36B	0.99	1.03	1.07
TMLX060A12MP11	CF/CM36A	0.99	1.02	1.06
TMLX060A12MP11	CF42B	0.98	1.06	1.06
TMLX080B12MP11	CF/CM/CU36B	0.98	1.09	1.05
TMLX080B12MP11	CF/CM/CU36C	1.01	1.05	1.08
TMLX080B12MP11	CF/CM/CU42C	0.98	1.10	1.05
TMLX080B12MP11	CF/CM/CU48C	1.03	1.02	1.11
TMLX080B12MP11	CF/CM/CU60C	1.02	1.04	1.10
TMLX080B12MP11	CF42B	0.97	1.09	1.05
TMLX080C16MP11	CF/CM/CU36C	1.00	1.04	1.08
TMLX080C16MP11	CF/CM/CU42C	0.98	1.07	1.06
TMLX080C16MP11	CF/CM/CU42D	1.00	1.05	1.08
TMLX080C16MP11	CF/CM/CU48C	1.02	1.01	1.02
TMLX080C16MP11	CF/CM/CU48D	1.02	1.01	1.02
TMLX080C16MP11	CF/CM/CU60C	1.02	1.02	1.02
TMLX080C16MP11	CF/CM/CU60D	1.03	1.01	1.03
TMLX100C16MP11	CF/CM/CU36C	1.00	1.04	1.08
TMLX100C16MP11	CF/CM/CU42C	0.98	1.07	1.06
TMLX100C16MP11	CF/CM/CU42D	1.00	1.05	1.08
TMLX100C16MP11	CF/CM/CU48C	1.02	1.01	1.02
TMLX100C16MP11	CF/CM/CU48D	1.02	1.01	1.02
TMLX100C16MP11	CF/CM/CU60C	1.02	1.02	1.02
TMLX100C16MP11	CF/CM/CU60D	1.03	1.01	1.03
TMLX100C20MP11	CF/CM/CU36C	0.99	1.09	1.07
TMLX100C20MP11	CF/CM/CU42C	0.99	1.10	1.06
TMLX100C20MP11	CF/CM/CU42D	0.99	1.11	1.06
TMLX100C20MP11	CF/CM/CU48C	1.03	1.03	1.03
TMLX100C20MP11	CF/CM/CU48D	1.03	1.04	1.03
TMLX100C20MP11	CF/CM/CU60C	1.03	1.04	1.03
TMLX100C20MP11	CF/CM/CU60D	1.03	1.05	1.03
TMLX120C20MP11	CF/CM/CU36C	0.99	1.09	1.07
TMLX120C20MP11	CF/CM/CU42C	0.99	1.10	1.06
TMLX120C20MP11	CF/CM/CU42D	0.99	1.11	1.06
TMLX120C20MP11	CF/CM/CU48C	1.03	1.03	1.03
TMLX120C20MP11	CF/CM/CU48D	1.03	1.04	1.03
TMLX120C20MP11	CF/CM/CU60C	1.03	1.04	1.03
TMLX120C20MP11	CF/CM/CU60D	1.03	1.05	1.03
TP9C060B12MP13C	CF/CM/CU36B	0.98	1.00	1.06
TP9C060B12MP13C	CF/CM/CU36C	0.98	1.00	1.06
TP9C060B12MP13C	CF/CM/CU42C	0.95	1.04	1.03
TP9C060B12MP13C	CF/CM/CU48C	1.00	0.98	1.08
TP9C060B12MP13C	CF/CM/CU60C	1.01	1.05	1.09

**FURNACE MULTIPLIERS - 3 TON (Continued)**

Furnaces	Coil	T.C.	S.C.	KW
TP9C060B12MP13C	CF42B	0.95	1.04	1.03
TP9C060B12MP13C	XAF/XAUC48F	0.97	0.92	1.08
TP9C060B12MP13C	XAF/XAUC60G	0.98	0.91	1.10
TP9C060B12MP13C	XAHC48F	0.95	0.91	1.10
TP9C060B12MP13C	XAHC60G	0.97	0.93	1.10
TP9C080B12MP13C	CF/CM/CU36B	0.98	1.00	1.05
TP9C080B12MP13C	CF/CM/CU42C	0.97	1.01	1.04
TP9C080B12MP13C	CF/CM/CU48C	0.99	0.97	1.07
TP9C080B12MP13C	CF/CM/CU60C	1.01	1.07	1.09
TP9C080B12MP13C	CF42B	0.95	1.04	1.02
TP9C080B12MP13C	XAF/XAUC36D	0.94	0.86	1.10
TP9C080B12MP13C	XAF/XAUC48F	0.96	0.85	1.09
TP9C080B12MP13C	XAF/XAUC60G	0.98	0.90	1.08
TP9C080B12MP13C	XAFC36D	0.95	0.86	1.10
TP9C080B12MP13C	XAHC48F	0.95	0.86	1.10
TP9C080B12MP13C	XAHC60G	0.97	0.89	1.09
TP9C080C16MP13C	CF/CM/CU36C	0.97	1.04	1.04
TP9C080C16MP13C	CF/CM/CU42C	0.97	1.01	1.04
TP9C080C16MP13C	CF/CM/CU42D	0.97	1.01	1.04
TP9C080C16MP13C	CF/CM/CU48C	1.01	0.98	1.01
TP9C080C16MP13C	CF/CM/CU48D	1.01	0.98	1.01
TP9C080C16MP13C	CF/CM/CU60C	1.02	1.04	1.10
TP9C080C16MP13C	CF/CM/CU60D	1.02	1.04	1.02
TP9C080C16MP13C	XAF/XAUC48F	0.96	0.84	1.07
TP9C080C16MP13C	XAF/XAUC60G	0.98	0.87	1.08
TP9C080C16MP13C	XAF/XAUD60G	0.98	0.87	1.08
TP9C080C16MP13C	XAFC36D	0.94	0.83	1.09
TP9C080C16MP13C	XAFD48F	0.96	0.84	1.06
TP9C080C16MP13C	XAHC36D	0.96	0.83	1.12
TP9C080C16MP13C	XAHC48F	0.95	0.86	1.08
TP9C080C16MP13C	XAHC60G	0.97	0.87	1.08
TP9C080C16MP13C	XAHD48F	0.95	0.86	1.08
TP9C080C16MP13C	XAHD60G	0.97	0.87	1.09
TP9C100C16MP13C	CF/CM/CU36C	0.99	0.99	1.07
TP9C100C16MP13C	CF/CM/CU42C	0.97	1.03	1.04
TP9C100C16MP13C	CF/CM/CU42D	0.96	1.03	1.03
TP9C100C16MP13C	CF/CM/CU48C	1.00	0.97	1.00
TP9C100C16MP13C	CF/CM/CU48D	1.00	0.97	1.00
TP9C100C16MP13C	CF/CM/CU60C	1.03	1.02	1.03
TP9C100C16MP13C	CF/CM/CU60D	1.03	1.01	1.03
TP9C100C16MP13C	XAF/XAUC48F	0.96	0.87	1.04
TP9C100C16MP13C	XAF/XAUC60G	0.98	0.88	1.05
TP9C100C16MP13C	XAF/XAUD60G	0.98	0.89	1.05
TP9C100C16MP13C	XAFC36D	0.96	0.85	1.07
TP9C100C16MP13C	XAFD48F	0.96	0.87	1.03
TP9C100C16MP13C	XAHC36D	0.96	0.85	1.09
TP9C100C16MP13C	XAHC48F	0.96	0.87	1.05
TP9C100C16MP13C	XAHC60G	0.98	0.90	1.05
TP9C100C16MP13C	XAHD48F	0.96	0.87	1.06
TP9C100C16MP13C	XAHD60G	0.97	0.90	1.06
TP9C100C20MP13C	CF/CM/CU36C	0.98	1.06	1.05
TP9C100C20MP13C	CF/CM/CU42C	0.98	1.06	1.05
TP9C100C20MP13C	CF/CM/CU42D	0.98	1.06	1.05
TP9C100C20MP13C	CF/CM/CU48C	0.99	1.04	1.06
TP9C100C20MP13C	CF/CM/CU48D	0.99	1.04	1.06
TP9C100C20MP13C	CF/CM/CU60C	1.03	1.05	1.03
TP9C100C20MP13C	CF/CM/CU60D	1.03	1.05	1.03
TP9C100C20MP13C	XAF/XAUC48F	0.96	0.85	1.05
TP9C100C20MP13C	XAF/XAUC60G	0.98	0.88	1.06

## FURNACE MULTIPLIERS - 3 TON (Continued)

Furnaces	Coil	T.C.	S.C.	KW
TP9C100C20MP13C	XAF/XAUD60G	0.98	0.88	1.06
TP9C100C20MP13C	XAFC36D	0.95	0.86	1.06
TP9C100C20MP13C	XAFD48F	0.96	0.85	1.05
TP9C100C20MP13C	XAHC48F	0.95	0.85	1.06
TP9C100C20MP13C	XAHC60G	0.97	0.89	1.06
TP9C100C20MP13C	XAHD48F	0.95	0.85	1.06
TP9C100C20MP13C	XAHD60G	0.97	0.88	1.07
TP9C120D20MP13C	CF/CM/CU42D	0.97	1.04	1.05
TP9C120D20MP13C	CF/CM/CU48D	1.01	0.98	1.01
TP9C120D20MP13C	CF/CM/CU60D	1.03	1.03	1.03
TP9C120D20MP13C	XAF/XAUD60G	0.98	0.89	1.04
TP9C120D20MP13C	XAFD48F	0.97	0.88	1.03
TP9C120D20MP13C	XAHD48F	0.96	0.84	1.05
TP9C120D20MP13C	XAHD60G	0.97	0.86	1.06
TPLC060A12MP13C	CF/CM/CU36B	0.97	1.00	1.05
TPLC060A12MP13C	CF42B	0.95	1.04	1.02
TPLC060A12MP13C	XAF/XAUB36D	0.95	0.85	1.10
TPLC080B12MP13C	CF/CM/CU36C	0.98	1.00	1.06
TPLC080B12MP13C	CF/CM/CU42C	0.95	1.04	1.03
TPLC080B12MP13C	CF/CM/CU48C	1.00	0.98	1.08
TPLC080B12MP13C	CF/CM/CU60C	1.01	1.05	1.08
TPLC080B12MP13C	XAF/XAUC48F	0.95	0.88	1.09
TPLC080B12MP13C	XAF/XAUC60G	0.97	0.88	1.13
TPLC080B12MP13C	XAHC48F	0.95	0.90	1.10
TPLC080B12MP13C	XAHC60G	0.96	0.92	1.10
TPLC080C16MP13C	CF/CM/CU36C	0.99	1.02	1.06
TPLC080C16MP13C	CF/CM/CU42C	0.97	1.01	1.04
TPLC080C16MP13C	CF/CM/CU42D	0.97	1.04	1.05
TPLC080C16MP13C	CF/CM/CU48C	0.99	0.96	0.99
TPLC080C16MP13C	CF/CM/CU48D	1.01	0.99	1.01
TPLC080C16MP13C	CF/CM/CU60C	1.02	1.02	1.02
TPLC080C16MP13C	CF/CM/CU60D	1.02	1.02	1.02
TPLC080C16MP13C	XAF/XAUC48F	0.96	0.85	1.05
TPLC080C16MP13C	XAF/XAUC60G	0.98	0.88	1.06
TPLC080C16MP13C	XAF/XAUD60G	0.98	0.88	1.06
TPLC080C16MP13C	XAFC36D	0.94	0.82	1.08
TPLC080C16MP13C	XAFD48F	0.96	0.85	1.05
TPLC080C16MP13C	XAHC36D	0.95	0.82	1.11
TPLC080C16MP13C	XAHC48F	0.95	0.83	1.08
TPLC080C16MP13C	XAHC60G	0.97	0.89	1.07
TPLC080C16MP13C	XAHD48F	0.95	0.83	1.08
TPLC080C16MP13C	XAHD60G	0.97	0.88	1.07
TPLC100C16MP13C	CF/CM/CU36C	0.99	1.02	1.06
TPLC100C16MP13C	CF/CM/CU42C	0.97	1.01	1.04
TPLC100C16MP13C	CF/CM/CU42D	0.97	1.04	1.05
TPLC100C16MP13C	CF/CM/CU48C	0.99	0.96	0.99
TPLC100C16MP13C	CF/CM/CU48D	1.01	0.99	1.01
TPLC100C16MP13C	CF/CM/CU60C	1.02	1.02	1.02
TPLC100C16MP13C	CF/CM/CU60D	1.02	1.02	1.02
TPLC100C16MP13C	XAF/XAUC48F	0.96	0.85	1.05
TPLC100C16MP13C	XAF/XAUC60G	0.98	0.88	1.06
TPLC100C16MP13C	XAF/XAUD60G	0.98	0.88	1.06
TPLC100C16MP13C	XAFC36D	0.94	0.82	1.08
TPLC100C16MP13C	XAFD48F	0.96	0.85	1.05
TPLC100C16MP13C	XAHC36D	0.95	0.82	1.11
TPLC100C16MP13C	XAHC48F	0.95	0.83	1.08
TPLC100C16MP13C	XAHC60G	0.97	0.89	1.07
TPLC100C16MP13C	XAHD48F	0.95	0.83	1.08
TPLC100C16MP13C	XAHD60G	0.97	0.88	1.07

## FURNACE MULTIPLIERS - 3 TON (Continued)

Furnaces	Coil	T.C.	S.C.	KW
TPLC100C20MP13C	CF/CM/CU36C	1.00	1.04	1.08
TPLC100C20MP13C	CF/CM/CU42C	0.98	1.07	1.06
TPLC100C20MP13C	CF/CM/CU42D	0.98	1.08	1.06
TPLC100C20MP13C	CF/CM/CU48C	1.02	1.01	1.02
TPLC100C20MP13C	CF/CM/CU48D	1.02	1.01	1.02
TPLC100C20MP13C	CF/CM/CU60C	1.02	1.02	1.02
TPLC100C20MP13C	CF/CM/CU60D	1.02	1.02	1.02
TPLC100C20MP13C	XAF/XAUC60G	0.98	0.86	1.04
TPLC100C20MP13C	XAHC48F	0.96	0.85	1.04
TPLC100C20MP13C	XAHC60G	0.97	0.88	1.04
TPLC120C20MP13C	CF/CM/CU36C	1.00	1.04	1.08
TPLC120C20MP13C	CF/CM/CU42C	0.98	1.07	1.06
TPLC120C20MP13C	CF/CM/CU42D	0.98	1.08	1.06
TPLC120C20MP13C	CF/CM/CU48C	1.02	1.01	1.02
TPLC120C20MP13C	CF/CM/CU48D	1.02	1.01	1.02
TPLC120C20MP13C	CF/CM/CU60C	1.02	1.02	1.02
TPLC120C20MP13C	CF/CM/CU60D	1.02	1.02	1.02
TPLC120C20MP13C	XAF/XAUC60G	0.98	0.86	1.04
TPLC120C20MP13C	XAHC48F	0.96	0.85	1.04
TPLC120C20MP13C	XAHC60G	0.97	0.88	1.04
YP9C060B12MP13C	CF/CM/CU36B	0.98	1.00	1.06
YP9C060B12MP13C	CF/CM/CU36C	0.98	1.00	1.06
YP9C060B12MP13C	CF/CM/CU42C	0.95	1.04	1.03
YP9C060B12MP13C	CF/CM/CU48C	1.00	0.98	1.08
YP9C060B12MP13C	CF/CM/CU60C	1.01	1.05	1.09
YP9C060B12MP13C	CF42B	0.95	1.04	1.03
YP9C060B12MP13C	XAF/XAUC48F	0.97	0.92	1.08
YP9C060B12MP13C	XAF/XAUC60G	0.98	0.91	1.10
YP9C060B12MP13C	XAHC48F	0.95	0.91	1.10
YP9C060B12MP13C	XAHC60G	0.97	0.93	1.10
YP9C080B12MP13C	CF/CM/CU36B	0.98	1.00	1.05
YP9C080B12MP13C	CF/CM/CU42C	0.97	1.01	1.04
YP9C080B12MP13C	CF/CM/CU48C	0.99	0.97	1.07
YP9C080B12MP13C	CF/CM/CU60C	1.01	1.07	1.09
YP9C080B12MP13C	CF42B	0.95	1.04	1.02
YP9C080B12MP13C	XAF/XAUB36D	0.94	0.86	1.10
YP9C080B12MP13C	XAF/XAUC48F	0.96	0.85	1.09
YP9C080B12MP13C	XAF/XAUC60G	0.98	0.90	1.08
YP9C080B12MP13C	XAFC36D	0.95	0.86	1.10
YP9C080B12MP13C	XAHC48F	0.95	0.86	1.10
YP9C080B12MP13C	XAHC60G	0.97	0.89	1.09
YP9C080C16MP13C	CF/CM/CU36C	0.97	1.04	1.04
YP9C080C16MP13C	CF/CM/CU42C	0.97	1.01	1.04
YP9C080C16MP13C	CF/CM/CU42D	0.97	1.01	1.04
YP9C080C16MP13C	CF/CM/CU48C	1.01	0.98	1.01
YP9C080C16MP13C	CF/CM/CU48D	1.01	0.98	1.01
YP9C080C16MP13C	CF/CM/CU60C	1.02	1.04	1.10
YP9C080C16MP13C	CF/CM/CU60D	1.02	1.04	1.02
YP9C080C16MP13C	XAF/XAUC48F	0.96	0.84	1.07
YP9C080C16MP13C	XAF/XAUC60G	0.98	0.87	1.08
YP9C080C16MP13C	XAF/XAUD60G	0.98	0.87	1.08
YP9C080C16MP13C	XAFC36D	0.94	0.83	1.09
YP9C080C16MP13C	XAFD48F	0.96	0.84	1.06
YP9C080C16MP13C	XAHC36D	0.96	0.83	1.12
YP9C080C16MP13C	XAHC48F	0.95	0.86	1.08
YP9C080C16MP13C	XAHC60G	0.97	0.87	1.08
YP9C080C16MP13C	XAHD48F	0.95	0.86	1.08
YP9C080C16MP13C	XAHD60G	0.97	0.87	1.09
YP9C100C16MP13C	CF/CM/CU36C	0.99	0.99	1.07



## FURNACE MULTIPLIERS - 3 TON (Continued)

Furnaces	Coil	T.C.	S.C.	KW
YP9C100C16MP13C	CF/CM/CU42C	0.97	1.03	1.04
YP9C100C16MP13C	CF/CM/CU42D	0.96	1.03	1.03
YP9C100C16MP13C	CF/CM/CU48C	1.00	0.97	1.00
YP9C100C16MP13C	CF/CM/CU48D	1.00	0.97	1.00
YP9C100C16MP13C	CF/CM/CU60C	1.03	1.02	1.03
YP9C100C16MP13C	CF/CM/CU60D	1.03	1.01	1.03
YP9C100C16MP13C	XAF/XAUC48F	0.96	0.87	1.04
YP9C100C16MP13C	XAF/XAUC60G	0.98	0.88	1.05
YP9C100C16MP13C	XAF/XAUD60G	0.98	0.89	1.05
YP9C100C16MP13C	XAFC36D	0.96	0.85	1.07
YP9C100C16MP13C	XAFD48F	0.96	0.87	1.03
YP9C100C16MP13C	XAHC36D	0.96	0.85	1.09
YP9C100C16MP13C	XAHC48F	0.96	0.87	1.05
YP9C100C16MP13C	XAHC60G	0.98	0.90	1.05
YP9C100C16MP13C	XAHD48F	0.96	0.87	1.06
YP9C100C16MP13C	XAHD60G	0.97	0.90	1.06
YP9C100C20MP13C	CF/CM/CU36C	0.98	1.06	1.05
YP9C100C20MP13C	CF/CM/CU42C	0.98	1.06	1.05
YP9C100C20MP13C	CF/CM/CU42D	0.98	1.06	1.05
YP9C100C20MP13C	CF/CM/CU48C	0.99	1.04	1.06
YP9C100C20MP13C	CF/CM/CU48D	0.99	1.04	1.06
YP9C100C20MP13C	CF/CM/CU60C	1.03	1.05	1.03
YP9C100C20MP13C	CF/CM/CU60D	1.03	1.05	1.03
YP9C100C20MP13C	XAF/XAUC48F	0.96	0.85	1.05
YP9C100C20MP13C	XAF/XAUC60G	0.98	0.88	1.06
YP9C100C20MP13C	XAF/XAUD60G	0.98	0.88	1.06
YP9C100C20MP13C	XAFC36D	0.95	0.86	1.06
YP9C100C20MP13C	XAFD48F	0.96	0.85	1.05
YP9C100C20MP13C	XAHC48F	0.95	0.85	1.06
YP9C100C20MP13C	XAHC60G	0.97	0.89	1.06
YP9C100C20MP13C	XAHD48F	0.95	0.85	1.06
YP9C100C20MP13C	XAHD60G	0.97	0.88	1.07
YP9C120D20MP13C	CF/CM/CU42D	0.97	1.04	1.05
YP9C120D20MP13C	CF/CM/CU48D	1.01	0.98	1.01
YP9C120D20MP13C	CF/CM/CU60D	1.03	1.03	1.03
YP9C120D20MP13C	XAF/XAUD60G	0.98	0.89	1.04
YP9C120D20MP13C	XAFD48F	0.97	0.88	1.03
YP9C120D20MP13C	XAHD48F	0.96	0.84	1.05
YP9C120D20MP13C	XAHD60G	0.97	0.86	1.06
YPLC060A12MP13C	CF/CM/CU36B	0.97	1.00	1.05
YPLC060A12MP13C	CF42B	0.95	1.04	1.02
YPLC060A12MP13C	XAF/XAUB36D	0.95	0.85	1.10
YPLC080B12MP13C	CF/CM/CU36C	0.98	1.00	1.06
YPLC080B12MP13C	CF/CM/CU42C	0.95	1.04	1.03
YPLC080B12MP13C	CF/CM/CU48C	1.00	0.98	1.08
YPLC080B12MP13C	CF/CM/CU60C	1.01	1.05	1.08
YPLC080B12MP13C	XAF/XAUC48F	0.95	0.88	1.09
YPLC080B12MP13C	XAF/XAUC60G	0.97	0.88	1.13
YPLC080B12MP13C	XAHC48F	0.95	0.90	1.10
YPLC080B12MP13C	XAHC60G	0.96	0.92	1.10
YPLC080C16MP13C	CF/CM/CU36C	0.99	1.02	1.06
YPLC080C16MP13C	CF/CM/CU42C	0.97	1.01	1.04
YPLC080C16MP13C	CF/CM/CU42D	0.97	1.04	1.05

## FURNACE MULTIPLIERS - 3 TON (Continued)

Furnaces	Coil	T.C.	S.C.	KW
YPLC080C16MP13C	CF/CM/CU48C	0.99	0.96	0.99
YPLC080C16MP13C	CF/CM/CU48D	1.01	0.99	1.01
YPLC080C16MP13C	CF/CM/CU60C	1.02	1.02	1.02
YPLC080C16MP13C	CF/CM/CU60D	1.02	1.02	1.02
YPLC080C16MP13C	XAF/XAUC48F	0.96	0.85	1.05
YPLC080C16MP13C	XAF/XAUC60G	0.98	0.88	1.06
YPLC080C16MP13C	XAF/XAUD60G	0.98	0.88	1.06
YPLC080C16MP13C	XAFC36D	0.94	0.82	1.08
YPLC080C16MP13C	XAFD48F	0.96	0.85	1.05
YPLC080C16MP13C	XAHC36D	0.95	0.82	1.11
YPLC080C16MP13C	XAHC48F	0.95	0.83	1.08
YPLC080C16MP13C	XAHC60G	0.97	0.89	1.07
YPLC080C16MP13C	XAHD48F	0.95	0.83	1.08
YPLC080C16MP13C	XAHD60G	0.97	0.88	1.07
YPLC100C16MP13C	CF/CM/CU36C	0.99	1.02	1.06
YPLC100C16MP13C	CF/CM/CU42C	0.97	1.01	1.04
YPLC100C16MP13C	CF/CM/CU42D	0.97	1.04	1.05
YPLC100C16MP13C	CF/CM/CU48C	0.99	0.96	0.99
YPLC100C16MP13C	CF/CM/CU48D	1.01	0.99	1.01
YPLC100C16MP13C	CF/CM/CU60C	1.02	1.02	1.02
YPLC100C16MP13C	CF/CM/CU60D	1.02	1.02	1.02
YPLC100C16MP13C	XAF/XAUC48F	0.96	0.85	1.05
YPLC100C16MP13C	XAF/XAUC60G	0.98	0.88	1.06
YPLC100C16MP13C	XAF/XAUD60G	0.98	0.88	1.06
YPLC100C16MP13C	XAFC36D	0.94	0.82	1.08
YPLC100C16MP13C	XAFD48F	0.96	0.85	1.05
YPLC100C16MP13C	XAHC36D	0.95	0.82	1.11
YPLC100C16MP13C	XAHC48F	0.95	0.83	1.08
YPLC100C16MP13C	XAHC60G	0.97	0.89	1.07
YPLC100C16MP13C	XAHD48F	0.95	0.83	1.08
YPLC100C16MP13C	XAHD60G	0.97	0.88	1.07
YPLC100C20MP13C	CF/CM/CU36C	1.00	1.04	1.08
YPLC100C20MP13C	CF/CM/CU42C	0.98	1.07	1.06
YPLC100C20MP13C	CF/CM/CU42D	0.98	1.08	1.06
YPLC100C20MP13C	CF/CM/CU48C	1.02	1.01	1.02
YPLC100C20MP13C	CF/CM/CU48D	1.02	1.01	1.02
YPLC100C20MP13C	CF/CM/CU60C	1.02	1.02	1.02
YPLC100C20MP13C	CF/CM/CU60D	1.02	1.02	1.02
YPLC100C20MP13C	XAF/XAUC60G	0.98	0.86	1.04
YPLC100C20MP13C	XAHC48F	0.96	0.85	1.04
YPLC100C20MP13C	XAHC60G	0.97	0.88	1.04
YPLC120C20MP13C	CF/CM/CU36C	1.00	1.04	1.08
YPLC120C20MP13C	CF/CM/CU42C	0.98	1.07	1.06
YPLC120C20MP13C	CF/CM/CU42D	0.98	1.08	1.06
YPLC120C20MP13C	CF/CM/CU48C	1.02	1.01	1.02
YPLC120C20MP13C	CF/CM/CU48D	1.02	1.01	1.02
YPLC120C20MP13C	CF/CM/CU60C	1.02	1.02	1.02
YPLC120C20MP13C	CF/CM/CU60D	1.02	1.02	1.02
YPLC120C20MP13C	XAF/XAUC60G	0.98	0.86	1.04
YPLC120C20MP13C	XAHC48F	0.96	0.85	1.04
YPLC120C20MP13C	XAHC60G	0.97	0.88	1.04

HEATING PERFORMANCE DATA										
CONDENSING UNIT MODEL NO		YZT36B21S								
AIR TEMPERATURE ENTERING OUTDOOR UNIT (°F)	AIR TEMPERATURE ENTERING INDOOR COIL (°F)	ID CFM								
		950			1200			1450		
		MBH	COP	KW	MBH	COP	KW	MBH	COP	KW
60	60	42.3	4.49	2.76	43.2	4.68	2.71	44.2	4.88	2.65
	70	41.3	4.00	3.02	42.3	4.20	2.95	43.3	4.40	2.88
	80	40.2	3.59	3.29	41.4	3.79	3.20	42.5	4.00	3.11
47	60	36.3	4.06	2.62	36.9	4.19	2.58	37.5	4.33	2.54
	70	35.4	3.60	2.89	36.1	3.73	2.83	36.8	3.87	2.78
	80	34.6	3.21	3.16	35.3	3.35	3.09	36.0	3.50	3.02
40	60	33.0	3.74	2.58	33.6	3.86	2.56	34.2	3.97	2.53
	70	32.3	3.30	2.87	32.9	3.42	2.82	33.6	3.54	2.78
	80	31.6	2.93	3.15	32.2	3.05	3.09	32.9	3.18	3.03
30	60	27.5	3.13	2.58	26.7	3.10	2.53	26.0	3.06	2.48
	70	27.5	2.86	2.82	27.3	2.88	2.78	27.2	2.92	2.73
	80	27.5	2.63	3.06	27.9	2.71	3.02	28.3	2.79	2.97
17	60	22.6	2.72	2.43	22.7	2.76	2.42	22.9	2.79	2.40
	70	22.4	2.42	2.71	22.7	2.48	2.67	22.9	2.55	2.64
	80	22.2	2.18	2.98	22.6	2.26	2.93	22.9	2.34	2.87
10	60	20.3	2.54	2.34	19.7	2.44	2.36	19.02	2.34	2.38
	70	20.0	2.27	2.57	19.8	2.23	2.60	19.5	2.18	2.62
	80	19.6	2.05	2.80	19.9	2.05	2.84	20.1	2.05	2.87
0	60	14.6	2.05	2.09	14.1	1.97	2.11	13.7	1.89	2.13
	70	14.4	1.83	2.30	14.2	1.79	2.32	14.1	1.76	2.35
	80	14.1	1.65	2.51	14.3	1.65	2.54	14.5	1.65	2.57
-10	60	10.0	1.43	2.04	9.7	1.38	2.06	9.4	1.32	2.08
	70	9.8	1.28	2.24	9.7	1.26	2.27	9.6	1.23	2.29
	80	9.7	1.16	2.45	9.8	1.16	2.48	9.9	1.16	2.51
-20	60	5.4	0.79	2.00	5.2	0.76	2.01	5.1	0.73	2.03
	70	5.3	0.71	2.19	5.3	0.69	2.22	5.2	0.68	2.24
	80	5.2	0.64	2.39	5.3	0.64	2.42	5.3	0.64	2.45

**NOTE:** ALL CAPACITIES INCLUDE INDOOR FAN HEAT. KW VALUES ARE FOR THE SYSTEM (OUTDOOR + INDOOR).

Yellow shaded cells are AHRI High Heating conditions.

Orange shaded cells are AHRI Low Heating conditions.

## Multipliers for determining the performance with other indoor sections.

## COIL MULTIPLIERS - 3 TON

Air Handler	Coil	MBH	COP	KW
AE36BX21	—	0.99	0.94	1.07
AE36CX21	—	1.00	0.99	1.01
AE42CX21	—	0.99	1.00	1.02
AE48CX21	—	0.99	0.99	1.03
AE48DX21	—	1.00	1.05	0.95
AVC36BX21	—	0.99	0.92	1.10
AVC36CX21	—	0.99	0.95	1.06
AVC42CX21	—	0.98	0.97	1.05
AVC48CX21	—	0.99	0.97	1.04
AVC48DX21	—	0.99	0.99	1.03
AVC60CX21	—	0.99	1.04	0.97
ME12BN21	CF42B	0.98	0.88	1.16
ME12BN21	XAF/XAUB36D	0.96	0.94	1.03
ME12BN41	XAF/XAUB36D	0.96	0.94	1.03
ME12CN21	CF/CM36C	1.00	0.96	1.04
ME12CN21	XAF/XAUC48F	0.97	0.99	0.98
ME12CN21	XAF/XAUC60G	0.96	0.98	0.97
ME12CN21	XAFC36D	0.96	0.95	1.01
ME12CN21	XAHC36D	0.96	0.93	1.03
ME12CN21	XAHC48F	0.97	0.97	0.99
ME12CN21	XAHC60G	0.96	0.98	0.97
ME12CN41	XAF/XAUC48F	0.97	1.00	0.97
ME12CN41	XAF/XAUC60G	0.95	0.99	0.97
ME12CN41	XAFC36D	0.96	0.95	1.01
ME12CN41	XAHC36D	0.96	0.93	1.03
ME12CN41	XAHC48F	0.97	0.98	0.99
ME12CN41	XAHC60G	0.95	0.98	0.97
ME14DN21	CF/CM42D	0.99	0.91	1.11
ME14DN21	CF/CM48D	1.10	1.20	0.76
ME14DN21	CF/CM60D	1.00	1.04	0.96
ME14DN21	XAF/XAUD60G	0.95	0.99	0.96
ME14DN21	XAFD48F	0.97	1.00	0.97
ME14DN21	XAHD48F	0.96	0.97	1.00
ME14DN21	XAHD60G	0.95	0.98	0.98
ME14DN41	XAF/XAUD60G	0.95	0.99	0.96
ME14DN41	XAFD48F	0.96	0.99	0.97
ME14DN41	XAHD48F	0.97	0.98	0.99
ME14DN41	XAHD60G	0.95	0.98	0.97
ME16CN21	CF/CM36C	0.99	0.94	1.07
ME16CN21	CF/CM42C	0.98	0.86	1.19
ME16CN21	CF/CM48C	0.98	0.97	1.05
ME16CN21	CF/CM60C	1.01	1.05	0.94
ME16CN21	XAF/XAUC48F	0.97	0.99	0.98
ME16CN21	XAF/XAUC60G	0.96	0.98	0.98

## COIL MULTIPLIERS - 3 TON (Continued)

Air Handler	Coil	MBH	COP	KW
ME16CN21	XAFC36D	0.96	0.94	1.01
ME16CN21	XAHC36D	0.96	0.93	1.04
ME16CN21	XAHC48F	0.97	0.97	1.00
ME16CN21	XAHC60G	0.96	0.97	0.98
ME16CN41	XAF/XAUC48F	0.96	0.99	0.97
ME16CN41	XAF/XAUC60G	0.95	0.98	0.97
ME16CN41	XAFC36D	0.96	0.95	1.00
ME16CN41	XAHC36D	0.96	0.93	1.03
ME16CN41	XAHC48F	0.96	0.97	0.99
ME16CN41	XAHC60G	0.95	0.99	0.96
MVC12BN21	CF/CM36B	0.99	0.92	1.09
MVC12BN21	CF42B	1.00	0.93	1.08
MVC12BN21	XAF/XAUB36D	0.96	0.94	1.02
MVC12CN21	CF/CM36C	1.00	0.97	1.04
MVC12CN21	CF/CM42C	1.00	0.93	1.07
MVC12CN21	CF/CM48C	0.99	1.01	1.00
MVC12CN21	CF/CM60C	0.97	0.91	1.13
MVC12CN21	XAF/XAUC48F	0.96	1.00	0.96
MVC12CN21	XAF/XAUC60G	0.95	1.00	0.96
MVC12CN21	XAFC36D	0.95	0.96	0.99
MVC12CN21	XAHC36D	0.96	0.94	1.03
MVC12CN21	XAHC48F	0.96	0.98	0.98
MVC12CN21	XAHC60G	0.95	0.99	0.96
MVC14DN21	CF/CM42D	0.99	0.89	1.14
MVC14DN21	CF/CM48D	0.99	0.98	1.03
MVC14DN21	CF/CM60D	1.01	1.10	0.90
MVC14DN21	XAF/XAUD60G	0.95	1.00	0.95
MVC14DN21	XAFD48F	0.95	1.01	0.94
MVC14DN21	XAHD48F	0.95	0.99	0.96
MVC14DN21	XAHD60G	0.95	0.99	0.96
MVC16CN21	CF/CM36C	0.99	0.94	1.07
MVC16CN21	CF/CM42C	0.99	0.97	1.04
MVC16CN21	CF/CM48C	1.00	1.00	1.00
MVC16CN21	CF/CM60C	0.99	1.04	0.97
MVC16CN21	XAF/XAUC48F	0.96	1.01	0.96
MVC16CN21	XAF/XAUC60G	0.95	1.00	0.96
MVC16CN21	XAFC36D	0.95	0.96	0.99
MVC16CN21	XAHC36D	0.96	0.94	1.01
MVC16CN21	XAHC48F	0.96	0.98	0.97
MVC16CN21	XAHC60G	0.95	0.99	0.96
MVC20DN21	CF/CM42D	0.98	0.85	1.19
MVC20DN21	CF/CM48D	0.99	1.01	0.99
MVC20DN21	CF/CM60D	0.97	0.92	1.12

**FURNACE MULTIPLIERS - 3 TON**

Furnaces	Coil	T.C.	S.C.	KW
TL8E060A12UH11	XAF/XAUB36D	0.98	0.91	1.07
TL8E080C16UH11	XAF/XAUC48F	0.98	0.98	1.00
TL8E080C16UH11	XAF/XAUC60G	0.96	0.96	0.99
TL8E080C16UH11	XAF/XAUD60G	0.96	0.97	0.99
TL8E080C16UH11	XAFC36D	0.97	0.93	1.04
TL8E080C16UH11	XAFD48F	0.98	0.98	1.00
TL8E080C16UH11	XAHC36D	0.97	0.91	1.07
TL8E080C16UH11	XAHC48F	0.97	0.96	1.02
TL8E080C16UH11	XAHD48F	0.97	0.96	1.02
TL8E080C16UH11	XAHD60G	0.97	0.96	1.00
TL9E060B12UH11	XAF/XAUC48F	0.99	0.96	1.03
TL9E060B12UH11	XAF/XAUC60G	0.98	0.93	1.05
TL9E060B12UH11	XAFC36D	0.98	0.92	1.06
TL9E060B12UH11	XAHC48F	0.99	0.95	1.04
TL9E060B12UH11	XAHC60G	0.98	0.93	1.05
TL9E080C16UH11	XAF/XAUC48F	0.98	0.97	1.00
TL9E080C16UH11	XAF/XAUC60G	0.97	0.96	1.01
TL9E080C16UH11	XAF/XAUD60G	0.97	0.96	1.01
TL9E080C16UH11	XAFC36D	0.97	0.93	1.04
TL9E080C16UH11	XAFD48F	0.98	0.97	1.00
TL9E080C16UH11	XAHC48F	0.98	0.94	1.04
TL9E080C16UH11	XAHC60G	0.96	0.96	1.01
TL9E080C16UH11	XAHD48F	0.98	0.94	1.04
TL9E080C16UH11	XAHD60G	0.97	0.96	1.01
TM8E040A12MP11	XAF/XAUB36D	0.97	0.92	1.05
TM8E060A12MP11	XAF/XAUB36D	0.97	0.92	1.06
TM8E080B12MP11	XAF/XAUB36D	0.97	0.92	1.06
TM8E080B12MP11	XAF/XAUC48F	0.98	0.96	1.02
TM8E080B12MP11	XAF/XAUC60G	0.97	0.96	1.01
TM8E080B12MP11	XAFC36D	0.97	0.92	1.06
TM8E080B12MP11	XAHC48F	0.98	0.94	1.04
TM8E080B12MP11	XAHC60G	0.97	0.95	1.03
TM8E080C16MP11	XAF/XAUC48F	0.97	0.98	0.99
TM8E080C16MP11	XAF/XAUC60G	0.96	0.97	0.99
TM8E080C16MP11	XAF/XAUD60G	0.96	0.97	0.99
TM8E080C16MP11	XAFC36D	0.96	0.93	1.03
TM8E080C16MP11	XAFD48F	0.97	0.98	0.99
TM8E080C16MP11	XAHC36D	0.96	0.92	1.04
TM8E080C16MP11	XAHC48F	0.97	0.96	1.01
TM8E080C16MP11	XAHC60G	0.96	0.97	0.99
TM8E080C16MP11	XAHD48F	0.97	0.96	1.02
TM8E080C16MP11	XAHD60G	0.96	0.96	1.00
TM8E100B12MP11	XAF/XAUB36D	0.97	0.92	1.05
TM8E100B12MP11	XAF/XAUC48F	0.98	0.96	1.02
TM8E100B12MP11	XAF/XAUC60G	0.97	0.95	1.01
TM8E100B12MP11	XAFC36D	0.97	0.92	1.05
TM8E100B12MP11	XAHC48F	0.98	0.95	1.02
TM8E100B12MP11	XAHC60G	0.97	0.95	1.01
TM8E100C16MP11	XAF/XAUC48F	0.98	0.97	1.00
TM8E100C16MP11	XAF/XAUC60G	0.96	0.97	0.99
TM8E100C16MP11	XAF/XAUD60G	0.96	0.97	0.99
TM8E100C16MP11	XAFC36D	0.97	0.94	1.02
TM8E100C16MP11	XAFD48F	0.97	0.98	0.99
TM8E100C16MP11	XAHC36D	0.97	0.92	1.05
TM8E100C16MP11	XAHC48F	0.97	0.96	1.01
TM8E100C16MP11	XAHC60G	0.96	0.97	0.99

**FURNACE MULTIPLIERS - 3 TON (Continued)**

Furnaces	Coil	T.C.	S.C.	KW
TM8E100C16MP11	XAHD48F	0.97	0.96	1.01
TM8E100C16MP11	XAHD60G	0.96	0.96	1.00
TM8E120C16MP11	XAF/XAUC48F	0.98	0.98	1.00
TM8E120C16MP11	XAF/XAUC60G	0.96	0.97	0.99
TM8E120C16MP11	XAF/XAUD60G	0.96	0.97	0.99
TM8E120C16MP11	XAFC36D	0.97	0.94	1.03
TM8E120C16MP11	XAFD48F	0.97	0.98	0.99
TM8E120C16MP11	XAHC36D	0.97	0.92	1.05
TM8E120C16MP11	XAHC48F	0.97	0.96	1.01
TM8E120C16MP11	XAHC60G	0.96	0.97	0.99
TM8E120C16MP11	XAHD48F	0.97	0.96	1.01
TM8E120C16MP11	XAHD60G	0.96	0.97	1.00
TM8V060A12MP12C	CF/CM/CU36B	0.99	0.93	1.09
TM8V060A12MP12C	CF42B	0.99	0.91	1.10
TM8V060A12MP12C	XAF/XAUB36D	0.97	0.91	1.06
TM8V080B12MP12C	CF/CM/CU36C	0.99	0.93	1.09
TM8V080B12MP12C	CF/CM/CU42C	0.99	0.90	1.13
TM8V080B12MP12C	CF/CM/CU48C	0.98	0.94	1.09
TM8V080B12MP12C	CF/CM/CU60C	0.97	0.92	1.12
TM8V080B12MP12C	XAF/XAUC48F	0.99	0.95	1.03
TM8V080B12MP12C	XAF/XAUC60G	0.97	0.93	1.05
TM8V080B12MP12C	XAHC48F	0.99	0.94	1.05
TM8V080B12MP12C	XAHC60G	0.97	0.93	1.04
TM8V080C16MP12C	CF/CM/CU36C	1.01	1.01	0.98
TM8V080C16MP12C	CF/CM/CU42C	0.99	0.89	1.14
TM8V080C16MP12C	CF/CM/CU42D	0.98	0.88	1.16
TM8V080C16MP12C	CF/CM/CU48C	0.98	0.95	1.08
TM8V080C16MP12C	CF/CM/CU48D	0.98	0.96	1.06
TM8V080C16MP12C	CF/CM/CU60C	0.99	1.03	0.98
TM8V080C16MP12C	CF/CM/CU60D	0.99	1.03	0.97
TM8V080C16MP12C	XAF/XAUC48F	0.98	0.97	1.00
TM8V080C16MP12C	XAF/XAUC60G	0.96	0.97	0.99
TM8V080C16MP12C	XAF/XAUD60G	0.96	0.97	0.99
TM8V080C16MP12C	XAFC36D	0.96	0.92	1.05
TM8V080C16MP12C	XAFD48F	0.98	0.98	1.00
TM8V080C16MP12C	XAHC36D	0.97	0.91	1.07
TM8V080C16MP12C	XAHC48F	0.97	0.95	1.02
TM8V080C16MP12C	XAHC60G	0.96	0.97	0.99
TM8V080C16MP12C	XAHD48F	0.97	0.95	1.02
TM8V080C16MP12C	XAHD60G	0.96	0.96	1.00
TM8V100C16MP12C	CF/CM/CU36C	1.01	1.01	0.98
TM8V100C16MP12C	CF/CM/CU42C	0.99	0.89	1.14
TM8V100C16MP12C	CF/CM/CU42D	0.98	0.88	1.16
TM8V100C16MP12C	CF/CM/CU48C	0.98	0.95	1.08
TM8V100C16MP12C	CF/CM/CU48D	0.98	0.96	1.06
TM8V100C16MP12C	CF/CM/CU60C	0.99	1.03	0.98
TM8V100C16MP12C	CF/CM/CU60D	0.99	1.03	0.97
TM8V100C16MP12C	XAF/XAUC48F	0.98	0.97	1.00
TM8V100C16MP12C	XAF/XAUC60G	0.96	0.97	0.99
TM8V100C16MP12C	XAF/XAUD60G	0.96	0.97	0.99
TM8V100C16MP12C	XAFC36D	0.96	0.92	1.05
TM8V100C16MP12C	XAFD48F	0.98	0.98	1.00
TM8V100C16MP12C	XAHC36D	0.97	0.91	1.07
TM8V100C16MP12C	XAHC48F	0.97	0.95	1.02
TM8V100C16MP12C	XAHC60G	0.96	0.97	0.99
TM8V100C16MP12C	XAHD48F	0.97	0.95	1.02

## FURNACE MULTIPLIERS - 3 TON (Continued)

Furnaces	Coil	T.C.	S.C.	KW
TM8V100C16MP12C	XAHD60G	0.96	0.96	1.00
TM8V100C20MP12C	CF/CM/CU36C	1.00	1.04	0.96
TM8V100C20MP12C	CF/CM/CU42C	0.99	0.96	1.06
TM8V100C20MP12C	CF/CM/CU42D	0.99	0.96	1.05
TM8V100C20MP12C	CF/CM/CU48C	0.98	0.98	1.04
TM8V100C20MP12C	CF/CM/CU48D	0.98	0.98	1.04
TM8V100C20MP12C	CF/CM/CU60C	1.00	1.04	0.96
TM8V100C20MP12C	CF/CM/CU60D	1.00	1.04	0.96
TM8V100C20MP12C	XAF/XAUC60G	0.95	0.98	0.98
TM8V100C20MP12C	XAHC48F	0.96	0.97	1.00
TM8V100C20MP12C	XAHC60G	0.96	0.98	0.97
TM8V120C20MP12C	CF/CM/CU36C	1.00	1.04	0.96
TM8V120C20MP12C	CF/CM/CU42C	0.99	0.96	1.06
TM8V120C20MP12C	CF/CM/CU42D	0.99	0.96	1.05
TM8V120C20MP12C	CF/CM/CU48C	0.98	0.98	1.04
TM8V120C20MP12C	CF/CM/CU48D	0.98	0.98	1.04
TM8V120C20MP12C	CF/CM/CU60C	1.00	1.04	0.96
TM8V120C20MP12C	CF/CM/CU60D	1.00	1.04	0.96
TM8V120C20MP12C	XAF/XAUC60G	0.95	0.98	0.98
TM8V120C20MP12C	XAHC48F	0.96	0.97	1.00
TM8V120C20MP12C	XAHC60G	0.96	0.98	0.97
TM8X060A12MP11	CF/CM/CU36B	0.98	0.91	1.12
TM8X060A12MP11	CF/CM/36A	0.98	0.91	1.12
TM8X060A12MP11	CF42B	0.97	0.82	1.26
TM8X080B12MP11	CF/CM/CU36B	0.98	0.91	1.12
TM8X080B12MP11	CF/CM/CU36C	0.98	0.96	1.06
TM8X080B12MP11	CF/CM/CU42C	0.97	0.88	1.17
TM8X080B12MP11	CF/CM/CU48C	0.97	0.93	1.11
TM8X080B12MP11	CF/CM/CU60C	0.97	0.95	1.09
TM8X080B12MP11	CF42B	0.98	0.93	1.10
TM8X080C16MP11	CF/CM/CU36C	1.00	1.03	0.97
TM8X080C16MP11	CF/CM/CU42C	0.99	0.95	1.06
TM8X080C16MP11	CF/CM/CU42D	0.98	0.84	1.22
TM8X080C16MP11	CF/CM/CU48C	0.98	0.97	1.05
TM8X080C16MP11	CF/CM/CU48D	0.98	0.97	1.05
TM8X080C16MP11	CF/CM/CU60C	0.99	1.03	0.98
TM8X080C16MP11	CF/CM/CU60D	0.97	0.90	1.14
TM8X100C16MP11	CF/CM/CU36C	1.00	1.03	0.97
TM8X100C16MP11	CF/CM/CU42C	0.99	0.95	1.06
TM8X100C16MP11	CF/CM/CU42D	0.98	0.84	1.22
TM8X100C16MP11	CF/CM/CU48C	0.98	0.97	1.05
TM8X100C16MP11	CF/CM/CU48D	0.98	0.97	1.05
TM8X100C16MP11	CF/CM/CU60C	0.99	1.03	0.98
TM8X100C16MP11	CF/CM/CU60D	0.97	0.90	1.14
TM8X100C20MP11	CF/CM/CU36C	0.99	0.94	1.08
TM8X100C20MP11	CF/CM/CU42C	0.99	0.98	1.04
TM8X100C20MP11	CF/CM/CU42D	1.00	0.99	1.02
TM8X100C20MP11	CF/CM/CU48C	0.98	0.96	1.07
TM8X100C20MP11	CF/CM/CU48D	0.98	0.98	1.04
TM8X100C20MP11	CF/CM/CU60C	1.00	1.04	0.96
TM8X100C20MP11	CF/CM/CU60D	1.01	1.07	0.93
TM8X120C20MP11	CF/CM/CU36C	0.99	0.94	1.08
TM8X120C20MP11	CF/CM/CU42C	0.99	0.98	1.04
TM8X120C20MP11	CF/CM/CU42D	1.00	0.99	1.02
TM8X120C20MP11	CF/CM/CU48C	0.98	0.96	1.07
TM8X120C20MP11	CF/CM/CU48D	0.98	0.98	1.04

## FURNACE MULTIPLIERS - 3 TON (Continued)

Furnaces	Coil	T.C.	S.C.	KW
TM8X120C20MP11	CF/CM/CU60C	1.00	1.04	0.96
TM8X120C20MP11	CF/CM/CU60D	1.01	1.07	0.93
TM8Y060A12MP11	CF/CM/CU36B	0.98	0.91	1.12
TM8Y060A12MP11	CF/CM/36A	0.98	0.91	1.12
TM8Y060A12MP11	CF42B	0.97	0.82	1.26
TM8Y060A12MP11	XAF/XAUB36D	0.98	0.92	1.06
TM8Y080B12MP11	CF/CM/CU36B	0.98	0.91	1.12
TM8Y080B12MP11	CF/CM/CU36C	0.98	0.96	1.06
TM8Y080B12MP11	CF/CM/CU42C	0.97	0.88	1.17
TM8Y080B12MP11	CF/CM/CU48C	0.97	0.93	1.11
TM8Y080B12MP11	CF/CM/CU60C	0.97	0.95	1.09
TM8Y080B12MP11	CF42B	0.98	0.93	1.10
TM8Y080B12MP11	XAF/XAUB36D	0.97	0.92	1.05
TM8Y080B12MP11	XAF/XAUC48F	0.98	0.96	1.02
TM8Y080B12MP11	XAF/XAUC60G	0.97	0.95	1.02
TM8Y080B12MP11	XAFC36D	0.97	0.92	1.05
TM8Y080B12MP11	XAHC48F	0.98	0.95	1.03
TM8Y080B12MP11	XAHC60G	0.97	0.95	1.02
TM8Y080C16MP11	CF/CM/CU36C	1.00	1.03	0.97
TM8Y080C16MP11	CF/CM/CU42C	0.99	0.95	1.06
TM8Y080C16MP11	CF/CM/CU42D	0.98	0.84	1.22
TM8Y080C16MP11	CF/CM/CU48C	0.98	0.97	1.05
TM8Y080C16MP11	CF/CM/CU48D	0.98	0.97	1.05
TM8Y080C16MP11	CF/CM/CU60C	0.99	1.03	0.98
TM8Y080C16MP11	CF/CM/CU60D	0.97	0.90	1.14
TM8Y080C16MP11	XAF/XAUC48F	0.97	0.99	0.99
TM8Y080C16MP11	XAF/XAUC60G	0.96	0.96	1.00
TM8Y080C16MP11	XAF/XAUD60G	0.96	0.98	0.98
TM8Y080C16MP11	XAFC36D	0.96	0.93	1.03
TM8Y080C16MP11	XAFD48F	0.97	0.99	0.99
TM8Y080C16MP11	XAHC36D	0.97	0.91	1.06
TM8Y080C16MP11	XAHC48F	0.97	0.95	1.01
TM8Y080C16MP11	XAHC60G	0.96	0.97	0.98
TM8Y080C16MP11	XAHD48F	0.97	0.97	1.01
TM8Y080C16MP11	XAHD60G	0.96	0.97	1.00
TM8Y100C16MP11	CF/CM/CU36C	1.00	1.03	0.97
TM8Y100C16MP11	CF/CM/CU42C	0.99	0.95	1.06
TM8Y100C16MP11	CF/CM/CU42D	0.98	0.84	1.22
TM8Y100C16MP11	CF/CM/CU48C	0.98	0.97	1.05
TM8Y100C16MP11	CF/CM/CU48D	0.98	0.97	1.05
TM8Y100C16MP11	CF/CM/CU60C	0.99	1.03	0.98
TM8Y100C16MP11	CF/CM/CU60D	0.97	0.90	1.14
TM8Y100C16MP11	XAF/XAUC48F	0.97	0.99	0.99
TM8Y100C16MP11	XAF/XAUC60G	0.96	0.96	1.00
TM8Y100C16MP11	XAF/XAUD60G	0.96	0.98	0.98
TM8Y100C16MP11	XAFC36D	0.96	0.93	1.03
TM8Y100C16MP11	XAFD48F	0.97	0.99	0.99
TM8Y100C16MP11	XAHC48F	0.97	0.95	1.01
TM8Y100C16MP11	XAHC60G	0.96	0.97	0.98
TM8Y100C16MP11	XAHD48F	0.97	0.97	1.01
TM8Y100C16MP11	XAHD60G	0.96	0.97	1.00
TM8Y100C20MP11	CF/CM/CU36C	0.99	0.94	1.08
TM8Y100C20MP11	CF/CM/CU42C	0.99	0.98	1.04
TM8Y100C20MP11	CF/CM/CU42D	1.00	0.99	1.02
TM8Y100C20MP11	CF/CM/CU48C	0.98	0.96	1.07
TM8Y100C20MP11	CF/CM/CU48D	0.98	0.98	1.04

**FURNACE MULTIPLIERS - 3 TON (Continued)**

Furnaces	Coil	T.C.	S.C.	KW
TM8Y100C20MP11	CF/CM/CU60C	1.00	1.04	0.96
TM8Y100C20MP11	CF/CM/CU60D	1.01	1.07	0.93
TM8Y100C20MP11	XAF/XAUC48F	0.97	0.99	0.98
TM8Y100C20MP11	XAFC36D	0.96	0.94	1.02
TM8Y100C20MP11	XAHD48F	0.97	0.97	1.00
TM8Y100C20MP11	XAHD60G	0.96	0.97	0.99
TM8Y120C20MP11	CF/CM/CU36C	0.99	0.94	1.08
TM8Y120C20MP11	CF/CM/CU42C	0.99	0.98	1.04
TM8Y120C20MP11	CF/CM/CU42D	1.00	0.99	1.02
TM8Y120C20MP11	CF/CM/CU48C	0.98	0.96	1.07
TM8Y120C20MP11	CF/CM/CU48D	0.98	0.98	1.04
TM8Y120C20MP11	CF/CM/CU60C	1.00	1.04	0.96
TM8Y120C20MP11	CF/CM/CU60D	1.01	1.07	0.93
TM8Y120C20MP11	XAF/XAUC48F	0.97	0.99	0.98
TM8Y120C20MP11	XAFC36D	0.96	0.94	1.02
TM8Y120C20MP11	XAHD48F	0.97	0.97	1.00
TM8Y120C20MP11	XAHD60G	0.96	0.97	0.99
TM9E060A10MP12	XAF/XAUB36D	0.98	0.91	1.08
TM9E060B12MP12	XAF/XAUB36D	0.98	0.92	1.07
TM9E060B12MP12	XAF/XAUC48F	0.99	0.96	1.03
TM9E060B12MP12	XAF/XAUC60G	0.98	0.93	1.05
TM9E060B12MP12	XAFC36D	0.98	0.92	1.07
TM9E060B12MP12	XAHC48F	0.98	0.94	1.05
TM9E060B12MP12	XAHC60G	0.98	0.93	1.05
TM9E080B12MP11	CF/CM/CU36B	0.99	0.93	1.09
TM9E080B12MP11	CF/CM/CU36C	0.99	0.94	1.08
TM9E080B12MP11	CF/CM/CU42C	0.99	0.91	1.12
TM9E080B12MP11	CF/CM/CU48C	0.98	0.95	1.07
TM9E080B12MP11	CF/CM/CU60C	0.99	1.00	1.00
TM9E080B12MP11	CF42B	0.99	0.91	1.10
TM9E080B12MP12	XAF/XAUB36D	0.97	0.92	1.06
TM9E080B12MP12	XAF/XAUC48F	0.98	0.95	1.03
TM9E080B12MP12	XAF/XAUC60G	0.97	0.94	1.04
TM9E080B12MP12	XAFC36D	0.97	0.92	1.06
TM9E080B12MP12	XAHC48F	0.98	0.94	1.04
TM9E080B12MP12	XAHC60G	0.97	0.95	1.03
TM9E080C16MP12	XAF/XAUC48F	0.98	0.97	1.01
TM9E080C16MP12	XAF/XAUC60G	0.97	0.96	1.01
TM9E080C16MP12	XAF/XAUD60G	0.97	0.96	1.01
TM9E080C16MP12	XAFC36D	0.97	0.93	1.04
TM9E080C16MP12	XAFD48F	0.98	0.97	1.01
TM9E080C16MP12	XAHC48F	0.98	0.95	1.03
TM9E080C16MP12	XAHC60G	0.96	0.96	1.01
TM9E080C16MP12	XAHD48F	0.98	0.95	1.03
TM9E080C16MP12	XAHD60G	0.97	0.95	1.01
TM9E100C16MP11	CF/CM/CU36C	0.98	0.89	1.14
TM9E100C16MP11	CF/CM/CU42C	0.99	0.96	1.05
TM9E100C16MP11	CF/CM/CU48C	0.98	0.96	1.07
TM9E100C16MP11	CF/CM/CU48D	0.98	1.00	1.01
TM9E100C16MP11	CF/CM/CU60C	0.98	1.00	1.01
TM9E100C16MP11	CF/CM/CU60D	0.99	1.05	0.96
TM9E100C16MP12	XAF/XAUC48F	0.98	0.97	1.00
TM9E100C16MP12	XAF/XAUC60G	0.96	0.96	1.00
TM9E100C16MP12	XAF/XAUD60G	0.96	0.96	1.00
TM9E100C16MP12	XAFC36D	0.97	0.93	1.04
TM9E100C16MP12	XAFD48F	0.98	0.97	1.00

**FURNACE MULTIPLIERS - 3 TON (Continued)**

Furnaces	Coil	T.C.	S.C.	KW
TM9E100C16MP12	XAHC48F	0.97	0.95	1.02
TM9E100C16MP12	XAHC60G	0.96	0.96	1.01
TM9E100C16MP12	XAHD48F	0.98	0.95	1.03
TM9E100C16MP12	XAHD60G	0.97	0.96	1.01
TM9E120D20MP11	CF/CM/CU42D	0.99	0.98	1.03
TM9E120D20MP11	CF/CM/CU48D	0.98	0.97	1.05
TM9E120D20MP11	CF/CM/CU60D	1.00	1.07	0.94
TM9V060B12MP12C	CF/CM/CU36B	0.98	0.92	1.10
TM9V060B12MP12C	CF/CM/CU36C	0.99	0.93	1.09
TM9V060B12MP12C	CF/CM/CU42C	0.99	0.90	1.13
TM9V060B12MP12C	CF/CM/CU48C	0.98	0.94	1.09
TM9V060B12MP12C	CF/CM/CU60C	0.98	0.98	1.04
TM9V060B12MP12C	CF42B	0.98	0.89	1.14
TM9V060B12MP12C	XAF/XAUC48F	0.99	0.97	1.02
TM9V060B12MP12C	XAF/XAUC60G	0.98	0.95	1.03
TM9V060B12MP12C	XAHC48F	0.98	0.94	1.04
TM9V060B12MP12C	XAHC60G	0.97	0.95	1.03
TM9V080B12MP12C	CF/CM/CU36B	0.99	0.93	1.09
TM9V080B12MP12C	CF/CM/CU42C	0.98	0.88	1.16
TM9V080B12MP12C	CF/CM/CU48C	0.98	0.94	1.09
TM9V080B12MP12C	CF/CM/CU60C	0.99	1.02	0.99
TM9V080B12MP12C	CF42B	0.99	0.91	1.10
TM9V080B12MP12C	XAF/XAUB36D	0.97	0.91	1.07
TM9V080B12MP12C	XAF/XAUC48F	0.98	0.96	1.03
TM9V080B12MP12C	XAF/XAUC60G	0.97	0.96	1.01
TM9V080B12MP12C	XAFC36D	0.97	0.91	1.06
TM9V080B12MP12C	XAHC48F	0.98	0.94	1.04
TM9V080B12MP12C	XAHC60G	0.97	0.95	1.02
TM9V080C16MP12C	CF/CM/CU36C	0.99	0.92	1.10
TM9V080C16MP12C	CF/CM/CU42C	0.99	0.88	1.15
TM9V080C16MP12C	CF/CM/CU42D	0.99	0.88	1.15
TM9V080C16MP12C	CF/CM/CU48C	0.98	0.96	1.06
TM9V080C16MP12C	CF/CM/CU48D	0.98	0.96	1.06
TM9V080C16MP12C	CF/CM/CU60C	0.99	1.01	1.00
TM9V080C16MP12C	CF/CM/CU60D	0.99	1.02	0.99
TM9V080C16MP12C	XAF/XAUC48F	0.98	0.97	1.01
TM9V080C16MP12C	XAF/XAUC60G	0.96	0.95	1.01
TM9V080C16MP12C	XAF/XAUD60G	0.96	0.96	1.00
TM9V080C16MP12C	XAFC36D	0.97	0.91	1.06
TM9V080C16MP12C	XAFD48F	0.97	0.97	1.00
TM9V080C16MP12C	XAHC36D	0.97	0.90	1.08
TM9V080C16MP12C	XAHC48F	0.97	0.95	1.02
TM9V080C16MP12C	XAHC60G	0.96	0.96	1.00
TM9V080C16MP12C	XAHD48F	0.97	0.95	1.02
TM9V080C16MP12C	XAHD60G	0.97	0.95	1.01
TM9V100C16MP12C	CF/CM/CU36C	0.99	0.95	1.06
TM9V100C16MP12C	CF/CM/CU42C	0.99	0.92	1.09
TM9V100C16MP12C	CF/CM/CU42D	1.00	0.93	1.08
TM9V100C16MP12C	CF/CM/CU48C	0.99	0.96	1.05
TM9V100C16MP12C	CF/CM/CU48D	0.99	0.97	1.05
TM9V100C16MP12C	CF/CM/CU60C	0.97	0.90	1.15
TM9V100C16MP12C	CF/CM/CU60D	0.97	0.90	1.14
TM9V100C16MP12C	XAF/XAUC48F	0.97	0.99	0.99
TM9V100C16MP12C	XAF/XAUC60G	0.96	0.97	0.98
TM9V100C16MP12C	XAF/XAUD60G	0.96	0.98	0.98
TM9V100C16MP12C	XAFC36D	0.96	0.94	1.03

## FURNACE MULTIPLIERS - 3 TON (Continued)

Furnaces	Coil	T.C.	S.C.	KW
TM9V100C16MP12C	XAFD48F	0.97	0.99	0.99
TM9V100C16MP12C	XAHC36D	0.97	0.92	1.05
TM9V100C16MP12C	XAHC48F	0.97	0.96	1.01
TM9V100C16MP12C	XAHC60G	0.96	0.97	0.98
TM9V100C16MP12C	XAHD48F	0.97	0.96	1.01
TM9V100C16MP12C	XAHD60G	0.96	0.97	1.00
TM9V100C20MP12C	CF/CM/CU36C	0.99	0.93	1.09
TM9V100C20MP12C	CF/CM/CU42C	0.98	0.85	1.21
TM9V100C20MP12C	CF/CM/CU42D	0.98	0.85	1.20
TM9V100C20MP12C	CF/CM/CU48C	0.98	0.96	1.06
TM9V100C20MP12C	CF/CM/CU48D	0.98	0.96	1.06
TM9V100C20MP12C	CF/CM/CU60C	0.99	1.01	1.00
TM9V100C20MP12C	CF/CM/CU60D	0.99	1.01	1.00
TM9V100C20MP12C	XAF/XAUC48F	0.98	0.98	1.00
TM9V100C20MP12C	XAF/XAUC60G	0.96	0.97	0.99
TM9V100C20MP12C	XAF/XAUD60G	0.96	0.97	0.99
TM9V100C20MP12C	XAFC36D	0.96	0.93	1.03
TM9V100C20MP12C	XAFD48F	0.97	0.98	0.99
TM9V100C20MP12C	XAHC48F	0.97	0.96	1.01
TM9V100C20MP12C	XAHC60G	0.96	0.97	0.99
TM9V100C20MP12C	XAHD48F	0.97	0.96	1.01
TM9V100C20MP12C	XAHD60G	0.96	0.96	1.00
TM9V120D20MP12C	CF/CM/CU42D	0.98	0.88	1.15
TM9V120D20MP12C	CF/CM/CU48D	0.99	0.97	1.04
TM9V120D20MP12C	CF/CM/CU60D	0.98	0.98	1.05
TM9V120D20MP12C	XAF/XAUD60G	0.95	0.98	0.97
TM9V120D20MP12C	XAFD48F	0.97	0.99	0.98
TM9V120D20MP12C	XAHD48F	0.96	0.97	0.99
TM9V120D20MP12C	XAHD60G	0.96	0.98	0.98
TM9Y060B12MP11	XAF/XAUB36D	0.98	0.91	1.07
TM9Y060B12MP11	XAF/XAUC48F	0.99	0.95	1.03
TM9Y060B12MP11	XAF/XAUC60G	0.97	0.94	1.03
TM9Y060B12MP11	XAFC36D	0.98	0.91	1.07
TM9Y060B12MP11	XAHC48F	0.99	0.94	1.05
TM9Y060B12MP11	XAHC60G	0.97	0.94	1.04
TM9Y080B12MP11	CF/CM/CU36B	0.99	0.93	1.09
TM9Y080B12MP11	CF/CM/CU36C	0.99	0.94	1.08
TM9Y080B12MP11	CF/CM/CU42C	0.99	0.91	1.12
TM9Y080B12MP11	CF/CM/CU48C	0.98	0.95	1.07
TM9Y080B12MP11	CF/CM/CU60C	0.99	1.00	1.00
TM9Y080B12MP11	CF42B	0.99	0.91	1.10
TM9Y080B12MP11	XAF/XAUB36D	0.97	0.91	1.06
TM9Y080B12MP11	XAF/XAUC48F	0.98	0.96	1.02
TM9Y080B12MP11	XAF/XAUC60G	0.97	0.95	1.02
TM9Y080B12MP11	XAFC36D	0.97	0.92	1.05
TM9Y080B12MP11	XAHC48F	0.98	0.95	1.03
TM9Y080B12MP11	XAHC60G	0.97	0.94	1.03
TM9Y080C16MP11	XAF/XAUC48F	0.98	0.97	1.01
TM9Y080C16MP11	XAF/XAUC60G	0.97	0.96	1.01
TM9Y080C16MP11	XAF/XAUD60G	0.97	0.96	1.01
TM9Y080C16MP11	XAFC36D	0.97	0.93	1.04
TM9Y080C16MP11	XAFD48F	0.98	0.97	1.01
TM9Y080C16MP11	XAHC48F	0.98	0.95	1.03
TM9Y080C16MP11	XAHC60G	0.96	0.95	1.01
TM9Y080C16MP11	XAHD48F	0.98	0.95	1.03
TM9Y080C16MP11	XAHD60G	0.97	0.95	1.01

## FURNACE MULTIPLIERS - 3 TON (Continued)

Furnaces	Coil	T.C.	S.C.	KW
TM9Y100C16MP11	CF/CM/CU36C	0.98	0.89	1.14
TM9Y100C16MP11	CF/CM/CU42C	0.99	0.96	1.05
TM9Y100C16MP11	CF/CM/CU48C	0.98	0.96	1.07
TM9Y100C16MP11	CF/CM/CU48D	0.98	1.00	1.01
TM9Y100C16MP11	CF/CM/CU60C	0.98	1.00	1.01
TM9Y100C16MP11	CF/CM/CU60D	0.99	1.05	0.96
TM9Y100C16MP11	XAF/XAUC48F	0.98	0.97	1.01
TM9Y100C16MP11	XAF/XAUC60G	0.97	0.96	1.01
TM9Y100C16MP11	XAF/XAUD60G	0.96	0.96	1.01
TM9Y100C16MP11	XAFC36D	0.97	0.93	1.04
TM9Y100C16MP11	XAFD48F	0.98	0.97	1.00
TM9Y100C16MP11	XAHC48F	0.97	0.96	1.02
TM9Y100C16MP11	XAHC60G	0.97	0.95	1.02
TM9Y100C16MP11	XAHD48F	0.98	0.95	1.03
TM9Y100C16MP11	XAHD60G	0.97	0.95	1.01
TM9Y120D20MP11	CF/CM/CU42D	0.99	0.98	1.03
TM9Y120D20MP11	CF/CM/CU48D	0.98	0.97	1.05
TM9Y120D20MP11	CF/CM/CU60D	1.00	1.07	0.94
TM9Y120D20MP11	XAF/XAUD60G	0.96	0.98	0.98
TM9Y120D20MP11	XAFD48F	0.97	0.99	0.99
TM9Y120D20MP11	XAHD48F	0.97	0.97	1.00
TM9Y120D20MP11	XAHD60G	0.96	0.97	0.99
TMLE040A12MP11	XAF/XAUB36D	0.97	0.92	1.05
TMLE060A12MP11	XAF/XAUB36D	0.97	0.92	1.06
TMLE080B12MP11	XAF/XAUB36D	0.97	0.92	1.06
TMLE080B12MP11	XAF/XAUC48F	0.98	0.96	1.02
TMLE080B12MP11	XAF/XAUC60G	0.97	0.96	1.01
TMLE080B12MP11	XAFC36D	0.97	0.92	1.06
TMLE080B12MP11	XAHC48F	0.98	0.94	1.04
TMLE080B12MP11	XAHC60G	0.97	0.95	1.03
TMLE080C16MP11	XAF/XAUC48F	0.97	0.98	0.99
TMLE080C16MP11	XAF/XAUC60G	0.96	0.97	0.99
TMLE080C16MP11	XAF/XAUD60G	0.96	0.97	0.99
TMLE080C16MP11	XAFC36D	0.96	0.93	1.03
TMLE080C16MP11	XAFD48F	0.97	0.98	0.99
TMLE080C16MP11	XAHC36D	0.96	0.92	1.04
TMLE080C16MP11	XAHC48F	0.97	0.96	1.01
TMLE080C16MP11	XAHC60G	0.96	0.97	0.99
TMLE080C16MP11	XAHD48F	0.97	0.96	1.02
TMLE080C16MP11	XAHD60G	0.96	0.96	1.00
TMLE100B12MP11	XAF/XAUB36D	0.97	0.92	1.05
TMLE100B12MP11	XAF/XAUC48F	0.98	0.96	1.02
TMLE100B12MP11	XAF/XAUC60G	0.97	0.95	1.01
TMLE100B12MP11	XAFC36D	0.97	0.92	1.05
TMLE100B12MP11	XAHC48F	0.98	0.95	1.02
TMLE100B12MP11	XAHC60G	0.97	0.95	1.01
TMLE100C16MP11	XAF/XAUC48F	0.98	0.97	1.00
TMLE100C16MP11	XAF/XAUC60G	0.96	0.97	0.99
TMLE100C16MP11	XAF/XAUD60G	0.96	0.97	0.99
TMLE100C16MP11	XAFC36D	0.97	0.94	1.02
TMLE100C16MP11	XAFD48F	0.97	0.98	0.99
TMLE100C16MP11	XAHC36D	0.97	0.92	1.05
TMLE100C16MP11	XAHC48F	0.97	0.96	1.01
TMLE100C16MP11	XAHC60G	0.96	0.97	0.99
TMLE100C16MP11	XAHD48F	0.97	0.96	1.01
TMLE100C16MP11	XAHD60G	0.96	0.96	1.00

## FURNACE MULTIPLIERS - 3 TON (Continued)

Furnaces	Coil	T.C.	S.C.	KW
TMLE120C16MP11	XAF/XAUC48F	0.98	0.98	1.00
TMLE120C16MP11	XAF/XAUC60G	0.96	0.97	0.99
TMLE120C16MP11	XAF/XAUD60G	0.96	0.97	0.99
TMLE120C16MP11	XAFC36D	0.97	0.94	1.03
TMLE120C16MP11	XAFD48F	0.97	0.98	0.99
TMLE120C16MP11	XAHC36D	0.97	0.92	1.05
TMLE120C16MP11	XAHC48F	0.97	0.96	1.01
TMLE120C16MP11	XAHC60G	0.96	0.97	0.99
TMLE120C16MP11	XAHD48F	0.97	0.96	1.01
TMLE120C16MP11	XAHD60G	0.96	0.97	1.00
TMLV060A12MP12C	CF/CM/CU36B	0.99	0.93	1.09
TMLV060A12MP12C	CF42B	0.99	0.91	1.10
TMLV060A12MP12C	XAF/XAUB36D	0.97	0.91	1.06
TMLV080B12MP12C	CF/CM/CU36C	0.99	0.93	1.09
TMLV080B12MP12C	CF/CM/CU42C	0.99	0.90	1.13
TMLV080B12MP12C	CF/CM/CU48C	0.98	0.94	1.09
TMLV080B12MP12C	CF/CM/CU60C	0.97	0.92	1.12
TMLV080C16MP12C	CF/CM/CU36C	1.01	1.01	0.98
TMLV080C16MP12C	CF/CM/CU42C	0.99	0.89	1.14
TMLV080C16MP12C	CF/CM/CU42D	0.98	0.88	1.16
TMLV080C16MP12C	CF/CM/CU48C	0.98	0.95	1.08
TMLV080C16MP12C	CF/CM/CU48D	0.98	0.96	1.06
TMLV080C16MP12C	CF/CM/CU60C	0.99	1.03	0.98
TMLV080C16MP12C	CF/CM/CU60D	0.99	1.03	0.97
TMLV100C16MP12C	CF/CM/CU36C	1.01	1.01	0.98
TMLV100C16MP12C	CF/CM/CU42C	0.99	0.89	1.14
TMLV100C16MP12C	CF/CM/CU42D	0.98	0.88	1.16
TMLV100C16MP12C	CF/CM/CU48C	0.98	0.95	1.08
TMLV100C16MP12C	CF/CM/CU48D	0.98	0.96	1.06
TMLV100C16MP12C	CF/CM/CU60C	0.99	1.03	0.98
TMLV100C16MP12C	CF/CM/CU60D	0.99	1.03	0.97
TMLV100C16MP12C	XAF/XAUC48F	0.98	0.97	1.00
TMLV100C16MP12C	XAF/XAUC60G	0.96	0.97	0.99
TMLV100C16MP12C	XAF/XAUD60G	0.96	0.97	0.99
TMLV100C16MP12C	XAFC36D	0.96	0.92	1.05
TMLV100C16MP12C	XAFD48F	0.98	0.98	1.00
TMLV100C16MP12C	XAHC36D	0.97	0.91	1.07
TMLV100C16MP12C	XAHC48F	0.97	0.95	1.02
TMLV100C16MP12C	XAHC60G	0.96	0.97	0.99
TMLV100C16MP12C	XAHD48F	0.97	0.95	1.02
TMLV100C16MP12C	XAHD60G	0.96	0.96	1.00
TMLV100C20MP12C	CF/CM/CU36C	1.00	1.04	0.96
TMLV100C20MP12C	CF/CM/CU42C	0.99	0.96	1.06
TMLV100C20MP12C	CF/CM/CU42D	0.99	0.96	1.05
TMLV100C20MP12C	CF/CM/CU48C	0.98	0.98	1.04
TMLV100C20MP12C	CF/CM/CU48D	0.98	0.98	1.04
TMLV100C20MP12C	CF/CM/CU60C	1.00	1.04	0.96
TMLV100C20MP12C	CF/CM/CU60D	1.00	1.04	0.96
TMLV120C20MP12C	CF/CM/CU36C	1.00	1.04	0.96
TMLV120C20MP12C	CF/CM/CU42C	0.99	0.96	1.06
TMLV120C20MP12C	CF/CM/CU42D	0.99	0.96	1.05
TMLV120C20MP12C	CF/CM/CU48C	0.98	0.98	1.04
TMLV120C20MP12C	CF/CM/CU48D	0.98	0.98	1.04
TMLV120C20MP12C	CF/CM/CU60C	1.00	1.04	0.96
TMLV120C20MP12C	CF/CM/CU60D	1.00	1.04	0.96
TMLV120C20MP12C	XAF/XAUC60G	0.95	0.98	0.98

## FURNACE MULTIPLIERS - 3 TON (Continued)

Furnaces	Coil	T.C.	S.C.	KW
TMLV120C20MP12C	XAHC48F	0.96	0.97	1.00
TMLV120C20MP12C	XAHC60G	0.96	0.98	0.97
TMLX060A12MP11	CF/CM/CU36B	0.98	0.91	1.12
TMLX060A12MP11	CF/CM36A	0.98	0.91	1.12
TMLX060A12MP11	CF42B	0.97	0.82	1.26
TMLX080B12MP11	CF/CM/CU36B	0.98	0.91	1.12
TMLX080B12MP11	CF/CM/CU36C	0.98	0.96	1.06
TMLX080B12MP11	CF/CM/CU42C	0.97	0.88	1.17
TMLX080B12MP11	CF/CM/CU48C	0.97	0.93	1.11
TMLX080B12MP11	CF/CM/CU60C	0.97	0.95	1.09
TMLX080B12MP11	CF42B	0.98	0.93	1.10
TMLX080C16MP11	CF/CM/CU36C	1.00	1.03	0.97
TMLX080C16MP11	CF/CM/CU42C	0.99	0.95	1.06
TMLX080C16MP11	CF/CM/CU42D	0.98	0.84	1.22
TMLX080C16MP11	CF/CM/CU48C	0.98	0.97	1.05
TMLX080C16MP11	CF/CM/CU48D	0.98	0.97	1.05
TMLX080C16MP11	CF/CM/CU60C	0.99	1.03	0.98
TMLX080C16MP11	CF/CM/CU60D	0.97	0.90	1.14
TMLX100C16MP11	CF/CM/CU36C	1.00	1.03	0.97
TMLX100C16MP11	CF/CM/CU42C	0.99	0.95	1.06
TMLX100C16MP11	CF/CM/CU42D	0.98	0.84	1.22
TMLX100C16MP11	CF/CM/CU48C	0.98	0.97	1.05
TMLX100C16MP11	CF/CM/CU48D	0.98	0.97	1.05
TMLX100C16MP11	CF/CM/CU60C	0.99	1.03	0.98
TMLX100C16MP11	CF/CM/CU60D	0.97	0.90	1.14
TMLX100C20MP11	CF/CM/CU36C	0.99	0.94	1.08
TMLX100C20MP11	CF/CM/CU42C	0.99	0.98	1.04
TMLX100C20MP11	CF/CM/CU42D	1.00	0.99	1.02
TMLX100C20MP11	CF/CM/CU48C	0.98	0.96	1.07
TMLX100C20MP11	CF/CM/CU48D	0.98	0.98	1.04
TMLX100C20MP11	CF/CM/CU60C	1.00	1.04	0.96
TMLX100C20MP11	CF/CM/CU60D	1.01	1.07	0.93
TMLX120C20MP11	CF/CM/CU36C	0.99	0.94	1.08
TMLX120C20MP11	CF/CM/CU42C	0.99	0.98	1.04
TMLX120C20MP11	CF/CM/CU42D	1.00	0.99	1.02
TMLX120C20MP11	CF/CM/CU48C	0.98	0.96	1.07
TMLX120C20MP11	CF/CM/CU48D	0.98	0.96	1.07
TMLX120C20MP11	CF/CM/CU48D	0.98	0.98	1.04
TMLX120C20MP11	CF/CM/CU60C	1.00	1.04	0.96
TMLX120C20MP11	CF/CM/CU60D	1.01	1.07	0.93
TP9C060B12MP13C	CF/CM/CU36B	0.98	0.92	1.10
TP9C060B12MP13C	CF/CM/CU36C	0.99	0.93	1.09
TP9C060B12MP13C	CF/CM/CU42C	0.99	0.90	1.13
TP9C060B12MP13C	CF/CM/CU48C	0.98	0.94	1.09
TP9C060B12MP13C	CF/CM/CU60C	0.98	0.98	1.04
TP9C060B12MP13C	CF42B	0.98	0.89	1.14
TP9C060B12MP13C	XAF/XAUC48F	0.99	0.97	1.02
TP9C060B12MP13C	XAF/XAUC60G	0.98	0.95	1.03
TP9C060B12MP13C	XAHC48F	0.98	0.94	1.04
TP9C060B12MP13C	XAHC60G	0.97	0.95	1.03
TP9C080B12MP13C	CF/CM/CU36B	0.99	0.93	1.09
TP9C080B12MP13C	CF/CM/CU42C	0.98	0.88	1.16
TP9C080B12MP13C	CF/CM/CU48C	0.98	0.94	1.09
TP9C080B12MP13C	CF/CM/CU60C	0.99	1.02	0.99
TP9C080B12MP13C	CF42B	0.99	0.91	1.10
TP9C080B12MP13C	XAF/XAUB36D	0.97	0.91	1.07
TP9C080B12MP13C	XAF/XAUC48F	0.98	0.96	1.03



## FURNACE MULTIPLIERS - 3 TON (Continued)

Furnaces	Coil	T.C.	S.C.	KW
TP9C080B12MP13C	XAF/XAUC60G	0.97	0.96	1.01
TP9C080B12MP13C	XAFC36D	0.97	0.91	1.06
TP9C080B12MP13C	XAHC48F	0.98	0.94	1.04
TP9C080B12MP13C	XAHC60G	0.97	0.95	1.02
TP9C080C16MP13C	CF/CM/CU36C	0.99	0.92	1.10
TP9C080C16MP13C	CF/CM/CU42C	0.99	0.88	1.15
TP9C080C16MP13C	CF/CM/CU42D	0.99	0.88	1.15
TP9C080C16MP13C	CF/CM/CU48C	0.98	0.96	1.06
TP9C080C16MP13C	CF/CM/CU48D	0.98	0.96	1.06
TP9C080C16MP13C	CF/CM/CU60C	0.99	1.01	1.00
TP9C080C16MP13C	CF/CM/CU60D	0.99	1.02	0.99
TP9C080C16MP13C	XAF/XAUC48F	0.98	0.97	1.01
TP9C080C16MP13C	XAF/XAUC60G	0.96	0.95	1.01
TP9C080C16MP13C	XAF/XAUD60G	0.96	0.96	1.00
TP9C080C16MP13C	XAFC36D	0.97	0.91	1.06
TP9C080C16MP13C	XAFD48F	0.97	0.97	1.00
TP9C080C16MP13C	XAHC36D	0.97	0.90	1.08
TP9C080C16MP13C	XAHC48F	0.97	0.95	1.02
TP9C080C16MP13C	XAHC60G	0.96	0.96	1.00
TP9C080C16MP13C	XAHD48F	0.97	0.95	1.02
TP9C080C16MP13C	XAHD60G	0.97	0.95	1.01
TP9C100C16MP13C	CF/CM/CU36C	0.99	0.95	1.06
TP9C100C16MP13C	CF/CM/CU42C	0.99	0.92	1.09
TP9C100C16MP13C	CF/CM/CU42D	1.00	0.93	1.08
TP9C100C16MP13C	CF/CM/CU48C	0.99	0.96	1.05
TP9C100C16MP13C	CF/CM/CU48D	0.99	0.97	1.05
TP9C100C16MP13C	CF/CM/CU60C	0.97	0.90	1.15
TP9C100C16MP13C	CF/CM/CU60D	0.97	0.90	1.14
TP9C100C16MP13C	XAF/XAUC48F	0.97	0.99	0.99
TP9C100C16MP13C	XAF/XAUC60G	0.96	0.97	0.98
TP9C100C16MP13C	XAF/XAUD60G	0.96	0.98	0.98
TP9C100C16MP13C	XAFC36D	0.96	0.94	1.03
TP9C100C16MP13C	XAFD48F	0.97	0.99	0.99
TP9C100C16MP13C	XAHC36D	0.97	0.92	1.05
TP9C100C16MP13C	XAHC48F	0.97	0.96	1.01
TP9C100C16MP13C	XAHC60G	0.96	0.97	0.98
TP9C100C16MP13C	XAHD48F	0.97	0.96	1.01
TP9C100C16MP13C	XAHD60G	0.96	0.97	1.00
TP9C100C20MP13C	CF/CM/CU36C	0.99	0.93	1.09
TP9C100C20MP13C	CF/CM/CU42C	0.98	0.85	1.21
TP9C100C20MP13C	CF/CM/CU42D	0.98	0.85	1.20
TP9C100C20MP13C	CF/CM/CU48C	0.98	0.96	1.06
TP9C100C20MP13C	CF/CM/CU48D	0.98	0.96	1.06
TP9C100C20MP13C	CF/CM/CU60C	0.99	1.01	1.00
TP9C100C20MP13C	CF/CM/CU60D	0.99	1.01	1.00
TP9C100C20MP13C	XAF/XAUC48F	0.98	0.98	1.00
TP9C100C20MP13C	XAF/XAUC60G	0.96	0.97	0.99
TP9C100C20MP13C	XAF/XAUD60G	0.96	0.97	0.99
TP9C100C20MP13C	XAFC36D	0.96	0.93	1.03
TP9C100C20MP13C	XAFD48F	0.97	0.98	0.99
TP9C100C20MP13C	XAHC48F	0.97	0.96	1.01
TP9C100C20MP13C	XAHC60G	0.96	0.97	0.99
TP9C100C20MP13C	XAHD48F	0.97	0.96	1.01
TP9C100C20MP13C	XAHD60G	0.96	0.96	1.00
TP9C120D20MP13C	CF/CM/CU42D	0.98	0.88	1.15
TP9C120D20MP13C	CF/CM/CU48D	0.99	0.97	1.04

## FURNACE MULTIPLIERS - 3 TON (Continued)

Furnaces	Coil	T.C.	S.C.	KW
TP9C120D20MP13C	CF/CM/CU60D	0.98	0.98	1.05
TP9C120D20MP13C	XAF/XAUD60G	0.95	0.98	0.97
TP9C120D20MP13C	XAFD48F	0.97	0.99	0.98
TP9C120D20MP13C	XAHD48F	0.96	0.97	0.99
TP9C120D20MP13C	XAHD60G	0.96	0.98	0.98
TPLC060A12MP13C	CF/CM/CU36B	0.99	0.93	1.09
TPLC060A12MP13C	CF42B	0.99	0.91	1.10
TPLC060A12MP13C	XAF/XAUB36D	0.97	0.91	1.06
TPLC080B12MP13C	CF/CM/CU36C	0.99	0.93	1.09
TPLC080B12MP13C	CF/CM/CU42C	0.99	0.90	1.13
TPLC080B12MP13C	CF/CM/CU48C	0.98	0.94	1.09
TPLC080B12MP13C	CF/CM/CU60C	0.97	0.92	1.12
TPLC080B12MP13C	XAF/XAUC48F	0.99	0.95	1.03
TPLC080B12MP13C	XAF/XAUC60G	0.97	0.93	1.05
TPLC080B12MP13C	XAHC48F	0.99	0.94	1.05
TPLC080B12MP13C	XAHC60G	0.97	0.93	1.04
TPLC080C16MP13C	CF/CM/CU36C	1.01	1.01	0.98
TPLC080C16MP13C	CF/CM/CU42C	0.99	0.89	1.14
TPLC080C16MP13C	CF/CM/CU42D	0.98	0.88	1.16
TPLC080C16MP13C	CF/CM/CU48C	0.98	0.95	1.08
TPLC080C16MP13C	CF/CM/CU48D	0.98	0.96	1.06
TPLC080C16MP13C	CF/CM/CU60C	0.99	1.03	0.98
TPLC080C16MP13C	CF/CM/CU60D	0.99	1.03	0.97
TPLC080C16MP13C	XAF/XAUC48F	0.98	0.97	1.00
TPLC080C16MP13C	XAF/XAUC60G	0.96	0.97	0.99
TPLC080C16MP13C	XAF/XAUD60G	0.96	0.97	0.99
TPLC080C16MP13C	XAFC36D	0.96	0.92	1.05
TPLC080C16MP13C	XAFD48F	0.98	0.98	1.00
TPLC080C16MP13C	XAHC36D	0.97	0.91	1.07
TPLC080C16MP13C	XAHC48F	0.97	0.95	1.02
TPLC080C16MP13C	XAHC60G	0.96	0.97	0.99
TPLC080C16MP13C	XAHD48F	0.97	0.95	1.02
TPLC080C16MP13C	XAHD60G	0.96	0.96	1.00
TPLC100C16MP13C	CF/CM/CU36C	1.01	1.01	0.98
TPLC100C16MP13C	CF/CM/CU42C	0.99	0.89	1.14
TPLC100C16MP13C	CF/CM/CU42D	0.98	0.88	1.16
TPLC100C16MP13C	CF/CM/CU48C	0.98	0.95	1.08
TPLC100C16MP13C	CF/CM/CU48D	0.98	0.96	1.06
TPLC100C16MP13C	CF/CM/CU60C	0.99	1.03	0.98
TPLC100C16MP13C	CF/CM/CU60D	0.99	1.03	0.97
TPLC100C16MP13C	XAF/XAUC48F	0.98	0.97	1.00
TPLC100C16MP13C	XAF/XAUC60G	0.96	0.97	0.99
TPLC100C16MP13C	XAF/XAUD60G	0.96	0.97	0.99
TPLC100C16MP13C	XAFC36D	0.96	0.92	1.05
TPLC100C16MP13C	XAFD48F	0.98	0.98	1.00
TPLC100C16MP13C	XAHC36D	0.97	0.91	1.07
TPLC100C16MP13C	XAHC48F	0.97	0.95	1.02
TPLC100C16MP13C	XAHC60G	0.96	0.97	0.99
TPLC100C16MP13C	XAHD48F	0.97	0.95	1.02
TPLC100C16MP13C	XAHD60G	0.96	0.96	1.00
TPLC100C20MP13C	CF/CM/CU36C	1.00	1.04	0.96
TPLC100C20MP13C	CF/CM/CU42C	0.99	0.96	1.06
TPLC100C20MP13C	CF/CM/CU42D	0.99	0.96	1.05
TPLC100C20MP13C	CF/CM/CU48C	0.98	0.98	1.04
TPLC100C20MP13C	CF/CM/CU48D	0.98	0.98	1.04
TPLC100C20MP13C	CF/CM/CU60C	1.00	1.04	0.96

## FURNACE MULTIPLIERS - 3 TON (Continued)

Furnaces	Coil	T.C.	S.C.	KW
TPLC100C20MP13C	CF/CM/CU60D	1.00	1.04	0.96
TPLC100C20MP13C	XAF/XAUC60G	0.95	0.98	0.98
TPLC100C20MP13C	XAHC48F	0.96	0.97	1.00
TPLC100C20MP13C	XAHC60G	0.96	0.98	0.97
TPLC120C20MP13C	CF/CM/CU36C	1.00	1.04	0.96
TPLC120C20MP13C	CF/CM/CU42C	0.99	0.96	1.06
TPLC120C20MP13C	CF/CM/CU42D	0.99	0.96	1.05
TPLC120C20MP13C	CF/CM/CU48C	0.98	0.98	1.04
TPLC120C20MP13C	CF/CM/CU48D	0.98	0.98	1.04
TPLC120C20MP13C	CF/CM/CU60C	1.00	1.04	0.96
TPLC120C20MP13C	CF/CM/CU60D	1.00	1.04	0.96
TPLC120C20MP13C	XAF/XAUC60G	0.95	0.98	0.98
TPLC120C20MP13C	XAHC48F	0.96	0.97	1.00
TPLC120C20MP13C	XAHC60G	0.96	0.98	0.97
YP9C060B12MP13C	CF/CM/CU36B	0.98	0.92	1.10
YP9C060B12MP13C	CF/CM/CU36C	0.99	0.93	1.09
YP9C060B12MP13C	CF/CM/CU42C	0.99	0.90	1.13
YP9C060B12MP13C	CF/CM/CU48C	0.98	0.94	1.09
YP9C060B12MP13C	CF/CM/CU60C	0.98	0.98	1.04
YP9C060B12MP13C	CF42B	0.98	0.89	1.14
YP9C060B12MP13C	XAF/XAUC48F	0.99	0.97	1.02
YP9C060B12MP13C	XAF/XAUC60G	0.98	0.95	1.03
YP9C060B12MP13C	XAHC48F	0.98	0.94	1.04
YP9C060B12MP13C	XAHC60G	0.97	0.95	1.03
YP9C080B12MP13C	CF/CM/CU36B	0.99	0.93	1.09
YP9C080B12MP13C	CF/CM/CU42C	0.98	0.88	1.16
YP9C080B12MP13C	CF/CM/CU48C	0.98	0.94	1.09
YP9C080B12MP13C	CF/CM/CU60C	0.99	1.02	0.99
YP9C080B12MP13C	CF42B	0.99	0.91	1.10
YP9C080B12MP13C	XAF/XAUB36D	0.97	0.91	1.07
YP9C080B12MP13C	XAF/XAUC48F	0.98	0.96	1.03
YP9C080B12MP13C	XAF/XAUC60G	0.97	0.96	1.01
YP9C080B12MP13C	XAFC36D	0.97	0.91	1.06
YP9C080B12MP13C	XAHC48F	0.98	0.94	1.04
YP9C080B12MP13C	XAHC60G	0.97	0.95	1.02
YP9C080C16MP13C	CF/CM/CU36C	0.99	0.92	1.10
YP9C080C16MP13C	CF/CM/CU42C	0.99	0.88	1.15
YP9C080C16MP13C	CF/CM/CU42D	0.99	0.88	1.15
YP9C080C16MP13C	CF/CM/CU48C	0.98	0.96	1.06
YP9C080C16MP13C	CF/CM/CU48D	0.98	0.96	1.06
YP9C080C16MP13C	CF/CM/CU60C	0.99	1.01	1.00
YP9C080C16MP13C	CF/CM/CU60D	0.99	1.02	0.99
YP9C080C16MP13C	XAF/XAUC48F	0.98	0.97	1.01
YP9C080C16MP13C	XAF/XAUC60G	0.96	0.95	1.01
YP9C080C16MP13C	XAF/XAUD60G	0.96	0.96	1.00
YP9C080C16MP13C	XAFC36D	0.97	0.91	1.06
YP9C080C16MP13C	XAFD48F	0.97	0.97	1.00
YP9C080C16MP13C	XAHC36D	0.97	0.90	1.08
YP9C080C16MP13C	XAHC48F	0.97	0.95	1.02
YP9C080C16MP13C	XAHC60G	0.96	0.96	1.00
YP9C080C16MP13C	XAHD48F	0.97	0.95	1.02
YP9C080C16MP13C	XAHD60G	0.97	0.95	1.01
YP9C100C16MP13C	CF/CM/CU36C	0.99	0.95	1.06
YP9C100C16MP13C	CF/CM/CU42C	0.99	0.92	1.09
YP9C100C16MP13C	CF/CM/CU42D	1.00	0.93	1.08
YP9C100C16MP13C	CF/CM/CU48C	0.99	0.96	1.05

## FURNACE MULTIPLIERS - 3 TON (Continued)

Furnaces	Coil	T.C.	S.C.	KW
YP9C100C16MP13C	CF/CM/CU48D	0.99	0.97	1.05
YP9C100C16MP13C	CF/CM/CU60C	0.97	0.90	1.15
YP9C100C16MP13C	CF/CM/CU60D	0.97	0.90	1.14
YP9C100C16MP13C	XAF/XAUC48F	0.97	0.99	0.99
YP9C100C16MP13C	XAF/XAUC60G	0.96	0.97	0.98
YP9C100C16MP13C	XAF/XAUD60G	0.96	0.98	0.98
YP9C100C16MP13C	XAFC36D	0.96	0.94	1.03
YP9C100C16MP13C	XAFD48F	0.97	0.99	0.99
YP9C100C16MP13C	XAHC36D	0.97	0.92	1.05
YP9C100C16MP13C	XAHC48F	0.97	0.96	1.01
YP9C100C16MP13C	XAHC60G	0.96	0.97	0.98
YP9C100C16MP13C	XAHD48F	0.97	0.96	1.01
YP9C100C16MP13C	XAHD60G	0.96	0.97	1.00
YP9C100C20MP13C	CF/CM/CU36C	0.99	0.93	1.09
YP9C100C20MP13C	CF/CM/CU42C	0.98	0.85	1.21
YP9C100C20MP13C	CF/CM/CU42D	0.98	0.85	1.20
YP9C100C20MP13C	CF/CM/CU48C	0.98	0.96	1.06
YP9C100C20MP13C	CF/CM/CU48D	0.98	0.96	1.06
YP9C100C20MP13C	CF/CM/CU60C	0.99	1.01	1.00
YP9C100C20MP13C	CF/CM/CU60D	0.99	1.01	1.00
YP9C100C20MP13C	XAF/XAUC48F	0.98	0.98	1.00
YP9C100C20MP13C	XAF/XAUC60G	0.96	0.97	0.99
YP9C100C20MP13C	XAF/XAUD60G	0.96	0.97	0.99
YP9C100C20MP13C	XAFC36D	0.96	0.93	1.03
YP9C100C20MP13C	XAFD48F	0.97	0.98	0.99
YP9C100C20MP13C	XAHC48F	0.97	0.96	1.01
YP9C100C20MP13C	XAHC60G	0.96	0.97	0.99
YP9C100C20MP13C	XAHD48F	0.97	0.96	1.01
YP9C100C20MP13C	XAHD60G	0.96	0.96	1.00
YP9C120D20MP13C	CF/CM/CU42D	0.98	0.88	1.15
YP9C120D20MP13C	CF/CM/CU48D	0.99	0.97	1.04
YP9C120D20MP13C	CF/CM/CU60D	0.98	0.98	1.05
YP9C120D20MP13C	XAF/XAUD60G	0.95	0.98	0.97
YP9C120D20MP13C	XAFD48F	0.97	0.99	0.98
YP9C120D20MP13C	XAHD48F	0.96	0.97	0.99
YP9C120D20MP13C	XAHD60G	0.96	0.98	0.98
YPLC060A12MP13C	CF/CM/CU36B	0.99	0.93	1.09
YPLC060A12MP13C	CF42B	0.99	0.91	1.10
YPLC060A12MP13C	XAF/XAUB36D	0.97	0.91	1.06
YPLC080B12MP13C	CF/CM/CU36C	0.99	0.93	1.09
YPLC080B12MP13C	CF/CM/CU42C	0.99	0.90	1.13
YPLC080B12MP13C	CF/CM/CU48C	0.98	0.94	1.09
YPLC080B12MP13C	CF/CM/CU60C	0.97	0.92	1.12
YPLC080B12MP13C	XAF/XAUC48F	0.99	0.95	1.03
YPLC080B12MP13C	XAF/XAUC60G	0.97	0.93	1.05
YPLC080B12MP13C	XAHC48F	0.99	0.94	1.05
YPLC080B12MP13C	XAHC60G	0.97	0.93	1.04
YPLC080C16MP13C	CF/CM/CU36C	1.01	1.01	0.98
YPLC080C16MP13C	CF/CM/CU42C	0.99	0.89	1.14
YPLC080C16MP13C	CF/CM/CU42D	0.98	0.88	1.16
YPLC080C16MP13C	CF/CM/CU48C	0.98	0.95	1.08
YPLC080C16MP13C	CF/CM/CU48D	0.98	0.96	1.06
YPLC080C16MP13C	CF/CM/CU60C	0.99	1.03	0.98
YPLC080C16MP13C	CF/CM/CU60D	0.99	1.03	0.97
YPLC080C16MP13C	XAF/XAUC48F	0.98	0.97	1.00
YPLC080C16MP13C	XAF/XAUC60G	0.96	0.97	0.99

**FURNACE MULTIPLIERS - 3 TON (Continued)**

Furnaces	Coil	T.C.	S.C.	KW
YPLC080C16MP13C	XAF/XAUD60G	0.96	0.97	0.99
YPLC080C16MP13C	XAFC36D	0.96	0.92	1.05
YPLC080C16MP13C	XAFD48F	0.98	0.98	1.00
YPLC080C16MP13C	XAHC36D	0.97	0.91	1.07
YPLC080C16MP13C	XAHC48F	0.97	0.95	1.02
YPLC080C16MP13C	XAHC60G	0.96	0.97	0.99
YPLC080C16MP13C	XAHD48F	0.97	0.95	1.02
YPLC080C16MP13C	XAHD60G	0.96	0.96	1.00
YPLC100C16MP13C	CF/CM/CU36C	1.01	1.01	0.98
YPLC100C16MP13C	CF/CM/CU42C	0.99	0.89	1.14
YPLC100C16MP13C	CF/CM/CU42D	0.98	0.88	1.16
YPLC100C16MP13C	CF/CM/CU48C	0.98	0.95	1.08
YPLC100C16MP13C	CF/CM/CU48D	0.98	0.96	1.06
YPLC100C16MP13C	CF/CM/CU60C	0.99	1.03	0.98
YPLC100C16MP13C	CF/CM/CU60D	0.99	1.03	0.97
YPLC100C16MP13C	XAF/XAUC48F	0.98	0.97	1.00
YPLC100C16MP13C	XAF/XAUC60G	0.96	0.97	0.99
YPLC100C16MP13C	XAF/XAUD60G	0.96	0.97	0.99
YPLC100C16MP13C	XAFC36D	0.96	0.92	1.05
YPLC100C16MP13C	XAFD48F	0.98	0.98	1.00
YPLC100C16MP13C	XAHC36D	0.97	0.91	1.07
YPLC100C16MP13C	XAHC48F	0.97	0.95	1.02
YPLC100C16MP13C	XAHC60G	0.96	0.97	0.99
YPLC100C16MP13C	XAHD48F	0.97	0.95	1.02

**FURNACE MULTIPLIERS - 3 TON (Continued)**

Furnaces	Coil	T.C.	S.C.	KW
YPLC100C16MP13C	XAHD60G	0.96	0.96	1.00
YPLC100C20MP13C	CF/CM/CU36C	1.00	1.04	0.96
YPLC100C20MP13C	CF/CM/CU42C	0.99	0.96	1.06
YPLC100C20MP13C	CF/CM/CU42D	0.99	0.96	1.05
YPLC100C20MP13C	CF/CM/CU48C	0.98	0.98	1.04
YPLC100C20MP13C	CF/CM/CU48D	0.98	0.98	1.04
YPLC100C20MP13C	CF/CM/CU60C	1.00	1.04	0.96
YPLC100C20MP13C	CF/CM/CU60D	1.00	1.04	0.96
YPLC100C20MP13C	XAF/XAUC60G	0.95	0.98	0.98
YPLC100C20MP13C	XAHC48F	0.96	0.97	1.00
YPLC100C20MP13C	XAHC60G	0.96	0.98	0.97
YPLC120C20MP13C	CF/CM/CU36C	1.00	1.04	0.96
YPLC120C20MP13C	CF/CM/CU42C	0.99	0.96	1.06
YPLC120C20MP13C	CF/CM/CU42D	0.99	0.96	1.05
YPLC120C20MP13C	CF/CM/CU48C	0.98	0.98	1.04
YPLC120C20MP13C	CF/CM/CU48D	0.98	0.98	1.04
YPLC120C20MP13C	CF/CM/CU60C	1.00	1.04	0.96
YPLC120C20MP13C	CF/CM/CU60D	1.00	1.04	0.96
YPLC120C20MP13C	XAF/XAUC60G	0.95	0.98	0.98
YPLC120C20MP13C	XAHC48F	0.96	0.97	1.00
YPLC120C20MP13C	XAHC60G	0.96	0.98	0.97

## PERFORMANCE DATA - 4 TON

CONDENSER-ONLY DATA (OUTDOOR UNIT)																
MODEL	SATURATED SUCTION AT COMPRESSOR		Outdoor Ambient Temperature													
			65 °F		75 °F		85 °F		95 °F		105 °F		115 °F		125 °F	
	T (°F)	P (PSIG)	MBH	KW	MBH	KW	MBH	KW	MBH	KW	MBH	KW	MBH	KW	MBH	KW
YZT48B21S	35	107.4	40.73	2.09	39.51	2.43	38.29	2.76	37.07	3.09	35.84	3.42	34.62	3.76	33.40	4.09
	40	118.6	46.42	2.13	44.53	2.46	42.64	2.79	40.74	3.12	38.85	3.45	36.95	3.78	35.06	4.12
	45	130.4	52.12	2.16	49.55	2.49	46.99	2.82	44.42	3.15	41.85	3.48	39.29	3.81	36.72	4.14
	50	143.0	57.81	2.20	54.57	2.53	51.33	2.85	48.10	3.18	44.86	3.51	41.62	3.84	38.38	4.17
	55	156.3	63.50	2.23	59.59	2.56	55.68	2.89	51.77	3.21	47.86	3.54	43.95	3.86	40.04	4.19
	60	170.3	69.19	2.27	64.61	2.59	60.03	2.92	55.45	3.24	50.87	3.57	46.29	3.89	41.71	4.22

## Notes:

- For Outdoor Unit (Condenser) performance only. Data does not include the effects of air handler power or heat.
- Performance based on 15°F subcooling and 15°F superheat at the Outdoor Unit base valves.
  - Increase capacity by 1% for each 2°F increase in subcooling.
  - Decrease capacity by 1% for each 2°F decrease in subcooling.
- Maximum recommended condensing temperature is 140°F.

COOLING PERFORMANCE DATA																	
AIR CONDITIONER MODEL NO.		YZT48B21S															
AIR TEMPERATURE ENTERING OUTDOOR UNIT (°F)	IDCFM	1350					1600					1850					
		ID DB (°F)	80	80	75	80	80	80	80	75	80	80	80	80	75	80	80
		ID WB (°F)	57	62	62	67	72	57	62	62	67	72	57	62	62	67	72
65	T.C.	55.6	51.8	49.3	55.7	52.4	55.2	53.6	50.5	56.1	51.4	54.9	55.4	51.7	56.6	50.4	
	S.C.	46.4	42.3	34.8	35.4	24.3	48.8	45.9	37.5	36.6	24.8	51.3	49.5	40.1	37.8	25.3	
	KW	2.53	2.52	2.52	2.55	2.58	2.62	2.62	2.63	2.65	2.68	2.71	2.73	2.73	2.75	2.78	
75	T.C.	45.9	50.2	47.7	53.2	53.3	49.4	52.1	49.1	54.4	53.3	52.9	53.9	50.6	55.5	53.4	
	S.C.	40.6	41.3	33.9	34.4	25.8	45.0	44.7	36.5	36.5	26.6	49.5	48.1	39.2	38.5	27.4	
	KW	2.35	2.78	2.78	2.81	2.84	2.66	2.88	2.88	2.91	2.94	2.97	2.98	2.98	3.01	3.04	
85	T.C.	36.3	48.6	46.0	50.8	54.2	43.6	50.5	47.7	52.6	55.3	50.9	52.4	49.5	54.4	56.4	
	S.C.	34.7	40.4	32.9	33.5	27.2	41.2	43.6	35.6	36.4	28.3	47.8	46.8	38.3	39.2	29.4	
	KW	2.17	3.03	3.03	3.06	3.09	2.70	3.14	3.13	3.17	3.19	3.22	3.24	3.24	3.27	3.29	
95	T.C.	39.6	45.9	43.7	48.3	51.9	44.4	48.1	45.4	49.2	52.7	49.1	50.3	47.1	50.2	53.5	
	S.C.	37.6	39.4	32.2	32.3	26.0	41.9	42.8	35.0	35.1	27.0	46.2	46.2	37.8	38.0	28.1	
	KW	2.92	3.36	3.36	3.39	3.41	3.23	3.46	3.46	3.50	3.52	3.54	3.57	3.56	3.60	3.62	
105	T.C.	43.0	43.2	41.3	45.7	49.5	45.2	45.6	43.0	45.9	50.0	47.4	48.1	44.7	46.0	50.6	
	S.C.	40.5	38.3	31.4	31.2	24.7	42.5	41.9	34.3	33.9	25.8	44.5	45.6	37.2	36.7	26.8	
	KW	3.67	3.69	3.69	3.72	3.73	3.77	3.79	3.79	3.82	3.84	3.87	3.90	3.89	3.92	3.94	
115	T.C.	40.8	41.8	40.1	44.0	47.1	43.2	44.0	41.6	44.9	47.6	45.5	46.3	43.1	45.7	48.1	
	S.C.	39.2	37.8	31.1	30.5	23.7	41.1	40.9	33.7	33.3	24.8	42.9	44.0	36.3	36.2	25.8	
	KW	4.03	4.05	4.05	4.08	4.09	4.13	4.15	4.15	4.17	4.19	4.23	4.25	4.24	4.27	4.29	
125	T.C.	38.6	40.4	38.8	42.3	44.8	41.1	42.4	40.1	43.8	45.2	43.7	44.5	41.5	45.3	45.6	
	S.C.	37.8	37.3	30.7	29.8	22.7	39.6	39.9	33.1	32.7	23.7	41.4	42.5	35.5	35.6	24.8	
	KW	4.39	4.40	4.40	4.43	4.45	4.49	4.51	4.50	4.53	4.55	4.60	4.61	4.60	4.63	4.65	

**NOTE:** ALL CAPACITIES INCLUDE INDOOR FAN HEAT. KW VALUES ARE FOR THE SYSTEM (OUTDOOR + INDOOR).

Green shaded cells are ACCA (TVA) conditions.

Blue shaded cells are AHRI conditions.

**Multipliers for determining the performance with other indoor sections.**

**NOTE:** For dry bulb temperatures different than those listed (between 73-87 °F), sensible capacity increases by 1060 BTUH per 1000 CFM per degree above the listed temperature and decreases by 1060 BTUH per 1000 CFM per degree below the listed temperature.

**COIL MULTIPLIERS - 4 TON**

Air Handler	Coil	T.C.	S.C.	KW
AE60DX21	—	1.00	1.08	1.00
AVC60DX21	—	1.00	1.09	1.00
ME16CN21	XAFC60H	0.95	0.90	1.05
ME16CN21	XAHC60H	0.98	0.94	1.05
ME20DN21	CF/CM64D	1.01	1.10	1.01
ME20DN21	XAHD60H	0.98	0.93	1.03
MVC16CN21	XAFC60H	0.95	0.86	1.04
MVC16CN21	XAHC60H	0.98	0.93	1.04
MVC20DN21	CF/CM64D	1.00	1.00	1.00
MVC20DN21	XAHD60H	0.97	0.86	1.04

**FURNACE MULTIPLIERS - 4 TON**

Furnaces	Coil	T.C.	S.C.	KW
TL8E080C16UH11	XAHC60H	0.98	0.99	1.05
TL8E080C16UH11	XAHD60H	0.99	1.04	1.06
TL8E100C20UH11	XAFC60H	0.94	0.89	1.05
TL8E100C20UH11	XAHC60H	0.99	1.00	1.05
TL8E100C20UH11	XAHD60H	0.99	1.00	1.05
TL9E080C16UH11	XAHC60H	0.99	1.04	1.07
TL9E080C16UH11	XAHD60H	0.98	1.04	1.06
TL9E100C20UH11	XAHC60H	0.99	0.99	1.05
TL9E100C20UH11	XAHD60H	0.99	1.00	1.06
TM8E080C16MP11	XAHC60H	0.98	0.94	1.08
TM8E080C16MP11	XAHD60H	0.99	1.04	1.06
TM8E080C20MP11	XAFC60H	0.94	0.86	1.07
TM8E080C20MP11	XAHC60H	0.98	0.95	1.05
TM8E080C20MP11	XAHD60H	0.98	0.95	1.05
TM8E100C16MP11	XAHC60H	0.98	0.94	1.08
TM8E100C16MP11	XAHD60H	0.98	0.94	1.08
TM8E100C20MP11	XAFC60H	0.94	0.85	1.07
TM8E100C20MP11	XAHC60H	0.98	0.96	1.05
TM8E100C20MP11	XAHD60H	0.98	0.96	1.06
TM8E120C16MP11	XAHC60H	0.98	0.94	1.08
TM8E120C16MP11	XAHD60H	0.98	0.94	1.08
TM8E120C20MP11	XAFC60H	0.94	0.86	1.07
TM8E120C20MP11	XAHC60H	0.98	0.96	1.05
TM8E120C20MP11	XAHD60H	0.98	0.96	1.05
TM8E130D20MP11	XAHD60H	0.97	0.92	1.06
TM8V080C16MP12C	CF/CM64D	0.99	1.09	1.03
TM8V080C16MP12C	XAHC60H	0.98	0.98	1.06
TM8V080C16MP12C	XAHD60H	0.98	0.98	1.07
TM8V100C16MP12C	CF/CM64D	0.99	1.09	1.03
TM8V100C16MP12C	XAHC60H	0.98	0.98	1.06
TM8V100C16MP12C	XAHD60H	0.98	0.98	1.07
TM8V100C20MP12C	CF/CM64D	1.00	1.08	1.00
TM8V100C20MP12C	XAFC60H	0.94	0.85	1.08
TM8V100C20MP12C	XAHC60H	0.98	0.95	1.05
TM8V100C20MP12C	XAHD60H	0.97	0.89	1.09
TM8V120C20MP12C	CF/CM64D	1.00	1.08	1.00
TM8V120C20MP12C	XAFC60H	0.94	0.85	1.08
TM8V120C20MP12C	XAHC60H	0.98	0.95	1.05
TM8V120C20MP12C	XAHD60H	0.97	0.89	1.09
TM8X080C16MP11	CF/CM64D	1.00	1.12	1.06

**FURNACE MULTIPLIERS - 4 TON (Continued)**

Furnaces	Coil	T.C.	S.C.	KW
TM8X100C16MP11	CF/CM64D	1.00	1.12	1.06
TM8X100C20MP11	CF/CM64D	1.00	1.08	1.04
TM8X120C20MP11	CF/CM64D	1.00	1.08	1.04
TM8Y080C16MP11	CF/CM64D	1.00	1.12	1.06
TM8Y080C16MP11	XAHC60H	0.98	0.99	1.05
TM8Y080C16MP11	XAHD60H	0.98	1.01	1.06
TM8Y100C16MP11	CF/CM64D	1.00	1.12	1.06
TM8Y100C16MP11	XAHC60H	0.98	0.99	1.05
TM8Y100C16MP11	XAHD60H	0.98	1.01	1.06
TM8Y100C20MP11	CF/CM64D	1.00	1.08	1.04
TM8Y100C20MP11	XAHC60H	0.99	1.01	1.05
TM8Y100C20MP11	XAHD60H	0.98	0.95	1.05
TM8Y120C20MP11	CF/CM64D	1.00	1.08	1.04
TM8Y120C20MP11	XAHC60H	0.99	1.01	1.05
TM8Y120C20MP11	XAHD60H	0.98	0.95	1.05
TM9E080C16MP12	XAHC60H	0.99	1.04	1.06
TM9E080C16MP12	XAHD60H	0.98	1.03	1.06
TM9E080C20MP12	XAFC60H	0.94	0.86	1.07
TM9E080C20MP12	XAHC60H	0.98	0.96	1.05
TM9E080C20MP12	XAHD60H	0.99	1.00	1.05
TM9E100C16MP11	CF/CM64D	0.99	1.09	1.05
TM9E100C16MP12	XAHC60H	0.99	1.04	1.06
TM9E100C16MP12	XAHD60H	0.98	1.03	1.05
TM9E100C20MP11	CF/CM64D	0.99	1.08	1.03
TM9E100C20MP12	XAFC60H	0.94	0.86	1.06
TM9E100C20MP12	XAHC60H	0.98	0.96	1.05
TM9E100C20MP12	XAHD60H	0.98	0.96	1.06
TM9E120D20MP11	CF/CM64D	1.00	1.08	1.04
TM9E120D20MP12	XAHD60H	0.97	0.93	1.07
TM9V080C16MP12C	CF/CM64D	0.99	1.09	1.03
TM9V080C16MP12C	XAHC60H	0.97	0.96	1.08
TM9V080C16MP12C	XAHD60H	0.98	0.99	1.09
TM9V100C16MP12C	CF/CM64D	1.00	1.09	1.04
TM9V100C16MP12C	XAHC60H	0.97	0.93	1.08
TM9V100C16MP12C	XAHD60H	0.97	0.93	1.09
TM9V100C20MP12C	CF/CM64D	0.99	1.08	1.03
TM9V100C20MP12C	XAHC60H	0.98	0.97	1.07
TM9V100C20MP12C	XAHD60H	0.97	0.93	1.09
TM9V120D20MP12C	CF/CM64D	1.00	1.09	1.00
TM9V120D20MP12C	XAHD60H	0.97	0.88	1.09
TM9Y100C16MP11	CF/CM64D	0.99	1.09	1.05
TM9Y100C16MP11	XAHC60H	0.98	0.99	1.07
TM9Y100C16MP11	XAHD60H	0.98	0.99	1.08
TM9Y100C20MP11	CF/CM64D	0.99	1.08	1.03
TM9Y100C20MP11	XAHC60H	0.98	0.95	1.08
TM9Y100C20MP11	XAHD60H	0.98	0.96	1.08
TM9Y120D20MP11	CF/CM64D	1.00	1.08	1.04
TM9Y120D20MP11	XAHD60H	0.98	0.94	1.06
TMLE080C16MP11	XAHC60H	0.98	0.94	1.08
TMLE080C16MP11	XAHD60H	0.99	1.04	1.06
TMLE080C20MP11	XAFC60H	0.94	0.86	1.07
TMLE080C20MP11	XAHC60H	0.98	0.95	1.05
TMLE080C20MP11	XAHD60H	0.98	0.95	1.05

**FURNACE MULTIPLIERS - 4 TON (Continued)**

Furnaces	Coil	T.C.	S.C.	KW
TMLE100C16MP11	XAHC60H	0.98	0.94	1.08
TMLE100C16MP11	XAHD60H	0.98	0.94	1.08
TMLE100C20MP11	XAFC60H	0.94	0.85	1.07
TMLE100C20MP11	XAHC60H	0.98	0.96	1.05
TMLE100C20MP11	XAHD60H	0.98	0.96	1.06
TMLE120C16MP11	XAHC60H	0.98	0.94	1.08
TMLE120C16MP11	XAHD60H	0.98	0.94	1.08
TMLE120C20MP11	XAFC60H	0.94	0.86	1.07
TMLE120C20MP11	XAHC60H	0.98	0.96	1.05
TMLE120C20MP11	XAHD60H	0.98	0.96	1.05
TMLE130D20MP11	XAHD60H	0.97	0.92	1.06
TMLV080C16MP12C	CF/CM64D	0.99	1.09	1.03
TMLV100C16MP12C	CF/CM64D	0.99	1.09	1.03
TMLV100C16MP12C	XAHC60H	0.98	0.98	1.06
TMLV100C16MP12C	XAHD60H	0.98	0.98	1.07
TMLV100C20MP12C	CF/CM64D	1.00	1.08	1.00
TMLV120C20MP12C	CF/CM64D	1.00	1.08	1.00
TMLV120C20MP12C	XAFC60H	0.94	0.85	1.08
TMLV120C20MP12C	XAHC60H	0.98	0.95	1.05
TMLV120C20MP12C	XAHD60H	0.97	0.89	1.09
TMLX080C16MP11	CF/CM64D	1.00	1.12	1.06
TMLX100C16MP11	CF/CM64D	1.00	1.12	1.06
TMLX100C20MP11	CF/CM64D	1.00	1.08	1.04
TMLX120C20MP11	CF/CM64D	1.00	1.08	1.04
TP9C080C16MP13C	CF/CM64D	0.99	1.09	1.03
TP9C080C16MP13C	XAHC60H	0.97	0.96	1.08
TP9C080C16MP13C	XAHD60H	0.98	0.99	1.09
TP9C100C16MP13C	CF/CM64D	1.00	1.09	1.04
TP9C100C16MP13C	XAHC60H	0.97	0.93	1.08
TP9C100C16MP13C	XAHD60H	0.97	0.93	1.09
TP9C100C20MP13C	CF/CM64D	0.99	1.08	1.03
TP9C100C20MP13C	XAHC60H	0.98	0.97	1.07
TP9C100C20MP13C	XAHD60H	0.97	0.93	1.09
TP9C120D20MP13C	CF/CM64D	1.00	1.09	1.00
TP9C120D20MP13C	XAHD60H	0.97	0.88	1.09
TPLC080C16MP13C	CF/CM64D	0.99	1.09	1.03
TPLC080C16MP13C	XAHC60H	0.98	0.98	1.06
TPLC080C16MP13C	XAHD60H	0.98	0.98	1.07
TPLC100C16MP13C	CF/CM64D	0.99	1.09	1.03
TPLC100C16MP13C	XAHC60H	0.98	0.98	1.06
TPLC100C16MP13C	XAHD60H	0.98	0.98	1.07
TPLC100C20MP13C	CF/CM64D	1.00	1.08	1.00
TPLC100C20MP13C	XAFC60H	0.94	0.85	1.08
TPLC100C20MP13C	XAHC60H	0.98	0.95	1.05
TPLC100C20MP13C	XAHD60H	0.97	0.89	1.09
TPLC120C20MP13C	CF/CM64D	1.00	1.08	1.00
TPLC120C20MP13C	XAFC60H	0.94	0.85	1.08
TPLC120C20MP13C	XAHC60H	0.98	0.95	1.05
TPLC120C20MP13C	XAHD60H	0.97	0.89	1.09
YP9C080C16MP13C	CF/CM64D	0.99	1.09	1.03
YP9C080C16MP13C	XAHC60H	0.97	0.96	1.08
YP9C080C16MP13C	XAHD60H	0.98	0.99	1.09
YP9C100C16MP13C	CF/CM64D	1.00	1.09	1.04
YP9C100C16MP13C	XAHC60H	0.97	0.93	1.08
YP9C100C16MP13C	XAHD60H	0.97	0.93	1.09
YP9C100C20MP13C	CF/CM64D	0.99	1.08	1.03

**FURNACE MULTIPLIERS - 4 TON (Continued)**

Furnaces	Coil	T.C.	S.C.	KW
YP9C100C20MP13C	XAHC60H	0.98	0.97	1.07
YP9C100C20MP13C	XAHD60H	0.97	0.93	1.09
YP9C120D20MP13C	CF/CM64D	1.00	1.09	1.00
YP9C120D20MP13C	XAHD60H	0.97	0.88	1.09
YPLC080C16MP13C	CF/CM64D	0.99	1.09	1.03
YPLC080C16MP13C	XAHC60H	0.98	0.98	1.06
YPLC080C16MP13C	XAHD60H	0.98	0.98	1.07
YPLC100C16MP13C	CF/CM64D	0.99	1.09	1.03
YPLC100C16MP13C	XAHC60H	0.98	0.98	1.06
YPLC100C16MP13C	XAHD60H	0.98	0.98	1.07
YPLC100C20MP13C	CF/CM64D	1.00	1.08	1.00
YPLC100C20MP13C	XAFC60H	0.94	0.85	1.08
YPLC100C20MP13C	XAHC60H	0.98	0.95	1.05
YPLC100C20MP13C	XAHD60H	0.97	0.89	1.09
YPLC120C20MP13C	CF/CM64D	1.00	1.08	1.00
YPLC120C20MP13C	XAFC60H	0.94	0.85	1.08
YPLC120C20MP13C	XAHC60H	0.98	0.95	1.05
YPLC120C20MP13C	XAHD60H	0.97	0.89	1.09

HEATING PERFORMANCE DATA										
CONDENSING UNIT MODEL NO		YZT48B21S								
AIR TEMPERATURE ENTERING OUTDOOR UNIT (°F)	AIR TEMPERATURE ENTERING INDOOR COIL (°F)	ID CFM								
		1350			1600			1850		
		MBH	COP	KW	MBH	COP	KW	MBH	COP	KW
60	60	63.9	4.62	4.05	64.4	4.74	3.98	64.9	4.86	3.91
	70	62.8	4.11	4.48	63.3	4.22	4.39	63.8	4.34	4.31
	80	61.8	3.69	4.90	62.3	3.80	4.80	62.8	3.91	4.70
47	60	55.4	4.23	3.84	56.2	4.32	3.81	57.0	4.42	3.78
	70	47.3	3.81	3.63	48.1	3.89	3.62	49.0	3.97	3.61
	80	39.1	3.34	3.43	40.0	3.41	3.44	40.9	3.47	3.45
40	60	51.7	4.02	3.77	52.6	4.12	3.74	53.4	4.21	3.72
	70	51.3	3.61	4.16	52.1	3.70	4.12	52.9	3.79	4.09
	80	50.8	3.28	4.55	51.6	3.36	4.51	52.4	3.44	4.47
30	60	46.2	3.72	3.64	46.7	3.76	3.64	47.2	3.79	3.64
	70	44.5	3.25	4.01	45.7	3.35	4.00	46.8	3.44	3.98
	80	42.8	2.86	4.38	44.7	3.01	4.35	46.5	3.15	4.32
17	60	31.2	3.05	2.99	31.5	3.07	3.00	31.7	3.09	3.01
	70	31.3	2.78	3.30	31.0	2.76	3.29	30.7	2.74	3.28
	80	31.5	2.55	3.61	30.5	2.49	3.59	29.6	2.44	3.56
10	60	28.3	2.81	2.95	29.0	2.84	2.99	29.67	2.87	3.02
	70	27.6	2.51	3.22	28.1	2.54	3.25	28.6	2.56	3.28
	80	27.0	2.27	3.49	27.3	2.28	3.51	27.6	2.29	3.53
0	60	21.5	2.46	2.56	22.1	2.49	2.60	22.6	2.52	2.63
	70	21.0	2.20	2.80	21.4	2.22	2.82	21.8	2.24	2.85
	80	20.6	1.99	3.03	20.8	2.00	3.05	21.0	2.01	3.07
-10	60	16.1	1.93	2.45	16.5	1.96	2.48	16.9	1.98	2.51
	70	15.8	1.73	2.67	16.1	1.75	2.69	16.3	1.76	2.72
	80	15.4	1.56	2.89	15.6	1.57	2.91	15.7	1.58	2.93
-20	60	10.8	1.36	2.33	11.1	1.37	2.36	11.3	1.39	2.39
	70	10.6	1.22	2.54	10.7	1.23	2.57	10.9	1.24	2.59
	80	10.3	1.10	2.76	10.4	1.10	2.77	10.5	1.11	2.79

**NOTE:** ALL CAPACITIES INCLUDE INDOOR FAN HEAT. KW VALUES ARE FOR THE SYSTEM (OUTDOOR + INDOOR).

Yellow shaded cells are AHRI High Heating conditions.

Orange shaded cells are AHRI Low Heating conditions.

**Multipliers for determining the performance with other indoor sections.****COIL MULTIPLIERS - 4 TON**

Air Handler	Coil	MBH	COP	KW
AE60DX21	—	1.00	1.02	0.98
AVC60DX21	—	1.00	1.01	0.99
ME16CN21	XAFC60H	0.97	0.92	1.06
ME16CN21	XAHC60H	1.00	0.96	1.04
ME20DN21	CF/CM64D	1.00	1.03	0.97
ME20DN21	XAHD60H	0.99	0.98	1.02
MVC16CN21	XAFC60H	0.96	0.93	1.03
MVC16CN21	XAHC60H	0.99	0.97	1.02
MVC20DN21	CF/CM64D	1.00	1.00	1.00
MVC20DN21	XAHD60H	0.99	0.97	1.01

**FURNACE MULTIPLIERS - 4 TON**

Furnaces	Coil	T.C.	S.C.	KW
TL8E080C16UH11	XAHC60H	1.00	0.95	1.05
TL8E080C16UH11	XAHD60H	1.01	0.95	1.06
TL8E100C20UH11	XAFC60H	0.97	0.91	1.06
TL8E100C20UH11	XAHC60H	1.00	0.96	1.04
TL8E100C20UH11	XAHD60H	1.00	0.96	1.04
TL9E080C16UH11	XAHC60H	1.01	0.95	1.06
TL9E080C16UH11	XAHD60H	1.01	0.95	1.07
TL9E100C20UH11	XAHC60H	1.00	0.96	1.04
TL9E100C20UH11	XAHD60H	1.00	0.96	1.05
TM8E080C16MP11	XAHC60H	1.01	0.94	1.07
TM8E080C16MP11	XAHD60H	1.00	0.96	1.05
TM8E080C20MP11	XAFC60H	0.97	0.91	1.06
TM8E080C20MP11	XAHC60H	1.00	0.96	1.04
TM8E080C20MP11	XAHD60H	1.00	0.95	1.05
TM8E100C16MP11	XAHC60H	1.01	0.94	1.07
TM8E100C16MP11	XAHD60H	1.01	0.94	1.07
TM8E100C20MP11	XAFC60H	0.97	0.91	1.07
TM8E100C20MP11	XAHC60H	1.00	0.96	1.05
TM8E100C20MP11	XAHD60H	1.00	0.95	1.05
TM8E120C16MP11	XAHC60H	1.00	0.95	1.05
TM8E120C16MP11	XAHD60H	1.01	0.94	1.07
TM8E120C20MP11	XAFC60H	0.97	0.91	1.06
TM8E120C20MP11	XAHC60H	1.00	0.96	1.04
TM8E120C20MP11	XAHD60H	1.00	0.96	1.05
TM8E130D20MP11	XAHD60H	1.00	0.95	1.04
TM8V080C16MP12C	CF/CM64D	0.99	0.99	1.02
TM8V080C16MP12C	XAHC60H	1.00	0.95	1.05
TM8V080C16MP12C	XAHD60H	1.01	0.95	1.06
TM8V100C16MP12C	CF/CM64D	0.99	0.99	1.02
TM8V100C16MP12C	XAHC60H	1.00	0.95	1.05
TM8V100C16MP12C	XAHD60H	1.01	0.95	1.06
TM8V100C20MP12C	CF/CM64D	1.00	1.01	1.00
TM8V100C20MP12C	XAFC60H	0.97	0.91	1.06
TM8V100C20MP12C	XAHC60H	1.00	0.96	1.04
TM8V100C20MP12C	XAHD60H	1.01	0.94	1.07
TM8V120C20MP12C	CF/CM64D	1.00	1.01	1.00
TM8V120C20MP12C	XAFC60H	0.97	0.91	1.06
TM8V120C20MP12C	XAHC60H	1.00	0.96	1.04
TM8V120C20MP12C	XAHD60H	1.01	0.94	1.07
TM8X080C16MP11	CF/CM64D	0.97	0.98	1.05
TM8X100C16MP11	CF/CM64D	0.97	0.98	1.05
TM8X100C20MP11	CF/CM64D	1.00	1.01	1.00
TM8X120C20MP11	CF/CM64D	1.00	1.01	1.00
TM8Y080C16MP11	CF/CM64D	0.97	0.98	1.05

**FURNACE MULTIPLIERS - 4 TON (Continued)**

Furnaces	Coil	T.C.	S.C.	KW
TM8Y080C16MP11	XAHC60H	1.00	0.95	1.05
TM8Y080C16MP11	XAHD60H	1.00	0.95	1.05
TM8Y100C16MP11	CF/CM64D	0.97	0.98	1.05
TM8Y100C16MP11	XAHC60H	1.00	0.96	1.05
TM8Y100C16MP11	XAHD60H	1.00	0.95	1.05
TM8Y100C20MP11	CF/CM64D	1.00	1.01	1.00
TM8Y100C20MP11	XAHC60H	1.00	0.96	1.04
TM8Y100C20MP11	XAHD60H	1.00	0.95	1.05
TM8Y120C20MP11	CF/CM64D	1.00	1.01	1.00
TM8Y120C20MP11	XAHC60H	1.00	0.96	1.04
TM8Y120C20MP11	XAHD60H	1.00	0.95	1.05
TM9E080C16MP12	XAHC60H	1.01	0.96	1.06
TM9E080C16MP12	XAHD60H	1.01	0.95	1.07
TM9E080C20MP12	XAFC60H	0.97	0.90	1.07
TM9E080C20MP12	XAHC60H	1.00	0.96	1.04
TM9E080C20MP12	XAHD60H	1.00	0.96	1.04
TM9E100C16MP11	CF/CM64D	0.99	0.98	1.03
TM9E100C16MP12	XAHC60H	1.01	0.96	1.06
TM9E100C16MP12	XAHD60H	1.01	0.95	1.06
TM9E100C20MP11	CF/CM64D	0.99	0.99	1.02
TM9E100C20MP12	XAFC60H	0.97	0.91	1.07
TM9E100C20MP12	XAHC60H	1.00	0.96	1.04
TM9E100C20MP12	XAHD60H	1.00	0.96	1.05
TM9E120D20MP11	CF/CM64D	0.99	1.00	1.01
TM9E120D20MP12	XAHD60H	1.01	0.95	1.06
TM9V080C16MP12C	CF/CM64D	0.99	0.98	1.03
TM9V080C16MP12C	XAHC60H	1.01	0.94	1.07
TM9V080C16MP12C	XAHD60H	1.01	0.94	1.08
TM9V100C16MP12C	CF/CM64D	0.98	0.98	1.04
TM9V100C16MP12C	XAHC60H	1.01	0.95	1.07
TM9V100C16MP12C	XAHD60H	1.01	0.94	1.07
TM9V100C20MP12C	CF/CM64D	0.99	0.99	1.02
TM9V100C20MP12C	XAHC60H	1.01	0.96	1.05
TM9V100C20MP12C	XAHD60H	1.01	0.95	1.07
TM9V120D20MP12C	CF/CM64D	1.00	1.01	1.00
TM9V120D20MP12C	XAHD60H	1.00	0.95	1.06
TM9Y100C16MP11	CF/CM64D	0.99	0.98	1.03
TM9Y100C16MP11	XAHC60H	1.01	0.95	1.07
TM9Y100C16MP11	XAHD60H	1.01	0.94	1.08
TM9Y100C20MP11	CF/CM64D	0.99	0.99	1.02
TM9Y100C20MP11	XAHC60H	1.00	0.94	1.06
TM9Y100C20MP11	XAHD60H	1.00	0.94	1.07
TM9Y120D20MP11	CF/CM64D	0.99	1.00	1.01
TM9Y120D20MP11	XAHD60H	1.00	0.95	1.05



**FURNACE MULTIPLIERS - 4 TON (Continued)**

Furnaces	Coil	T.C.	S.C.	KW
TMLE080C16MP11	XAHC60H	1.01	0.94	1.07
TMLE080C16MP11	XAHD60H	1.00	0.96	1.05
TMLE080C20MP11	XAFC60H	0.97	0.91	1.06
TMLE080C20MP11	XAHC60H	1.00	0.96	1.04
TMLE080C20MP11	XAHD60H	1.00	0.95	1.05
TMLE100C16MP11	XAHC60H	1.01	0.94	1.07
TMLE100C16MP11	XAHD60H	1.01	0.94	1.07
TMLE100C20MP11	XAFC60H	0.97	0.91	1.07
TMLE100C20MP11	XAHC60H	1.00	0.96	1.05
TMLE100C20MP11	XAHD60H	1.00	0.95	1.05
TMLE120C16MP11	XAHC60H	1.00	0.95	1.05
TMLE120C16MP11	XAHD60H	1.01	0.94	1.07
TMLE120C20MP11	XAFC60H	0.97	0.91	1.06
TMLE120C20MP11	XAHC60H	1.00	0.96	1.04
TMLE120C20MP11	XAHD60H	1.00	0.96	1.05
TMLE130D20MP11	XAHD60H	1.00	0.95	1.04
TMLV080C16MP12C	CF/CM64D	0.99	0.99	1.02
TMLV100C16MP12C	CF/CM64D	0.99	0.99	1.02
TMLV100C16MP12C	XAHC60H	1.00	0.95	1.05
TMLV100C16MP12C	XAHD60H	1.01	0.95	1.06
TMLV100C20MP12C	CF/CM64D	1.00	1.01	1.00
TMLV120C20MP12C	CF/CM64D	1.00	1.01	1.00
TMLV120C20MP12C	XAFC60H	0.97	0.91	1.06
TMLV120C20MP12C	XAHC60H	1.00	0.96	1.04
TMLV120C20MP12C	XAHD60H	1.01	0.94	1.07
TMLX080C16MP11	CF/CM64D	0.97	0.98	1.05
TMLX100C16MP11	CF/CM64D	0.97	0.98	1.05
TMLX100C20MP11	CF/CM64D	1.00	1.01	1.00
TMLX120C20MP11	CF/CM64D	1.00	1.01	1.00
TP9C080C16MP13C	CF/CM64D	0.99	0.98	1.03
TP9C080C16MP13C	XAHC60H	1.01	0.94	1.07
TP9C080C16MP13C	XAHD60H	1.01	0.94	1.08
TP9C100C16MP13C	CF/CM64D	0.98	0.98	1.04
TP9C100C16MP13C	XAHC60H	1.01	0.95	1.07
TP9C100C16MP13C	XAHD60H	1.01	0.94	1.07
TP9C100C20MP13C	CF/CM64D	0.99	0.99	1.02
TP9C100C20MP13C	XAHC60H	1.01	0.96	1.05
TP9C100C20MP13C	XAHD60H	1.01	0.95	1.07
TP9C120D20MP13C	CF/CM64D	1.00	1.01	1.00
TP9C120D20MP13C	XAHD60H	1.00	0.95	1.06
TPLC080C16MP13C	CF/CM64D	0.99	0.99	1.02
TPLC080C16MP13C	XAHC60H	1.00	0.95	1.05
TPLC080C16MP13C	XAHD60H	1.01	0.95	1.06
TPLC100C16MP13C	CF/CM64D	0.99	0.99	1.02
TPLC100C16MP13C	XAHC60H	1.00	0.95	1.05
TPLC100C16MP13C	XAHD60H	1.01	0.95	1.06
TPLC100C20MP13C	CF/CM64D	1.00	1.01	1.00
TPLC100C20MP13C	XAFC60H	0.97	0.91	1.06
TPLC100C20MP13C	XAHC60H	1.00	0.96	1.04
TPLC100C20MP13C	XAHD60H	1.01	0.94	1.07
TPLC120C20MP13C	CF/CM64D	1.00	1.01	1.00
TPLC120C20MP13C	XAFC60H	0.97	0.91	1.06
TPLC120C20MP13C	XAHC60H	1.00	0.96	1.04
TPLC120C20MP13C	XAHD60H	1.01	0.94	1.07
YP9C080C16MP13C	CF/CM64D	0.99	0.98	1.03
YP9C080C16MP13C	XAHC60H	1.01	0.94	1.07
YP9C080C16MP13C	XAHD60H	1.01	0.94	1.08
YP9C100C16MP13C	CF/CM64D	0.98	0.98	1.04
YP9C100C16MP13C	XAHC60H	1.01	0.95	1.07

**FURNACE MULTIPLIERS - 4 TON (Continued)**

Furnaces	Coil	T.C.	S.C.	KW
YP9C100C16MP13C	XAHD60H	1.01	0.94	1.07
YP9C100C20MP13C	CF/CM64D	0.99	0.99	1.02
YP9C100C20MP13C	XAHC60H	1.01	0.96	1.05
YP9C100C20MP13C	XAHD60H	1.01	0.95	1.07
YP9C120D20MP13C	CF/CM64D	1.00	1.01	1.00
YP9C120D20MP13C	XAHD60H	1.00	0.95	1.06
YPLC080C16MP13C	CF/CM64D	0.99	0.99	1.02
YPLC080C16MP13C	XAHC60H	1.00	0.95	1.05
YPLC080C16MP13C	XAHD60H	1.01	0.95	1.06
YPLC100C16MP13C	CF/CM64D	0.99	0.99	1.02
YPLC100C16MP13C	XAHC60H	1.00	0.95	1.05
YPLC100C16MP13C	XAHD60H	1.01	0.95	1.06
YPLC100C20MP13C	CF/CM64D	1.00	1.01	1.00
YPLC100C20MP13C	XAFC60H	0.97	0.91	1.06
YPLC100C20MP13C	XAHC60H	1.00	0.96	1.04
YPLC100C20MP13C	XAHD60H	1.01	0.94	1.07
YPLC120C20MP13C	CF/CM64D	1.00	1.01	1.00
YPLC120C20MP13C	XAFC60H	0.97	0.91	1.06
YPLC120C20MP13C	XAHC60H	1.00	0.96	1.04
YPLC120C20MP13C	XAHD60H	1.01	0.94	1.07

**PERFORMANCE DATA - 5 TON**

<b>CONDENSER-ONLY DATA (OUTDOOR UNIT)</b>																
<b>MODEL</b>	<b>SATURATED SUCTION AT COMPRESSOR</b>		<b>Outdoor Ambient Temperature</b>													
			<b>65 °F</b>		<b>75 °F</b>		<b>85 °F</b>		<b>95 °F</b>		<b>105 °F</b>		<b>115 °F</b>		<b>125 °F</b>	
	<b>T (°F)</b>	<b>P (PSIG)</b>	<b>MBH</b>	<b>KW</b>	<b>MBH</b>	<b>KW</b>	<b>MBH</b>	<b>KW</b>	<b>MBH</b>	<b>KW</b>	<b>MBH</b>	<b>KW</b>	<b>MBH</b>	<b>KW</b>	<b>MBH</b>	<b>KW</b>
<b>YZT60B21S</b>	35	107.4	49.34	2.56	48.29	2.96	47.25	3.37	46.21	3.78	45.16	4.18	44.12	4.59	43.07	4.99
	40	118.6	56.98	2.63	54.83	3.03	52.68	3.44	50.53	3.84	48.38	4.24	46.23	4.64	44.08	5.05
	45	130.4	64.62	2.70	61.36	3.10	58.11	3.50	54.85	3.90	51.59	4.30	48.33	4.70	45.08	5.10
	50	143.0	72.26	2.78	67.90	3.17	63.53	3.57	59.17	3.96	54.81	4.36	50.44	4.76	46.08	5.15
	55	156.3	79.90	2.85	74.43	3.24	68.96	3.64	63.49	4.03	58.02	4.42	52.55	4.81	47.08	5.20
	60	170.3	87.55	2.93	80.97	3.31	74.39	3.70	67.81	4.09	61.24	4.48	54.66	4.87	48.08	5.26

**Notes:**

1. For Outdoor Unit (Condenser) performance only. Data does not include the effects of air handler power or heat.
2. Performance based on 15°F subcooling and 15°F superheat at the Outdoor Unit base valves.
  - a. Increase capacity by 1% for each 2°F increase in subcooling.
  - b. Decrease capacity by 1% for each 2°F decrease in subcooling.
3. Maximum recommended condensing temperature is 140°F.

<b>COOLING PERFORMANCE DATA</b>																	
<b>AIR CONDITIONER MODEL NO.</b>		<b>YZT60B21S</b>															
<b>AIR TEMPERATURE ENTERING OUTDOOR UNIT (°F)</b>	<b>IDCFM</b>	<b>1500</b>					<b>1800</b>					<b>2100</b>					
		<b>ID DB (°F)</b>	<b>80</b>	<b>80</b>	<b>75</b>	<b>80</b>	<b>80</b>	<b>80</b>	<b>80</b>	<b>75</b>	<b>80</b>	<b>80</b>	<b>80</b>	<b>80</b>	<b>75</b>	<b>80</b>	<b>80</b>
		<b>ID WB (°F)</b>	<b>57</b>	<b>62</b>	<b>62</b>	<b>67</b>	<b>72</b>	<b>57</b>	<b>62</b>	<b>62</b>	<b>67</b>	<b>72</b>	<b>57</b>	<b>62</b>	<b>62</b>	<b>67</b>	<b>72</b>
<b>65</b>	<b>T.C.</b>	54.1	58.3	57.7	60.2	63.5	56.4	59.7	58.8	61.1	57.5	58.8	61.1	59.8	62.1	51.5	
	<b>S.C.</b>	54.1	47.7	39.8	38.5	31.0	56.4	50.6	41.7	40.1	28.0	58.8	53.5	43.6	41.7	25.1	
	<b>KW</b>	3.02	3.02	3.04	3.03	3.06	3.13	3.14	3.14	3.15	2.66	3.24	3.26	3.25	3.26	2.25	
<b>75</b>	<b>T.C.</b>	53.0	56.8	56.6	60.2	64.5	55.8	58.4	58.0	61.6	62.1	58.6	60.1	59.4	62.9	59.8	
	<b>S.C.</b>	53.0	47.3	39.8	38.7	30.7	55.8	51.0	42.5	41.0	30.3	58.6	54.8	45.3	43.3	29.8	
	<b>KW</b>	3.30	3.33	3.33	3.36	3.39	3.43	3.46	3.45	3.48	3.24	3.55	3.58	3.57	3.60	3.10	
<b>85</b>	<b>T.C.</b>	51.9	55.3	55.5	60.3	65.4	55.1	57.2	57.3	62.0	66.8	58.3	59.2	59.0	63.8	68.1	
	<b>S.C.</b>	51.9	47.0	39.9	38.9	30.4	55.1	51.5	43.4	42.0	32.5	58.3	56.1	46.9	45.0	34.6	
	<b>KW</b>	3.58	3.64	3.62	3.69	3.71	3.72	3.77	3.75	3.82	3.83	3.86	3.90	3.88	3.94	3.95	
<b>95</b>	<b>T.C.</b>	49.7	52.9	52.8	57.9	62.9	52.8	54.8	54.6	59.7	64.5	56.0	56.6	56.3	61.4	66.1	
	<b>S.C.</b>	49.7	46.1	38.7	38.2	29.7	52.8	50.8	42.2	41.5	31.8	56.0	55.4	45.8	44.8	33.9	
	<b>KW</b>	4.00	4.05	4.02	4.09	4.11	4.13	4.17	4.15	4.21	4.23	4.26	4.29	4.27	4.34	4.35	
<b>105</b>	<b>T.C.</b>	47.6	50.6	50.2	55.6	60.4	50.6	52.3	51.9	57.3	62.3	53.6	54.0	53.6	59.0	64.2	
	<b>S.C.</b>	47.6	45.3	37.5	37.5	29.0	50.6	50.0	41.0	41.0	31.0	53.6	54.0	44.6	44.6	33.1	
	<b>KW</b>	4.41	4.45	4.42	4.49	4.50	4.53	4.57	4.54	4.61	4.62	4.66	4.69	4.66	4.73	4.74	
<b>115</b>	<b>T.C.</b>	45.4	48.0	47.7	52.7	57.4	48.2	49.7	49.3	54.4	59.3	51.1	51.4	50.8	56.0	61.2	
	<b>S.C.</b>	45.4	43.6	36.3	36.0	27.9	48.2	48.0	39.8	39.5	30.0	51.1	51.4	43.2	43.0	32.0	
	<b>KW</b>	4.84	4.87	4.85	4.92	4.93	4.97	4.99	4.97	5.04	5.05	5.10	5.11	5.09	5.15	5.17	
<b>125</b>	<b>T.C.</b>	43.1	45.4	45.3	49.9	54.5	45.9	47.1	46.7	51.4	56.4	48.6	48.7	48.1	53.0	58.2	
	<b>S.C.</b>	43.1	42.0	35.1	34.6	26.9	45.9	46.0	38.5	38.1	29.0	48.6	48.7	41.8	41.5	31.0	
	<b>KW</b>	5.28	5.30	5.27	5.34	5.36	5.40	5.42	5.39	5.46	5.48	5.53	5.54	5.51	5.58	5.60	

**NOTE:** ALL CAPACITIES INCLUDE INDOOR FAN HEAT. KW VALUES ARE FOR THE SYSTEM (OUTDOOR + INDOOR).

Green shaded cells are ACCA (TVA) conditions.

Blue shaded cells are AHRI conditions.

**Multipliers for determining the performance with other indoor sections.**

**NOTE:** For dry bulb temperatures different than those listed (between 73-87 °F), sensible capacity increases by 1060 BTUH per 1000 CFM per degree above the listed temperature and decreases by 1060 BTUH per 1000 CFM per degree below the listed temperature.

**COIL MULTIPLIERS - 5 TON**

Air Handler	Coil	T.C.	S.C.	KW
AE60DX21	—	1.00	1.05	1.00
AVC60DX21	—	1.00	1.06	1.04
ME20DN21	CF/CM64D	1.01	1.07	1.01
ME20DN21	XAFD60J	0.94	0.86	1.07
ME20DN21	XAHD60J	0.96	1.02	1.07
ME20DN41	XAFD60J	0.93	0.86	1.07
ME20DN41	XAHD60J	0.95	0.88	1.08
MVC20DN21	CF/CM64D	1.00	1.00	1.00
MVC20DN21	XAFD60J	0.94	0.86	1.07
MVC20DN21	XAHD60J	0.95	1.01	1.08

**FURNACE MULTIPLIERS - 5 TON**

Furnaces	Coil	T.C.	S.C.	KW
TL8E080C16UH11	XAFD60J	0.94	0.91	1.10
TL8E100C20UH11	XAFD60J	0.94	0.91	1.08
TL8E100C20UH11	XAHD60J	0.95	1.00	1.09
TL9E100C20UH11	XAFD60J	0.93	0.90	1.08
TL9E100C20UH11	XAHD60J	0.95	1.00	1.09
TM8E080C16MP11	XAFD60J	0.93	0.90	1.09
TM8E080C20MP11	XAFD60J	0.93	0.87	1.09
TM8E080C20MP11	XAHD60J	0.96	1.01	1.09
TM8E100C16MP11	XAFD60J	0.93	0.90	1.09
TM8E100C20MP11	XAFD60J	0.93	0.87	1.10
TM8E100C20MP11	XAHD60J	0.96	1.02	1.09
TM8E120C16MP11	XAFD60J	0.93	0.90	1.09
TM8E120C20MP11	XAFD60J	0.93	0.87	1.08
TM8E120C20MP11	XAHD60J	0.96	1.02	1.08
TM8E130D20MP11	XAFD60J	0.93	0.87	1.10
TM8E130D20MP11	XAHD60J	0.96	1.02	1.10
TM8V100C20MP12C	CF/CM64D	1.00	1.05	1.04
TM8V100C20MP12C	XAFD60J	0.92	0.86	1.10
TM8V100C20MP12C	XAHD60J	0.96	1.02	1.09
TM8V120C20MP12C	CF/CM64D	1.00	1.05	1.04
TM8V120C20MP12C	XAFD60J	0.92	0.86	1.10
TM8X100C20MP11	CF/CM64D	1.00	1.05	1.04
TM8X120C20MP11	CF/CM64D	1.00	1.05	1.04
TM8Y080C16MP11	XAFD60J	0.94	0.91	1.10
TM8Y100C16MP11	XAFD60J	0.94	0.91	1.10
TM8Y100C20MP11	CF/CM64D	1.00	1.05	1.04
TM8Y100C20MP11	XAFD60J	0.94	0.91	1.07
TM8Y100C20MP11	XAHD60J	0.96	1.01	1.09
TM8Y120C20MP11	CF/CM64D	1.00	1.05	1.04
TM8Y120C20MP11	XAFD60J	0.94	0.91	1.07
TM8Y120C20MP11	XAHD60J	0.96	1.01	1.09
TM9E080C20MP12	XAFD60J	0.93	0.87	1.09
TM9E080C20MP12	XAHD60J	0.95	1.00	1.11
TM9E100C20MP11	CF/CM64D	0.99	1.05	1.05
TM9E100C20MP12	XAFD60J	0.93	0.88	1.09
TM9E100C20MP12	XAHD60J	0.96	1.02	1.09
TM9E120D20MP11	CF/CM64D	1.00	1.05	1.04
TM9E120D20MP12	XAFD60J	0.93	0.87	1.10

**FURNACE MULTIPLIERS - 5 TON (Continued)**

Furnaces	Coil	T.C.	S.C.	KW
TM9E120D20MP12	XAHD60J	0.95	1.00	1.10
TM9V100C16MP12C	XAFD60J	0.93	0.90	1.10
TM9V100C20MP12C	CF/CM64D	1.00	1.06	1.06
TM9V100C20MP12C	XAFD60J	0.93	0.89	1.10
TM9V100C20MP12C	XAHD60J	0.95	1.00	1.11
TM9V120D20MP12C	CF/CM64D	1.00	1.05	1.04
TM9V120D20MP12C	XAFD60J	0.93	0.87	1.10
TM9V120D20MP12C	XAHD60J	0.95	1.01	1.10
TM9Y100C20MP11	CF/CM64D	0.99	1.05	1.05
TM9Y100C20MP11	XAFD60J	0.94	0.91	1.09
TM9Y100C20MP11	XAHD60J	0.96	1.01	1.11
TM9Y120D20MP11	CF/CM64D	1.00	1.05	1.04
TM9Y120D20MP11	XAFD60J	0.93	0.90	1.08
TM9Y120D20MP11	XAHD60J	0.95	1.01	1.10
TMLE080C16MP11	XAFD60J	0.93	0.90	1.09
TMLE080C20MP11	XAFD60J	0.93	0.87	1.09
TMLE080C20MP11	XAHD60J	0.96	1.01	1.09
TMLE100C16MP11	XAFD60J	0.93	0.90	1.09
TMLE100C20MP11	XAFD60J	0.93	0.87	1.10
TMLE100C20MP11	XAHD60J	0.96	1.02	1.09
TMLE120C16MP11	XAFD60J	0.93	0.90	1.09
TMLE120C20MP11	XAFD60J	0.93	0.87	1.08
TMLE120C20MP11	XAHD60J	0.96	1.02	1.08
TMLE130D20MP11	XAFD60J	0.93	0.87	1.10
TMLE130D20MP11	XAHD60J	0.96	1.02	1.10
TMLV100C20MP12C	CF/CM64D	1.00	1.05	1.04
TMLV120C20MP12C	CF/CM64D	1.00	1.05	1.04
TMLV120C20MP12C	XAFD60J	0.92	0.86	1.10
TMLX100C20MP11	CF/CM64D	1.00	1.05	1.04
TMLX120C20MP11	CF/CM64D	1.00	1.05	1.04
TP9C100C16MP13C	XAFD60J	0.93	0.90	1.10
TP9C100C20MP13C	CF/CM64D	1.00	1.06	1.06
TP9C100C20MP13C	XAFD60J	0.93	0.89	1.10
TP9C100C20MP13C	XAHD60J	0.95	1.00	1.11
TP9C120D20MP13C	CF/CM64D	1.00	1.05	1.04
TP9C120D20MP13C	XAFD60J	0.93	0.87	1.10
TP9C120D20MP13C	XAHD60J	0.95	1.01	1.10
TPLC100C20MP13C	CF/CM64D	1.00	1.05	1.04
TPLC100C20MP13C	XAFD60J	0.92	0.86	1.10
TPLC120C20MP13C	CF/CM64D	1.00	1.05	1.04
TPLC120C20MP13C	XAFD60J	0.92	0.86	1.10
YP9C100C16MP13C	XAFD60J	0.93	0.90	1.10
YP9C100C20MP13C	CF/CM64D	1.00	1.06	1.06
YP9C100C20MP13C	XAFD60J	0.93	0.89	1.10
YP9C100C20MP13C	XAHD60J	0.95	1.00	1.11
YP9C120D20MP13C	CF/CM64D	1.00	1.05	1.04
YP9C120D20MP13C	XAFD60J	0.93	0.87	1.10
YP9C120D20MP13C	XAHD60J	0.95	1.01	1.10
YPLC100C20MP13C	CF/CM64D	1.00	1.05	1.04
YPLC100C20MP13C	XAFD60J	0.92	0.86	1.10
YPLC120C20MP13C	CF/CM64D	1.00	1.05	1.04
YPLC120C20MP13C	XAFD60J	0.92	0.86	1.10

HEATING PERFORMANCE DATA										
CONDENSING UNIT MODEL NO			YZT60B21S							
AIR TEMPERATURE ENTERING OUTDOOR UNIT (°F)	AIR TEMPERATURE ENTERING INDOOR COIL (°F)	ID CFM								
		1500			1800			2100		
		MBH	COP	KW	MBH	COP	KW	MBH	COP	KW
60	60	70.6	4.63	4.47	72.1	4.86	4.35	73.6	5.10	4.23
	70	69.4	4.14	4.91	70.7	4.34	4.77	72.0	4.56	4.63
	80	68.3	3.74	5.35	69.3	3.91	5.19	70.4	4.10	5.03
47	60	60.3	4.09	4.31	61.5	4.29	4.20	62.7	4.49	4.09
	70	58.0	3.56	4.77	59.5	3.75	4.64	60.9	3.95	4.52
	80	55.8	3.12	5.23	57.4	3.31	5.09	59.1	3.50	4.95
40	60	53.8	3.80	4.15	54.8	3.95	4.06	55.8	4.11	3.98
	70	52.4	3.34	4.59	53.2	3.48	4.48	54.1	3.63	4.37
	80	50.9	2.97	5.03	51.7	3.09	4.90	52.4	3.23	4.76
30	60	47.3	3.45	4.01	48.1	3.57	3.95	48.9	3.68	3.89
	70	46.0	3.05	4.42	46.7	3.14	4.36	47.3	3.23	4.29
	80	44.7	2.72	4.82	45.2	2.78	4.76	45.7	2.85	4.70
17	60	35.2	2.72	3.80	38.8	2.96	3.84	42.3	3.19	3.89
	70	36.8	2.56	4.21	39.0	2.76	4.14	41.3	2.97	4.07
	80	38.4	2.43	4.63	39.3	2.60	4.44	40.2	2.77	4.25
10	60	29.9	2.38	3.67	34.2	2.67	3.75	38.54	2.95	3.83
	70	32.7	2.32	4.12	34.9	2.47	4.14	37.1	2.61	4.17
	80	35.5	2.28	4.56	35.6	2.30	4.54	35.7	2.32	4.51
0	60	24.8	2.24	3.24	28.4	2.51	3.31	32.0	2.77	3.38
	70	27.1	2.19	3.64	29.0	2.32	3.66	30.8	2.45	3.68
	80	29.4	2.14	4.03	29.5	2.16	4.00	29.6	2.18	3.98
-10	60	15.2	1.46	3.05	17.5	1.64	3.12	19.7	1.81	3.18
	70	16.7	1.43	3.42	17.8	1.51	3.44	18.9	1.60	3.46
	80	18.1	1.40	3.79	18.1	1.41	3.77	18.2	1.42	3.75
-20	60	9.3	0.94	2.89	10.6	1.05	2.95	12.0	1.16	3.01
	70	10.1	0.91	3.24	10.8	0.97	3.26	11.5	1.03	3.28
	80	11.0	0.90	3.59	11.0	0.90	3.57	11.1	0.91	3.55

**NOTE:** ALL CAPACITIES INCLUDE INDOOR FAN HEAT. KW VALUES ARE FOR THE SYSTEM (OUTDOOR + INDOOR).

Yellow shaded cells are AHRI High Heating conditions.

Orange shaded cells are AHRI Low Heating conditions.

### Multipliers for determining the performance with other indoor sections.

#### COIL MULTIPLIERS - 5 TON

Air Handler	Coil	MBH	COP	KW
AE60DX21	—	1.00	1.02	0.98
AVC60DX21	—	1.00	1.01	0.99
ME20DN21	CF/CM64D	1.00	1.03	0.97
ME20DN21	XAFD60J	0.96	0.96	1.00
ME20DN21	XAHD60J	1.00	1.01	0.99
ME20DN41	XAFD60J	0.96	0.96	1.00
ME20DN41	XAHD60J	0.97	0.89	1.09
MVC20DN21	CF/CM64D	1.00	1.00	1.00
MVC20DN21	XAFD60J	0.96	0.96	1.00
MVC20DN21	XAHD60J	0.99	0.98	1.00

#### FURNACE MULTIPLIERS - 5 TON

Furnaces	Coil	T.C.	S.C.	KW
TL8E080C16UH11	XAFD60J	0.98	0.96	1.02
TL8E100C20UH11	XAFD60J	0.97	0.96	1.01
TL8E100C20UH11	XAHD60J	1.01	1.00	1.01

#### FURNACE MULTIPLIERS - 5 TON (Continued)

Furnaces	Coil	T.C.	S.C.	KW
TL9E100C20UH11	XAFD60J	0.97	0.96	1.01
TL9E100C20UH11	XAHD60J	1.01	1.00	1.01
TM8E080C16MP11	XAFD60J	0.98	0.95	1.02
TM8E080C20MP11	XAFD60J	0.97	0.95	1.03
TM8E080C20MP11	XAHD60J	1.01	1.01	1.01
TM8E100C16MP11	XAFD60J	0.98	0.95	1.02
TM8E100C20MP11	XAFD60J	0.97	0.94	1.03
TM8E100C20MP11	XAHD60J	1.02	1.01	1.01
TM8E120C16MP11	XAFD60J	0.98	0.96	1.02
TM8E120C20MP11	XAFD60J	0.97	0.95	1.03
TM8E120C20MP11	XAHD60J	1.02	1.01	1.01
TM8E130D20MP11	XAFD60J	0.97	0.94	1.03
TM8E130D20MP11	XAHD60J	1.01	1.00	1.01
TM8V100C20MP12C	CF/CM64D	1.00	1.00	1.00
TM8V100C20MP12C	XAFD60J	0.97	0.94	1.03
TM8V100C20MP12C	XAHD60J	1.02	1.00	1.01
TM8V120C20MP12C	CF/CM64D	1.00	1.00	1.00

**FURNACE MULTIPLIERS - 5 TON (Continued)**

Furnaces	Coil	T.C.	S.C.	KW
TM8V120C20MP12C	XAFD60J	0.97	0.94	1.03
TM8X100C20MP11	CF/CM64D	1.00	1.00	1.00
TM8X120C20MP11	CF/CM64D	1.00	1.00	1.00
TM8Y080C16MP11	XAFD60J	0.98	0.96	1.02
TM8Y100C16MP11	XAFD60J	0.98	0.96	1.02
TM8Y100C20MP11	CF/CM64D	1.00	1.00	1.00
TM8Y100C20MP11	XAFD60J	0.98	0.97	1.01
TM8Y100C20MP11	XAHD60J	1.01	1.01	1.01
TM8Y120C20MP11	CF/CM64D	1.00	1.00	1.00
TM8Y120C20MP11	XAFD60J	0.98	0.97	1.01
TM8Y120C20MP11	XAHD60J	1.01	1.01	1.01
TM9E080C20MP12	XAFD60J	0.97	0.95	1.03
TM9E080C20MP12	XAHD60J	1.01	0.98	1.03
TM9E100C20MP11	CF/CM64D	0.99	0.98	1.02
TM9E100C20MP12	XAFD60J	0.98	0.95	1.03
TM9E100C20MP12	XAHD60J	1.02	1.01	1.01
TM9E120D20MP11	CF/CM64D	0.99	1.00	1.01
TM9E120D20MP12	XAFD60J	0.97	0.94	1.03
TM9E120D20MP12	XAHD60J	1.02	0.99	1.03
TM9V100C16MP12C	XAFD60J	0.98	0.95	1.03
TM9V100C20MP12C	CF/CM64D	0.99	0.99	1.01
TM9V100C20MP12C	XAFD60J	0.98	0.95	1.03
TM9V100C20MP12C	XAHD60J	1.02	0.99	1.03
TM9V120D20MP12C	CF/CM64D	0.99	1.00	1.01
TM9V120D20MP12C	XAFD60J	0.97	0.94	1.02
TM9V120D20MP12C	XAHD60J	1.01	0.99	1.02
TM9Y100C20MP11	CF/CM64D	0.99	0.98	1.02
TM9Y100C20MP11	XAFD60J	0.98	0.96	1.02
TM9Y100C20MP11	XAHD60J	1.01	0.99	1.02
TM9Y120D20MP11	CF/CM64D	0.99	1.00	1.01
TM9Y120D20MP11	XAFD60J	0.98	0.96	1.01
TM9Y120D20MP11	XAHD60J	1.01	1.00	1.02
TMLE080C16MP11	XAFD60J	0.98	0.95	1.02
TMLE080C20MP11	XAFD60J	0.97	0.95	1.03
TMLE080C20MP11	XAHD60J	1.01	1.01	1.01
TMLE100C16MP11	XAFD60J	0.98	0.95	1.02
TMLE100C20MP11	XAFD60J	0.97	0.94	1.03
TMLE100C20MP11	XAHD60J	1.02	1.01	1.01
TMLE120C16MP11	XAFD60J	0.98	0.96	1.02
TMLE120C20MP11	XAFD60J	0.97	0.95	1.03
TMLE120C20MP11	XAHD60J	1.02	1.01	1.01
TMLE130D20MP11	XAFD60J	0.97	0.94	1.03
TMLE130D20MP11	XAHD60J	1.01	1.00	1.01
TMLV100C20MP12C	CF/CM64D	1.00	1.00	1.00
TMLV120C20MP12C	CF/CM64D	1.00	1.00	1.00
TMLV120C20MP12C	XAFD60J	0.97	0.94	1.03
TMLX100C20MP11	CF/CM64D	1.00	1.00	1.00
TMLX120C20MP11	CF/CM64D	1.00	1.00	1.00
TP9C100C16MP13C	XAFD60J	0.98	0.95	1.03
TP9C100C20MP13C	CF/CM64D	0.99	0.99	1.01
TP9C100C20MP13C	XAFD60J	0.98	0.95	1.03
TP9C100C20MP13C	XAHD60J	1.02	0.99	1.03
TP9C120D20MP13C	CF/CM64D	0.99	1.00	1.01

**FURNACE MULTIPLIERS - 5 TON (Continued)**

Furnaces	Coil	T.C.	S.C.	KW
TP9C120D20MP13C	XAFD60J	0.97	0.94	1.02
TP9C120D20MP13C	XAHD60J	1.01	0.99	1.02
TPLC100C20MP13C	CF/CM64D	1.00	1.00	1.00
TPLC100C20MP13C	XAFD60J	0.97	0.94	1.03
TPLC120C20MP13C	CF/CM64D	1.00	1.00	1.00
TPLC120C20MP13C	XAFD60J	0.97	0.94	1.03
YP9C100C16MP13C	XAFD60J	0.98	0.95	1.03
YP9C100C20MP13C	CF/CM64D	0.99	0.99	1.01
YP9C100C20MP13C	XAFD60J	0.98	0.95	1.03
YP9C100C20MP13C	XAHD60J	1.02	0.99	1.03
YP9C120D20MP13C	CF/CM64D	0.99	1.00	1.01
YP9C120D20MP13C	XAFD60J	0.97	0.94	1.02
YP9C120D20MP13C	XAHD60J	1.01	0.99	1.02
YPLC100C20MP13C	CF/CM64D	1.00	1.00	1.00
YPLC100C20MP13C	XAFD60J	0.97	0.94	1.03
YPLC120C20MP13C	CF/CM64D	1.00	1.00	1.00
YPLC120C20MP13C	XAFD60J	0.97	0.94	1.03