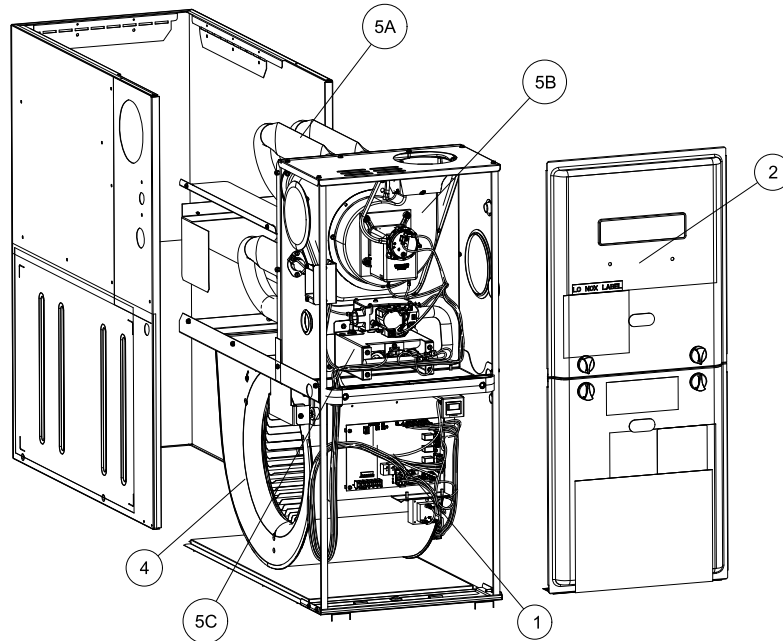


## RL18 SERIES-80% LONOX SS STD ECM FURNACE OTC

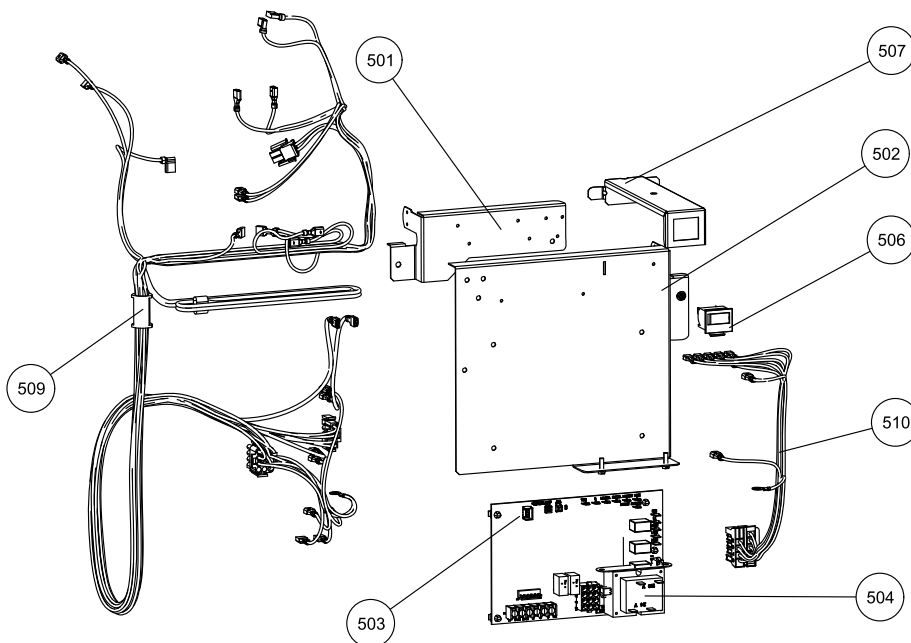
## REPAIR PARTS LIST

PRINTED DATE: 1/27/2025

The information provided to you may include Johnson Controls' trade secrets, intellectual property, and confidential business information (including its Bill of Materials), and this information is to be kept in the strictest confidence and not to be disclosed to any third party without the prior written consent of Johnson Controls.



Section	Description
1	ELECTRICAL BOX / CONTROLS
2	SHEET METAL / CABINET PARTS
4	INDOOR BLOWER PARTS
5A	HEAT EXCHANGER
5B	BURNER ASSEMBLY
5C	INDUCED DRAFT ASSEMBLY COMPONENTS
8	MISCELLANEOUS
9	WIRING DIAGRAM / VFD PARAMETER



**Section : ELECTRICAL BOX / CONTROLS**

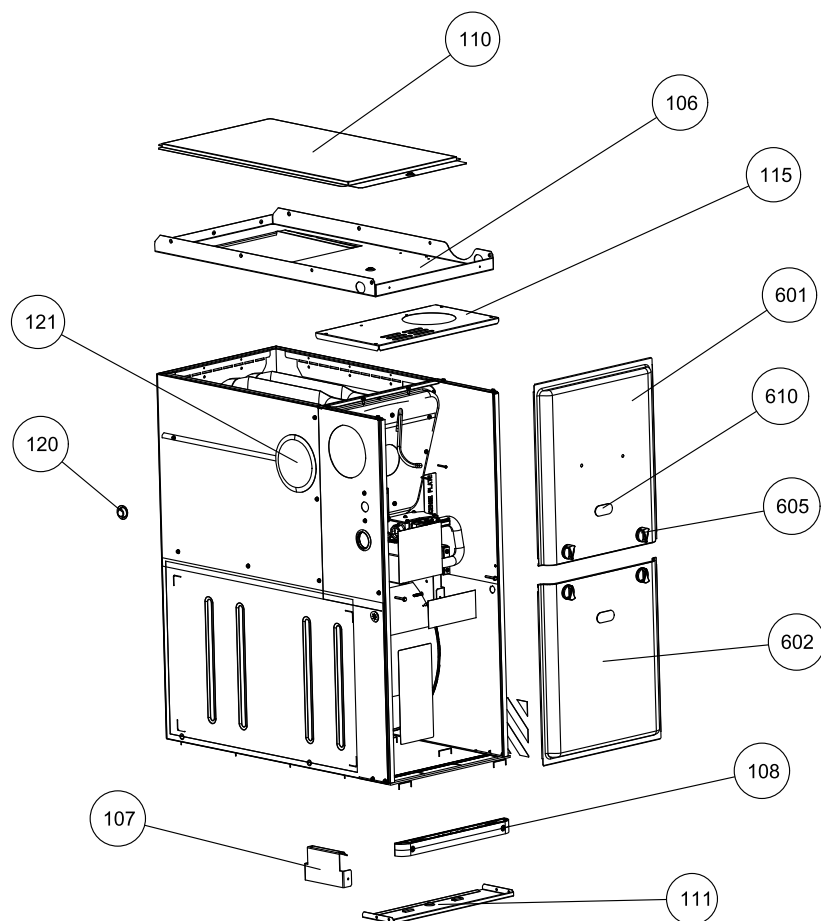
Section	Callout	Replacement Part #	Description	Original Part #	RL18040 A12MPS1	RL18060 A12MPS1	RL18080 B12MPS1	RL18080 C16MPS1	RL18080 C20MPS1
1	501	S1-37347226001	PNL,CONTROL,ASSEM,LT AND RT PANEL	S1-37347226001	1	1	1	1	1
1	502	S1-37347226001	PNL,CONTROL,ASSEM,LT AND RT PANEL	S1-37347226001	1	1	1	1	1
1	503	S1-03103882000	BOARD,CIRCUIT,MAIN,FURN,80 PERCENT SS	S1-03103882000	1	1	1	1	1
1	504	S1-2940A3541	TRNSF,120V,24V/40VA,50/60HZ	S1-2940A3541	1	1	1	1	1
1	505	S1-02435604000	KIT,CHOKE,ECM 12.00A	S1-02435604000					1
1	506	S1-02442182000	SWITCH,ROCKER,DOOR	S1-02442182000	1	1	1	1	1
1	507	S1-07348800001	BRACKET,DOOR SWITCH	S1-07348800001	1	1	1	1	1
1	509	S1-02552094000	HRNS,MAIN,WIRING,FURN,80 PCT SS,C-D CAB	S1-02552094000				1	1
1	509	S1-02553154000	HRNS,MAIN,WIRING,FURN,80 PCT SS,A-B CAB	S1-02553154000	1	1	1		
1	510	S1-02553155000	HARNESS,BLOWER MOTOR	S1-02553155000	1	1	1	1	1

Section	Callout	Replacement Part #	Description	Original Part #	RL18100 B12MPS1	RL18100 C16MPS1	RL18100 C20MPS1	RL18120 C16MPS1	RL18120 C20MPS1
1	501	S1-37347226001	PNL,CONTROL,ASSEM,LT AND RT PANEL	S1-37347226001	1	1	1	1	1
1	502	S1-37347226001	PNL,CONTROL,ASSEM,LT AND RT PANEL	S1-37347226001	1	1	1	1	1

1	503	S1-03103882000	BOARD,CIRCUIT,MAIN,FURN,80 PERCENT SS	S1-03103882000	1	1	1	1	1
1	504	S1-2940A3541	TRNSF,120V,24V/40VA,50/60HZ	S1-2940A3541	1	1	1	1	1
1	505	S1-02435604000	KIT,CHOKE,ECM 12.00A	S1-02435604000		1	1	1	1
1	506	S1-02442182000	SWITCH,ROCKER,DOOR	S1-02442182000	1	1	1	1	1
1	507	S1-07348800001	BRACKET,DOOR SWITCH	S1-07348800001	1	1	1	1	1
1	509	S1-02552094000	HRNS,MAIN,WIRING,FURN,80 PCT SS,C-D CAB	S1-02552094000		1	1	1	1
1	509	S1-02553154000	HRNS,MAIN,WIRING,FURN,80 PCT SS,A-B CAB	S1-02553154000	1				
1	510	S1-02553155000	HARNESS,BLOWER MOTOR	S1-02553155000	1	1	1	1	1

Section	Callout	Replacement Part #	Description	Original Part #	RL18130 D20MPS1				
1	501	S1-37347226001	PNL,CONTROL,ASSEM,LT AND RT PANEL	S1-37347226001	1				
1	502	S1-37347226001	PNL,CONTROL,ASSEM,LT AND RT PANEL	S1-37347226001	1				
1	503	S1-03103882000	BOARD,CIRCUIT,MAIN,FURN,80 PERCENT SS	S1-03103882000	1				
1	504	S1-2940A3541	TRNSF,120V,24V/40VA,50/60HZ	S1-2940A3541	1				
1	505	S1-02435604000	KIT,CHOKE,ECM 12.00A	S1-02435604000	1				
1	506	S1-02442182000	SWITCH,ROCKER,DOOR	S1-02442182000	1				
1	507	S1-07348800001	BRACKET,DOOR SWITCH	S1-07348800001	1				
1	509	S1-02552094000	HRNS,MAIN,WIRING,FURN,80 PCT SS,C-D CAB	S1-02552094000	1				
1	510	S1-02553155000	HARNESS,BLOWER MOTOR	S1-02553155000	1				

Suggested stocking items are shown with shaded item number.



## Section : SHEET METAL / CABINET PARTS

Section	Callout	Replacement Part #	Description	Original Part #	RL18040 A12MPS1	RL18060 A12MPS1	RL18080 B12MPS1	RL18080 C16MPS1	RL18080 C20MPS1
2	106	S1-07347221001	PNL,BLW DECK,FURNACE,A-CABINET	S1-07347221001	1	1			
2	106	S1-07347222001	PNL,BLW DECK,FURNACE,B-CABINET	S1-07347222001			1		
2	106	S1-07347223001	PNL,BLW DECK,FURNACE,C-CABINET,4T	S1-07347223001				1	
2	106	S1-07347224001	PNL,BLW DECK,FURNACE,C-CABINET,5T	S1-07347224001					1
2	107	S1-07348802001	BRACKET,BLOWER TRACK	S1-07348802001	2	2	2	2	2
2	108	S1-02818895000	BRACKET,DOOR,FURNACE,A-CABINET	S1-02818895000	1	1	1		
2	108	S1-02818897000	BRACKET,DOOR,FURNACE,C-CABINET	S1-02818897000				1	1
2	110	S1-07327827001	PNL,BLOCKOFF 14.5 INCH CABINET	S1-07327827001	1	1			
2	110	S1-07327827002	PNL,BLOCKOFF 17.5 INCH CABINET	S1-07327827002			1		
2	110	S1-07327827003	PNL,BLOCKOFF 21 INCH CABINET	S1-07327827003				1	1
2	111	S1-07327841001	CASING,BOTTOM,14.5 INCH,CHAMPAGNE	S1-07327841001	1	1			
2	111	S1-07327841002	CASING,BOTTOM,17.5 INCH,CHAMPAGNE	S1-07327841002			1		
2	111	S1-07327841003	CASING,BOTTOM,21.5 INCH,CHAMPAGNE	S1-07327841003				1	1
2	115	S1-07327828001	PNL, TOP 14.5 INCH CABINET	S1-07327828001	1	1			

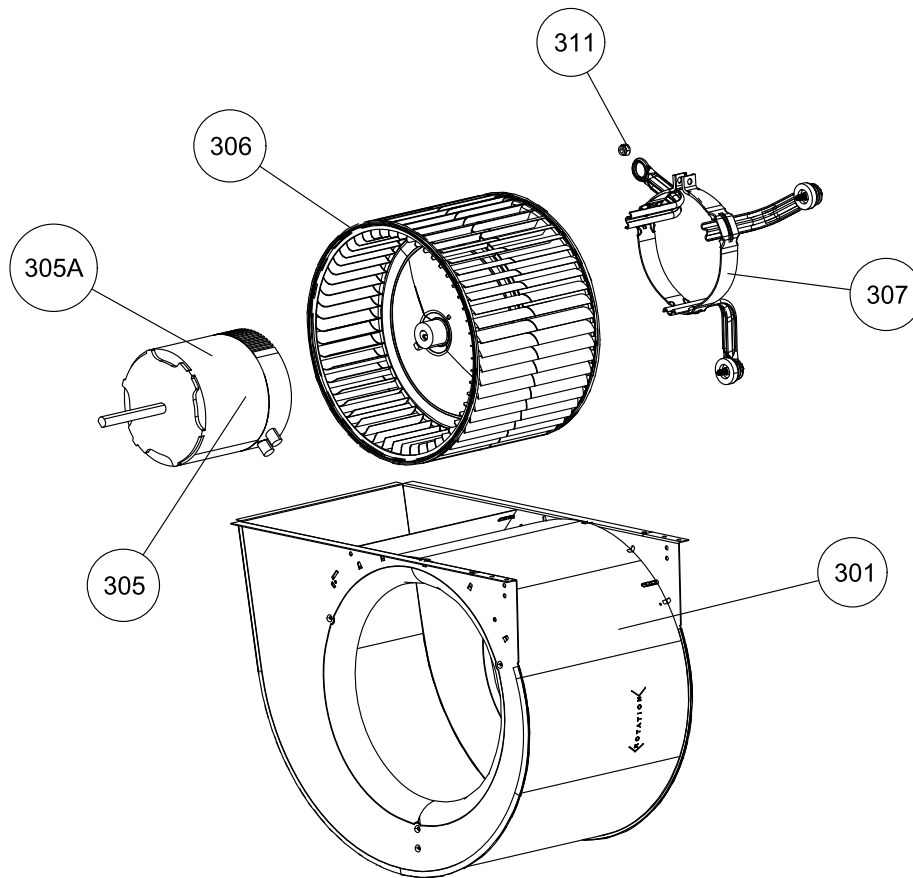
2	115	S1-07327828002	PNL, TOP 17.5 INCH CABINET	S1-07327828002			1		
2	115	S1-07327828003	PNL, TOP 80/100 21 INCH CABINET	S1-07327828003				1	1
2	120	S1-02815853000	PLUG, SEAL 7/8 INCH HOLE BLACK	S1-02815853000	2	2	2	2	2
2	121	S1-02815516000	PLUG, VENT HOLE	S1-02815516000	2	2	2	2	2
2	601	S1-37339583000	DOOR, UPPER ASSEM, 14.5, SMOOTH GRANITE	S1-37339583000	1	1			
2	601	S1-37339584000	DOOR, UPPER ASSEM, 17.5, SMOOTH GRANITE	S1-37339584000			1		
2	601	S1-37339585000	DOOR, UPPER ASSEM, 21.0, SMOOTH GRANITE	S1-37339585000				1	1
2	602	S1-37339569000	DOOR ASSEM, 14.5, SMOOTH GRANITE	S1-37339569000	1	1			
2	602	S1-37339570000	DOOR ASSEM, 17.5, SMOOTH GRANITE	S1-37339570000			1		
2	602	S1-37339571000	DOOR ASSEM, 21.0, SMOOTH GRANITE	S1-37339571000				1	1
2	605	S1-02818916000	KNOB, ASSY, HANDLE/LATCH	S1-02818916000	2	2	2	2	2
2	606	S1-02818916000	KNOB, ASSY, HANDLE/LATCH	S1-02818916000	2	2	2	2	2
2	610	S1-02538899000	SIGHT GLASS OVAL	S1-02538899000	1	1	1	1	1

Section	Callout	Replacement Part #	Description	Original Part #	RL18100 B12MPS1	RL18100 C16MPS1	RL18100 C20MPS1	RL18120 C16MPS1	RL18120 C20MPS1
2	106	S1-07347222001	PNL, BLW DECK, FURNACE, B-CABINET	S1-07347222001	1				
2	106	S1-07347223001	PNL, BLW DECK, FURNACE, C-CABINET, 4T	S1-07347223001		1		1	
2	106	S1-07347224001	PNL, BLW DECK, FURNACE, C-CABINET, 5T	S1-07347224001			1		1
2	107	S1-07348802001	BRACKET, BLOWER TRACK	S1-07348802001	2	2	2	2	2
2	108	S1-02818895000	BRACKET, DOOR, FURNACE, A-CABINET	S1-02818895000	1				
2	108	S1-02818897000	BRACKET, DOOR, FURNACE, C-CABINET	S1-02818897000		1	1	1	1
2	110	S1-07327827002	PNL, BLOCKOFF 17.5 INCH CABINET	S1-07327827002	1				
2	110	S1-07327827003	PNL, BLOCKOFF 21 INCH CABINET	S1-07327827003		1	1	1	1
2	111	S1-07327841002	CASING, BOTTOM, 17.5 INCH, CHAMPAGNE	S1-07327841002	1				
2	111	S1-07327841003	CASING, BOTTOM, 21.5 INCH, CHAMPAGNE	S1-07327841003		1	1	1	1
2	115	S1-07327828002	PNL, TOP 17.5 INCH CABINET	S1-07327828002	1				
2	115	S1-07327828003	PNL, TOP 80/100 21 INCH CABINET	S1-07327828003		1	1		
2	115	S1-07327828004	PNL, TOP 120 21 INCH CABINET	S1-07327828004				1	1
2	120	S1-02815853000	PLUG, SEAL 7/8 INCH HOLE BLACK	S1-02815853000	2	2	2	2	2
2	121	S1-02815516000	PLUG, VENT HOLE	S1-02815516000	2	2	2	2	2

2	601	S1-37339584000	DOOR,UPPER ASSEM,17.5,SMOOTH GRANITE	S1-37339584000	1				
2	601	S1-37339585000	DOOR,UPPER ASSEM,21.0,SMOOTH GRANITE	S1-37339585000		1	1	1	1
2	602	S1-37339570000	DOOR ASSEM,17.5,SMOOTH GRANITE	S1-37339570000	1				
2	602	S1-37339571000	DOOR ASSEM,21.0,SMOOTH GRANITE	S1-37339571000		1	1	1	1
2	605	S1-02818916000	KNOB,ASSY,HANDLE/LATCH	S1-02818916000	2	2	2	2	2
2	606	S1-02818916000	KNOB,ASSY,HANDLE/LATCH	S1-02818916000	2	2	2	2	2
2	610	S1-02538899000	SIGHT GLASS OVAL	S1-02538899000	1	1	1	1	1

Section	Callout	Replacement Part #	Description	Original Part #	RL18130 D20MPS1				
2	106	S1-07347225001	PNL,BLW DECK,FURNACE,D-CABINET	S1-07347225001	1				
2	107	S1-07348802001	BRACKET,BLOWER TRACK	S1-07348802001	2				
2	108	S1-02818898000	BRACKET,DOOR,FURNACE,D-CABINET	S1-02818898000	1				
2	110	S1-07327827004	PNL,BLOCKOFF 24.5 INCH CABINET	S1-07327827004	1				
2	111	S1-07327841004	CASING,BOTTOM 24.5 INCH,CHAMPAGNE	S1-07327841004	1				
2	115	S1-07327828005	PNL, TOP 24.5 INCH CABINET	S1-07327828005	1				
2	120	S1-02815853000	PLUG,SEAL 7/8 INCH HOLE BLACK	S1-02815853000	2				
2	121	S1-02815516000	PLUG,VENT HOLE	S1-02815516000	2				
2	601	S1-37339586000	DOOR,UPPER ASSEM,24.5,SMOOTH GRANITE	S1-37339586000	1				
2	602	S1-37339572000	DOOR ASSEM,24.5,SMOOTH GRANITE	S1-37339572000	1				
2	605	S1-02818916000	KNOB,ASSY,HANDLE/LATCH	S1-02818916000	2				
2	606	S1-02818916000	KNOB,ASSY,HANDLE/LATCH	S1-02818916000	2				
2	610	S1-02538899000	SIGHT GLASS OVAL	S1-02538899000	1				

Suggested stocking items are shown with shaded item number.



## Section : INDOOR BLOWER PARTS

Section	Callout	Replacement Part #	Description	Original Part #	RL18040 A12MPS1	RL18060 A12MPS1	RL18080 B12MPS1	RL18080 C16MPS1	RL18080 C20MPS1
4	301	S1-37347154001	HOUSING,BLOWER,11-8	S1-37347154001	1	1	1		
4	301	S1-37347155001	HOUSING,BLOWER,11-10	S1-37347155001				1	
4	301	S1-37347156001	HOUSING,BLOWER,11-11	S1-37347156001					1
4	305	S1-32440863009	MTR,BLW,PRGRM,1/2,115V,ECM,BROAD OCEAN	S1-32440863009	1				
4	305	S1-32440863010	MTR,BLW,PRGRM,1/2,115V,ECM,BROAD OCEAN	S1-32440863010		1			
4	305	S1-32440863011	MTR,BLW,PRGRM,1/2,115V,ECM,BROAD OCEAN	S1-32440863011			1		
4	305	S1-32440863012	MTR,BLW,PRGRM,1/2,115V,ECM,BROAD OCEAN	S1-32440863012				1	
4	305	S1-32440865007	MTR,BLW,PRGRM,1.0,115V,ECM,BROAD OCEAN	S1-32440865007					1
4	305A	S1-02440863000	MTR,BLW,UNPRGRM,1/2,115V,ECM,BROAD OCEAN	S1-02440863000	1	1	1	1	
4	305A	S1-02440865000	MTR,BLW,UNPRGRM,1.0,115V,ECM,BROAD OCEAN	S1-02440865000					1
4	306	S1-02619654014	WHL,BLW,11 X 10,CW,1/2 BORE	S1-02619654014				1	
4	306	S1-02619654709	WHL,BLW,11 X 8,CW,1/2 BORE	S1-02619654709	1	1	1		
4	306	S1-02638510000	WHL,BLW 11X11,CW,1/2" BORE	S1-02638510000					1
4	307	S1-32650612001	MOUNT,ASSEMBLY,BLWR MOTOR	S1-32650612001	1	1	1	1	1

4	311	S1-02108968000	NUT,HEX,SELF LOCKING,1/4-20	S1-02108968000	1	1	1	1	1
---	-----	----------------	-----------------------------	----------------	---	---	---	---	---

Section	Callout	Replacement Part #	Description	Original Part #	RL18100 B12MPS1	RL18100 C16MPS1	RL18100 C20MPS1	RL18120 C16MPS1	RL18120 C20MPS1
4	301	S1-37347154001	HOUSING,BLOWER,11-8	S1-37347154001	1				
4	301	S1-37347155001	HOUSING,BLOWER,11-10	S1-37347155001		1		1	
4	301	S1-37347156001	HOUSING,BLOWER,11-11	S1-37347156001			1		1
4	305	S1-32440863013	MTR,BLW,PRGRM,1/2,115V,ECM,BROAD OCEAN	S1-32440863013	1				
4	305	S1-32440864003	MTR,BLW,PRGRM,3/4,115V,ECM,BROAD OCEAN	S1-32440864003		1			
4	305	S1-32440864004	MTR,BLW,PRGRM,3/4,115V,ECM,BROAD OCEAN	S1-32440864004				1	
4	305	S1-32440865008	MTR,BLW,PRGRM,1.0,115V,ECM,BROAD OCEAN	S1-32440865008			1		
4	305	S1-32440865009	MTR,BLW,PRGRM,1.0,115V,ECM,BROAD OCEAN	S1-32440865009					1
4	305A	S1-02440863000	MTR,BLW,UNPRGRM,1/2,115V,ECM,BROAD OCEAN	S1-02440863000	1				
4	305A	S1-02440864000	MTR,BLW,UNPRGRM,3/4,115V,ECM,BROAD OCEAN	S1-02440864000		1		1	
4	305A	S1-02440865000	MTR,BLW,UNPRGRM,1.0,115V,ECM,BROAD OCEAN	S1-02440865000			1		1
4	306	S1-02619654014	WHL,BLW,11 X 10,CW,1/2 BORE	S1-02619654014		1		1	
4	306	S1-02619654709	WHL,BLW,11 X 8,CW,1/2 BORE	S1-02619654709	1				
4	306	S1-02638510000	WHL,BLW 11X11,CW,1/2" BORE	S1-02638510000			1		1
4	307	S1-32650612001	MOUNT,ASSEMBLY,BLWR MOTOR	S1-32650612001	1	1	1	1	1
4	311	S1-02108968000	NUT,HEX,SELF LOCKING,1/4-20	S1-02108968000	1	1	1	1	1

Section	Callout	Replacement Part #	Description	Original Part #	RL18130 D20MPS1				
4	301	S1-37347156001	HOUSING,BLOWER,11-11	S1-37347156001	1				
4	305	S1-32440865010	MTR,BLW,PRGRM,1.0,115V,ECM,BROAD OCEAN	S1-32440865010	1				
4	305A	S1-02440865000	MTR,BLW,UNPRGRM,1.0,115V,ECM,BROAD OCEAN	S1-02440865000	1				
4	306	S1-02638510000	WHL,BLW 11X11,CW,1/2" BORE	S1-02638510000	1				
4	307	S1-32650612001	MOUNT,ASSEMBLY,BLWR MOTOR	S1-32650612001	1				
4	311	S1-02108968000	NUT,HEX,SELF LOCKING,1/4-20	S1-02108968000	1				

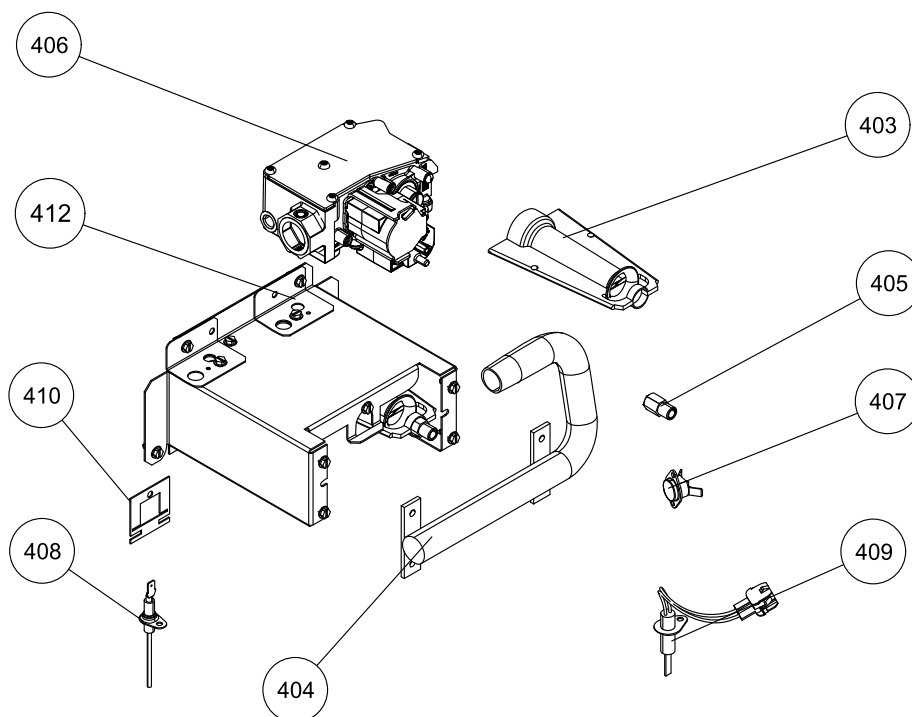
Suggested stocking items are shown with shaded item number.





5A	201	S1-37327830008	HEAT EXCHANGER,7 CELL 24.5 INCH CABINET	S1- 37327830 008	1				
5A	204	S1-02541319000	CNTRL,TEMP,165 OPEN,125 CLOSE,AUTO	S1- 02541319 000	1				

Suggested stocking items are shown with shaded item number.



## Section : BURNER ASSEMBLY

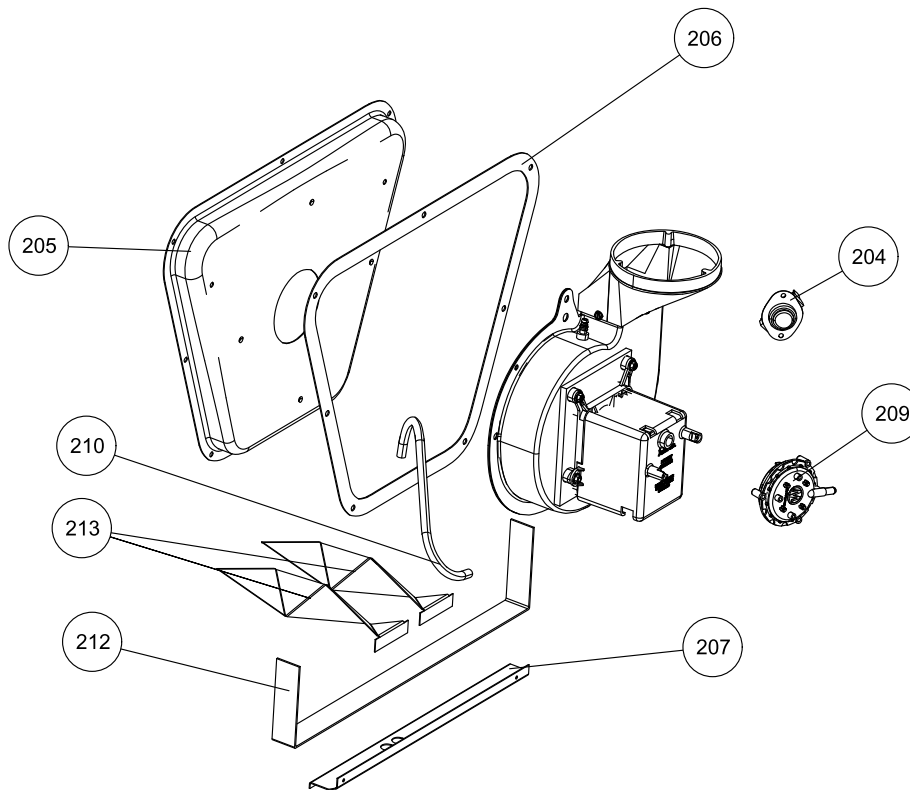
Section	Callout	Replacement Part #	Description	Original Part #	RL18040 A12MPS1	RL18060 A12MPS1	RL18080 B12MPS1	RL18080 C16MPS1	RL18080 C20MPS1
5B	402	S1-07339394001	SUPPORT,BURNER	S1-07339394001			1	1	1
5B	403	S1-02920482000	BRNR,GAS,MAIN	S1-02920482000	2	3	4	4	4
5B	404	S1-02924466000	MANIFOLD,GAS,2 CELL	S1-02924466000	1				
5B	404	S1-02924467000	MANIFOLD,GAS,3 CELL	S1-02924467000		1			
5B	404	S1-02924468000	MANIFOLD,GAS,4 CELL	S1-02924468000			1	1	1
5B	405	S1-02921182245	ORIFICE,BURNER DRILL SIZE 45	S1-02921182245	2	3	4	4	4
5B	406	S1-32544123000	KIT,VLV,GAS,WR SINGLE STAGE,J STYLE	S1-32544123000	1	1	1	1	1
5B	407	S1-02541318000	SWITCH,LIMIT 250 MANUAL RESET	S1-02541318000	1	2	2	2	2
5B	408	S1-02537499000	SENSOR,FLAME,GAS	S1-02537499000	1	1	1	1	1
5B	409	S1-02545231000	IGNITER,SILICON NITRIDE,KYOCERA	S1-02545231000	1	1	1	1	1
5B	410	S1-37327943001	KIT,BURNER ALIGNMENT BRKT	S1-37327943001	1	2	2	2	2
5B	411	S1-37339494001	KIT,BURNER PLATE,95%,40M	S1-37339494001	1				
5B	411	S1-37339494002	KIT,BURNER PLATE,95%,60M	S1-37339494002		1			
5B	411	S1-37339494003	KIT,BURNER PLATE,95%,80M	S1-37339494003			1	1	1

5B	412	S1-07348801001	BRACKET,IGNITER/FLAME SENSOR	S1-07348801001	2	2	2	2	2
----	-----	----------------	------------------------------	----------------	---	---	---	---	---

Section	Callout	Replacement Part #	Description	Original Part #	RL18100 B12MPS1	RL18100 C16MPS1	RL18100 C20MPS1	RL18120 C16MPS1	RL18120 C20MPS1
5B	403	S1-02920482000	BRNR,GAS,MAIN	S1-02920482000	5	5	5	6	6
5B	404	S1-02924469000	MANIFOLD,GAS,5 CELL	S1-02924469000	1	1	1		
5B	404	S1-02924470000	MANIFOLD,GAS,6 CELL	S1-02924470000				1	1
5B	405	S1-02921182245	ORIFICE,BURNER DRILL SIZE 45	S1-02921182245	5	5	5	6	6
5B	406	S1-32544123000	KIT,VLV,GAS,WR SINGLE STAGE,J STYLE	S1-32544123000	1	1	1	1	1
5B	407	S1-02541318000	SWITCH,LIMIT 250 MANUAL RESET	S1-02541318000	2	2	2	2	2
5B	408	S1-02537499000	SENSOR,FLAME,GAS	S1-02537499000	1	1	1	1	1
5B	409	S1-02545231000	IGNITER,SILICON NITRIDE,KYOCERA	S1-02545231000	1	1	1	1	1
5B	410	S1-37327943001	KIT,BURNER ALIGNMENT BRKT	S1-37327943001	2	2	2	2	2
5B	411	S1-37339494004	KIT,BURNER PLATE,95%,100M	S1-37339494004	1	1	1		
5B	411	S1-37339494005	KIT,BURNER PLATE,95%,120M	S1-37339494005				1	1
5B	412	S1-07348801001	BRACKET,IGNITER/FLAME SENSOR	S1-07348801001	2	2	2	2	2

Section	Callout	Replacement Part #	Description	Original Part #	RL18130 D20MPS1				
5B	403	S1-02920482000	BRNR,GAS,MAIN	S1-02920482000	7				
5B	404	S1-02924471000	MANIFOLD,GAS,7 CELL	S1-02924471000	1				
5B	405	S1-02921182245	ORIFICE,BURNER DRILL SIZE 45	S1-02921182245	7				
5B	406	S1-32544123000	KIT,VLV,GAS,WR SINGLE STAGE,J STYLE	S1-32544123000	1				
5B	407	S1-02541318000	SWITCH,LIMIT 250 MANUAL RESET	S1-02541318000	2				
5B	408	S1-02537499000	SENSOR,FLAME,GAS	S1-02537499000	1				
5B	409	S1-02545231000	IGNITER,SILICON NITRIDE,KYOCERA	S1-02545231000	1				
5B	410	S1-37327943001	KIT,BURNER ALIGNMENT BRKT	S1-37327943001	2				
5B	412	S1-07348801001	BRACKET,IGNITER/FLAME SENSOR	S1-07348801001	2				

Suggested stocking items are shown with shaded item number.


**Section : INDUCED DRAFT ASSEMBLY COMPONENTS**

Section	Callout	Replacement Part #	Description	Original Part #	RL18040 A12MPS1	RL18060 A12MPS1	RL18080 B12MPS1	RL18080 C16MPS1	RL18080 C20MPS1
5C	205	S1-07327826001	PAN,VENT,COMBUSTION W/GASKET,SMALL	S1-07327826001	1	1	1	1	1
5C	206	S1-02815510000	GASKET,INTAKE PAN,040-100	S1-02815510000	1	1	1	1	1
5C	207	S1-07327829001	BAFFLE,FLUE 80% 040	S1-07327829001	1				
5C	207	S1-07327829002	BAFFLE,FLUE 80% 060	S1-07327829002		1			
5C	207	S1-07339493001	BAFFLE,FLUE	S1-07339493001			1	1	1
5C	208	S1-02649688000	BLWR,COMBUSTION,80M	S1-02649688000			1	1	1
5C	208	S1-02649694000	BLOWER,COMBUSTION,40-60 BTU	S1-02649694000	1	1			
5C	209	S1-02440872000	SWITCH,PRESSURE,0.75	S1-02440872000	1	1	1	1	1
5C	210	S1-02812499001	TUBING,RUBBER,,.313OD,.188ID,FT,GREY(M10)	S1-02812499001	1	1	1	1	1
5C	212	S1-02809443001	GASKET,FIBERGLASS	S1-02809443001	2	2	2	3	3
5C	213	S1-02635452000	LOW NOX BURNER SCREEN 8 X 8 MESH	S1-02635452000	2	3	4	4	4

Section	Callout	Replacement Part #	Description	Original Part #	RL18100 B12MPS1	RL18100 C16MPS1	RL18100 C20MPS1	RL18120 C16MPS1	RL18120 C20MPS1
5C	205	S1-07327826001	PAN,VENT,COMBUSTION W/GASKET,SMALL	S1-07327826001	1	1	1		

5C	205	S1-07327826002	VENT PAN,COMBUSTION W/GASKET,LARGE	S1-07327826002					1	1
5C	206	S1-02815510000	GASKET,INTAKE PAN,040-100	S1-02815510000	1	1	1			
5C	206	S1-02815511000	GASKET,INTAKE PAN,120-140	S1-02815511000					1	1
5C	207	S1-07327829005	BAFFLE,FLUE 80% 120M	S1-07327829005					1	1
5C	208	S1-02649695000	BLOWER,COMBUSTION,80-100 BTU	S1-02649695000	1	1	1			
5C	208	S1-02649696000	BLOWER,COMBUSTION,120-140 BTU	S1-02649696000					1	1
5C	209	S1-02440872000	SWITCH,PRESSURE,0.75	S1-02440872000					1	1
5C	209	S1-02440873000	SWITCH,PRESSURE,0.85	S1-02440873000	1	1	1			
5C	210	S1-02812499001	TUBING,RUBBER,.313OD,.188ID,FT,GREY(M10)	S1-02812499001	1	1	1		1	1
5C	212	S1-02809443001	GASKET,FIBERGLASS	S1-02809443001	2	3	3		3	3
5C	213	S1-02635452000	LOW NOX BURNER SCREEN 8 X 8 MESH	S1-02635452000	5	5	5		6	6

Section	Callout	Replacement Part #	Description	Original Part #	RL18130 D20MPS1					
5C	205	S1-07327826002	VENT PAN,COMBUSTION W/GASKET,LARGE	S1-07327826002	1					
5C	206	S1-02815511000	GASKET,INTAKE PAN,120-140	S1-02815511000	1					
5C	207	S1-07327829006	BAFFLE,FLUE 80% 140M	S1-07327829006	1					
5C	208	S1-02649696000	BLOWER,COMBUSTION,120-140 BTU	S1-02649696000	1					
5C	209	S1-02440873000	SWITCH,PRESSURE,0.85	S1-02440873000	1					
5C	210	S1-02812499001	TUBING,RUBBER,.313OD,.188ID,FT,GREY(M10)	S1-02812499001	1					
5C	212	S1-02809443001	GASKET,FIBERGLASS	S1-02809443001	3					
5C	213	S1-02635452000	LOW NOX BURNER SCREEN 8 X 8 MESH	S1-02635452000	7					

Suggested stocking items are shown with shaded item number.

## Section : MISCELLANEOUS

Section	Callout	Replacement Part #	Description	Original Part #	RL18040 A12MPS1	RL18060 A12MPS1	RL18080 B12MPS1	RL18080 C16MPS1	RL18080 C20MPS1
8	NS	1152887	LABEL - BLANK WIRING DIAGRAM 8.5 X 11.0	1152887	1	1	1	1	1
8	NS	S1-02527642000	CABLE STRAP,BLACK	S1-02509607000	5	5	5	5	1
8	NS	S1-02522638000	BUSHING,SNAP	S1-02522638000	1	1	1	1	1
8	NS	S1-02816488000	BADGING,GUARDIAN,ID,ML (M24)	S1-02816488000	1	1	1	1	1
8	NS	S1-02816489000	BADGING,EVCON,ID,ML (M24)	S1-02816489000	1	1	1	1	1

Section	Callout	Replacement Part #	Description	Original Part #	RL18100 B12MPS1	RL18100 C16MPS1	RL18100 C20MPS1	RL18120 C16MPS1	RL18120 C20MPS1
8	NS	1152887	LABEL - BLANK WIRING DIAGRAM 8.5 X 11.0	1152887	1	1	1	1	1
8	NS	S1-02527642000	CABLE STRAP,BLACK	S1-02509607000	5	1	6	6	1
8	NS	S1-02522638000	BUSHING,SNAP	S1-02522638000	1	1	1	1	1
8	NS	S1-02816488000	BADGING,GUARDIAN,ID,ML (M24)	S1-02816488000	1	1	1	1	1
8	NS	S1-02816489000	BADGING,EVCON,ID,ML (M24)	S1-02816489000	1	1	1	1	1

Section	Callout	Replacement Part #	Description	Original Part #	RL18130 D20MPS1				
8	NS	1152887	LABEL - BLANK WIRING DIAGRAM 8.5 X 11.0	1152887	1				
8	NS	S1-02527642000	CABLE STRAP,BLACK	S1-02509607000	6				
8	NS	S1-02522638000	BUSHING,SNAP	S1-02522638000	1				
8	NS	S1-02816488000	BADGING,GUARDIAN,ID,ML (M24)	S1-02816488000	1				
8	NS	S1-02816489000	BADGING,EVCON,ID,ML (M24)	S1-02816489000	1				

Suggested stocking items are shown with shaded item number.

## Section : WIRING DIAGRAM / VFD PARAMETER

Section	Callout	Replacement Part #	Description	Original Part #	RL18040 A12MPS1	RL18060 A12MPS1	RL18080 B12MPS1	RL18080 C16MPS1	RL18080 C20MPS1
9	NS	6088313	WIRING DIAGRAM - 8.5 X 11.0, 80% SS	6088313	1	1	1	1	1

Section	Callout	Replacement Part #	Description	Original Part #	RL18100 B12MPS1	RL18100 C16MPS1	RL18100 C20MPS1	RL18120 C16MPS1	RL18120 C20MPS1
9	NS	6088313	WIRING DIAGRAM - 8.5 X 11.0, 80% SS	6088313	1	1	1	1	1

Section	Callout	Replacement Part #	Description	Original Part #	RL18130 D20MPS1				
9	NS	6088313	WIRING DIAGRAM - 8.5 X 11.0, 80% SS	6088313	1				

Suggested stocking items are shown with shaded item number.



Model series repair parts lists are generated for each model number from the last production bill of material.

Major components and suggested stocking items are shown with shaded item number.

Repair parts lists are subject to change without notice.

TO ORDER AUTHORIZED FACTORY REPLACEMENT PARTS - Contact your Source1 HVAC Parts Distributor or visit our website at [www.Source1Parts.com](http://www.Source1Parts.com) for a Distributor and Dealer listing.

Copyright © 2025 by Johnson Controls Inc. All rights reserved.

Johnson Controls Unitary Products