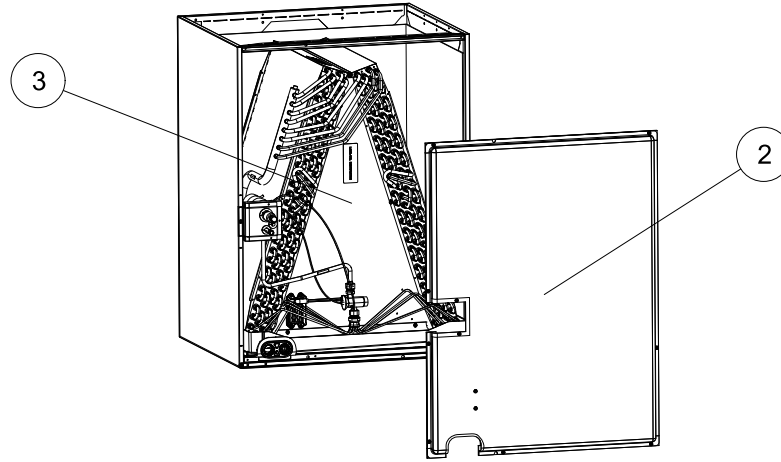


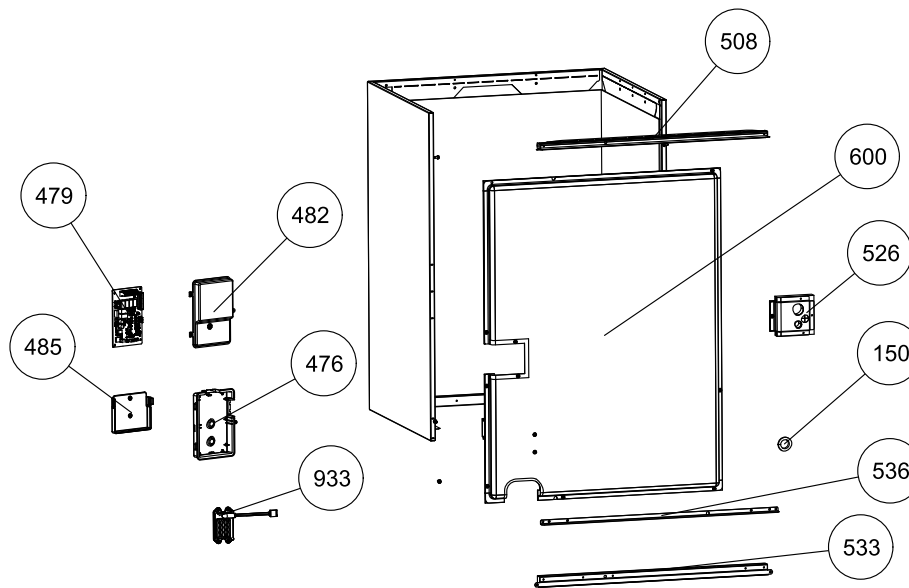
## REPAIR PARTS LIST

PRINTED DATE: 1/28/2025

The information provided to you may include Johnson Controls' trade secrets, intellectual property, and confidential business information (including its Bill of Materials), and this information is to be kept in the strictest confidence and not to be disclosed to any third party without the prior written consent of Johnson Controls.



Section	Description
2	SHEET METAL / CABINET PARTS
3	REFRIGERATION SYSTEM
8	MISCELLANEOUS



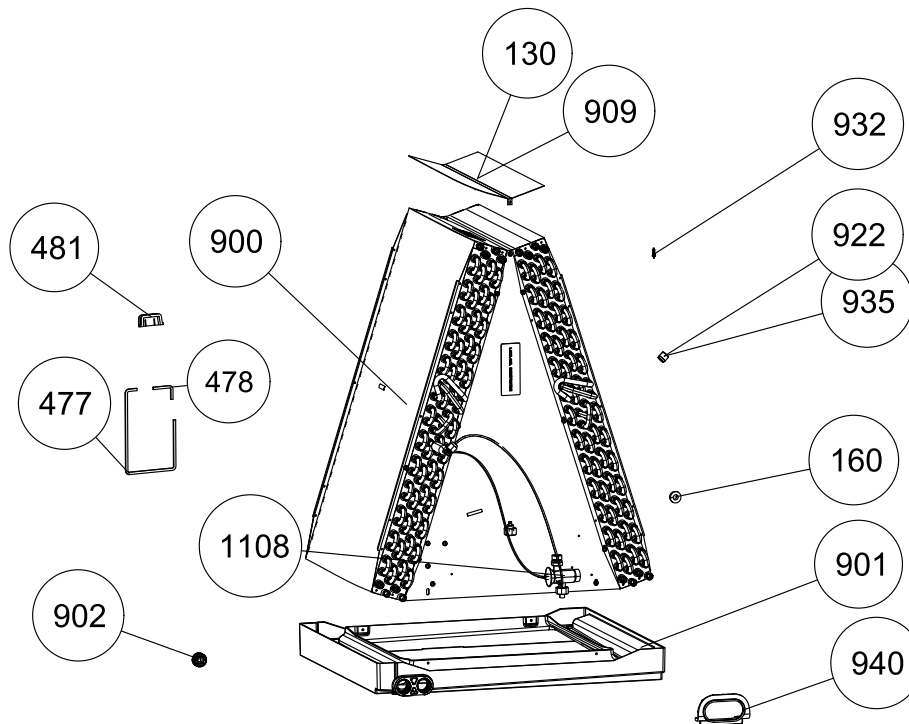
## Section : SHEET METAL / CABINET PARTS

Section	Callout	Replacement Part #	Description	Original Part #	CTF42C5 CES1	CTF48C5 CFS1	CTF48D5 CFS1	CTF60C5 CGS1	CTF60C5 CHS1
2	150	S1-02818924000	GROMMET,0.406 INCH ID X 0.750 INCH	S1-02818924000	2	2	2	2	2
2	150	S1-02813205000	GROMMET 7/8 INCH	S1-02813205000	1	1	1	1	1
2	479	S1-03103893000	BOARD,CIRCUIT,CTF,CTU	S1-03103893000	1	1	1	1	1
2	480	S1-02553926000	HARNESS,MITIGATION CONTROL,10 PIN	S1-02553926000	1	1	1	1	1
2	508	S1-37348916001	BRACE,ASSEM,CABINET W/INSUL,21.0	S1-37348916001	1	1		1	1
2	508	S1-37348917001	BRACE,ASSEM,CABINET W/INSUL,24.5	S1-37348917001			1		
2	526	S1-37349362001	PNL,ASSEM,TUBING ACCESS W/INSUL,MMIST	S1-37349362001	1	1	1	1	1
2	533	S1-37349360001	BRACE,ASSEM,LOWER W/INSUL,21.0,MMIST	S1-37349360001	1	1		1	1
2	533	S1-37349361001	BRACE,ASSEM,LOWER W/INSUL,24.5,MMIST	S1-37349361001			1		
2	536	S1-07349041001	ANGLE,TRANSITION,21.0,MMIST	S1-07349041001	1	1		1	1
2	536	S1-07349042001	ANGLE,TRANSITION,24.5,MMIST	S1-07349042001			1		
2	600	S1-37349350001	PNL,ASSY,LWR ACCESS,24.4 X 21.0,UP MMIST	S1-37349350001	1				
2	600	S1-37349351001	PNL,ASSY,LWR ACCESS,26.4 X 21.0,UP MMIST	S1-37349351001		1			
2	600	S1-37349352001	PNL,ASSY,LWR ACCESS,32.4 X 21.0,UP MMIST	S1-37349352001				1	

2	600	S1-37349353001	PNL,ASSY,LWR ACCESS,36.6 X 21.0,UP MMIST	S1-37349353001					1
2	600	S1-37349355001	PNL,ASSY,LWR ACCESS,26.4 X 24.5,UP MMIST	S1-37349355001				1	

Section	Callout	Replacement Part #	Description	Original Part #	CTF60D5 CGS1	CTF60D5 CHS1	CTF60D5 CJS1		
2	150	S1-02818924000	GROMMET,0.406 INCH ID X 0.750 INCH	S1-02818924000	2	2	2		
2	150	S1-02813205000	GROMMET 7/8 INCH	S1-02813205000	1	1	1		
2	479	S1-03103893000	BOARD,CIRCUIT,CTF,CTU	S1-03103893000	1	1	1		
2	480	S1-02553926000	HARNESS,MITIGATION CONTROL,10 PIN	S1-02553926000	1	1	1		
2	508	S1-37348917001	BRACE,ASSEM,CABINET W/INSUL,24.5	S1-37348917001	1	1	1		
2	526	S1-37349362001	PNL,ASSEM,TUBING ACCESS W/INSUL,MMIST	S1-37349362001	1	1	1		
2	533	S1-37349361001	BRACE,ASSEM,LOWER W/INSUL,24.5,MMIST	S1-37349361001	1	1	1		
2	536	S1-07349042001	ANGLE,TRANSITION,24.5,MMIST	S1-07349042001	1	1	1		
2	600	S1-37349356001	PNL,ASSY,LWR ACCESS,32.2 X 24.5,UP MMIST	S1-37349356001	1		1		
2	600	S1-37349357001	PNL,ASSY,LWR ACCESS,36.6 X 24.5,UP MMIST	S1-37349357001		1			

Suggested stocking items are shown with shaded item number.



## Section : REFRIGERATION SYSTEM

Section	Callout	Replacement Part #	Description	Original Part #	CTF42C5 CES1	CTF48C5 CFS1	CTF48D5 CFS1	CTF60C5 CGS1	CTF60C5 CHS1
3	130	6423959	CONTROL BOX ASY - A2L	6423959	1	1	1	1	1
3	130	S1-07348954001	SHIELD,BLOWOFF,3 ROW	S1-07348954001	1	1	1	1	1
3	900	S1-37349034001	COIL,W/DRAINPAN,3R/22/21.0,A LUM,FLEX	S1-37349034001	1				
3	900	S1-37349035001	COIL,W/DRAINPAN,3R/24/21.0,A LUM,FLEX	S1-37349035001		1			
3	900	S1-37349036001	COIL,W/DRAINPAN,3R/28/21.0,A LUM,FLEX	S1-37349036001				1	
3	900	S1-37349370001	COIL,W/DRAINPAN,3R/24/24.5,A LUM,FLEX	S1-37349370001			1		
3	900	S1-37349372001	COIL,W/DRAINPAN,3R/32/21.0,A LUM,FLEX	S1-37349372001					1
3	901	S1-02818864000	PAN,DRAIN,3R,21.0 IN,A-COIL	S1-02818864000	1	1		1	1
3	901	S1-02818865000	PAN,DRAIN,3R,24.5 IN,A-COIL	S1-02818865000			1		
3	902	S1-02812480001	PLUG,DRAIN PAN	S1-02812480001	1	1	1	1	1
3	922	S1-02310745000	CAP,SEAL,KNURLED 7/1	S1-02310745000	1	1	1	1	1
3	932	S1-02202475700	CORE,VLV,V PORT (M10)	S1-02202475700	1	1	1	1	1
3	940	S1-02818913000	GASKET,DRAIN PAN	S1-02818913000	1	1	1	1	1
3	1108	S1-1TVM5C1	TXV KIT,R454B,3/4 INCH,CHATLEFF CONN 5C	S1-1TVM5C1	1	1	1	1	1

Section	Callout	Replacement Part #	Description	Original Part #	CTF60D5 CGS1	CTF60D5 CHS1	CTF60D5 CJS1		
3	130	6423959	CONTROL BOX ASY - A2L	6423959	1	1	1		
3	130	S1-07348954001	SHIELD,BLOWOFF,3 ROW	S1-07348954001		1			
3	130	S1-07348955001	SHIELD,BLOWOFF,4 ROW	S1-07348955001			1		
3	900	S1-37349038001	COIL,W/DRAINPAN,3R/32/24.5,A LUM,FLEX	S1-37349038001		1			
3	900	S1-37349371001	COIL,W/DRAINPAN,4R/28/24.5,A LUM,FLEX	S1-37349371001			1		
3	901	S1-02818865000	PAN,DRAIN,3R,24.5 IN,A-COIL	S1-02818865000		1			
3	901	S1-02818866000	PAN,DRAIN,4R,24.5 IN,A-COIL	S1-02818866000			1		
3	902	S1-02812480001	PLUG,DRAIN PAN	S1-02812480001		1	1		
3	922	S1-02310745000	CAP,SEAL,KNURLED 7/1	S1-02310745000	1	1	1		
3	932	S1-02202475700	CORE,VLV,V PORT (M10)	S1-02202475700	1	1	1		
3	940	S1-02818913000	GASKET,DRAIN PAN	S1-02818913000	1	1	1		
3	1108	S1-1TVM5C1	TXV KIT,R454B,3/4 INCH,CHATLEFF CONN 5C	S1-1TVM5C1	1	1	1		

Suggested stocking items are shown with shaded item number.

## Section : MISCELLANEOUS

Section	Callout	Replacement Part #	Description	Original Part #	CTF42C5 CES1	CTF48C5 CFS1	CTF48D5 CFS1	CTF60C5 CGS1	CTF60C5 CHS1
8	NS	S1-02131419000	WASHER, TXV	S1-02131419000	1	1	1	1	1
8	NS	S1-02554126000	SENSOR, A2L REFRIGERANT, 96 INCH, SENSATA	S1-02554126000	1	1	1	1	1

Section	Callout	Replacement Part #	Description	Original Part #	CTF60D5 CGS1	CTF60D5 CHS1	CTF60D5 CJS1		
8	NS	S1-02131419000	WASHER, TXV	S1-02131419000	1	1	1		
8	NS	S1-02554126000	SENSOR, A2L REFRIGERANT, 96 INCH, SENSATA	S1-02554126000	1	1	1		
8	NS	S1-02812480001	PLUG, DRAIN PAN	S1-02812480001	1				
8	NS	S1-02818865000	PAN, DRAIN, 3R, 24.5 IN, A-COIL	S1-02818865000	1				
8	NS	S1-07348954001	SHIELD, BLOWOFF, 3 ROW	S1-07348954001	1				
8	NS	S1-37349037001	COIL, W/DRAIN PAN, 3R/28/24.5, ALUM, FLEX	S1-37349037001	1				

Suggested stocking items are shown with shaded item number.

Model series repair parts lists are generated for each model number from the last production bill of material.

Major components and suggested stocking items are shown with shaded item number.

Repair parts lists are subject to change without notice.

TO ORDER AUTHORIZED FACTORY REPLACEMENT PARTS - Contact your Source1 HVAC Parts Distributor or visit our website at [www.Source1Parts.com](http://www.Source1Parts.com) for a Distributor and Dealer listing.

Copyright © 2025 by Johnson Controls Inc. All rights reserved.

Johnson Controls Unitary Products